



SKIOLD HAMMER MILL DM6-G

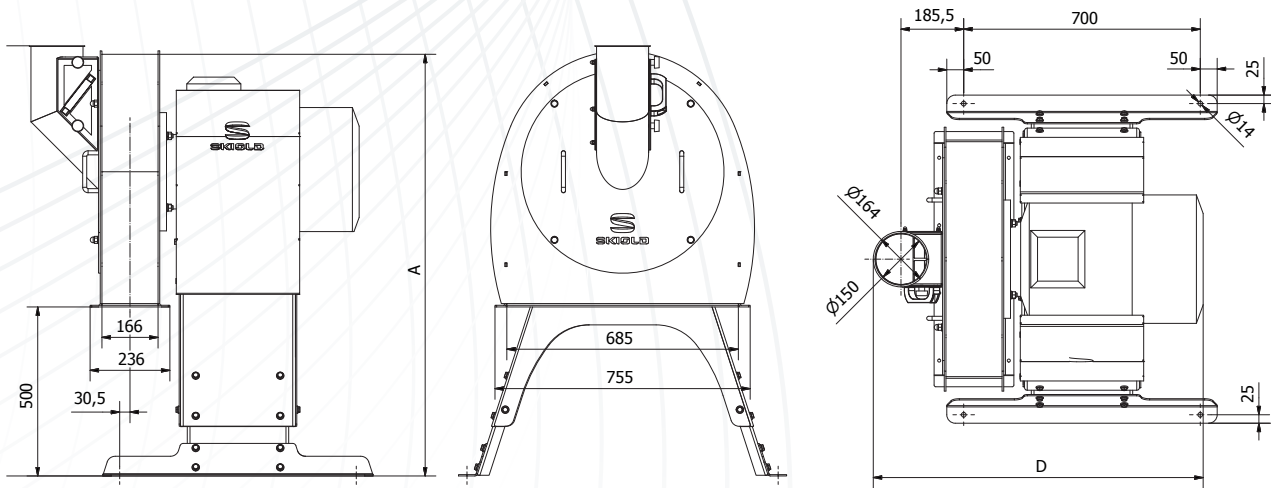


SKIOLD MAKES THE DIFFERENCE!

SKIOLD HAMMER MILL DM6-G

- Low heat generation
- Less condensation
- Low power consumption
- High capacity
- Simple and reliable construction
- Special version for CCM maize
- 7,5 - 22kW motor

SKIOLD HAMMER MILL DM6-G



TECHNICAL SPECIFICATIONS

DM6-G

Motor:	7,5 - 11 - 15 - 18,5 - 22 kW 2800 rpm
Screen area:	2700 cm ²
Screen types:	Ø plate screen / □ inter-woven screen
Number of hammers:	28
Noise level:	Approx. 85 dBa
Shipping weight:	205 - 245 - 255 - 270 - 315 kg
Guiding capacity:	350-6500

CAPACITY

Measured in storage dry and well cleaned crops, max. kg/h with motor sizes 7.5 - 22 kW

Material Ø 4,0 mm screen □ 4,0 mm inter-woven screen

Barley 950-3200 1200-4000

Wheat 1250-4200 1250-4200

Oats 350-1400 500-1800

Maize 1650-5300 1950-6500

The capacity varies depending on screen size, motor size, moisture contents and type of cereal

Measure sketch DM6-G:

DM6-G	A	B	C	D	E
7,5 kW	1102-1400	452-750	1200-1500	830	971-1165
11 kW	1130-1400	480-750	1230-1500	940	
15 kW				995	
18,5 kW				1025	
22 kW	1150-1400	500-750	1250-1500	1025	

NB! When grinding moist material the capacity will be reduced by 5% each time the moisture contents are increased by 1%.

DM6-G may be used for grinding of ordinary cleaned small-grained seed crops in storage dry condition. Wheat, barley etc. can furthermore be ground from gas proof silo with up to 25% moisture content.