



SKIOLD HAMMER MILL DM6-M

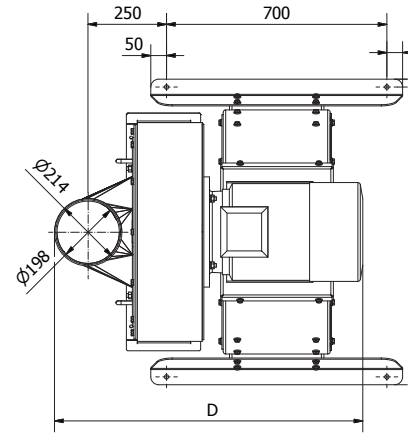
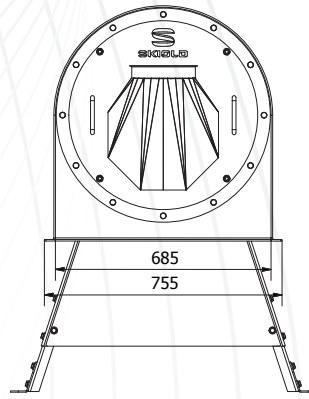
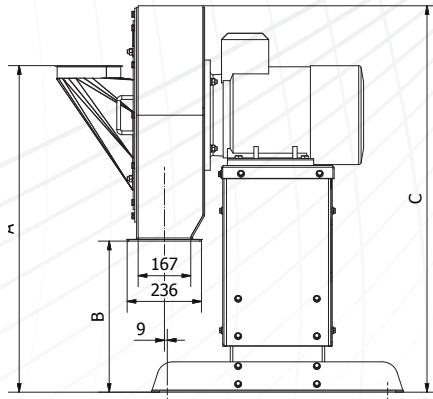


SKIOLD MAKES THE DIFFERENCE!

SKIOLD HAMMER MILL DM6-M

- Low heat generation
- Less condensation
- Low power consumption
- High capacity
- Simple and reliable construction
- Special version for CCM maize
- 7,5 - 22kW motor

SKIOLD HAMMER MILL DM6-M



TECHNICAL SPECIFICATIONS

DM6-M

Motor:

Screen area: 2700 cm²

Screen types: Ø plate screen / □ inter-woven screen

Number of hammers: 28

Noise level: Approx. 85 dBa

Shipping weight: 255 - 265 - 280 kg

Guiding capacity: 350-6500

Capacity

Measured in storage dry and well cleaned crops, max. kg/h with motor sizes 7.5 - 22 kW

Material 4,0 mm screen 4,0 mm inter-woven screen

Barley 950-3200 1200-4000

Wheat 1250-4200 1250-4200

Oats 350-1400 500-1800

Maize 1650-5300 1950-6500

The capacity varies depending on screen size, motor size, moisture contents and type of cereal

Measure sketch DM6-G:

| DM6-M | A | B | C | D | E |
|---------|-----------|---------|-----------|------|----------|
| 11 kW | 1039-1310 | 480-750 | 1230-1500 | 982 | 971-1146 |
| 15 kW | | | | | |
| 18,5 kW | | | | 1037 | |

NB! When grinding moist material the capacity will be reduced by 5% each time the moisture contents are increased by 1%.

DM6-M is intended for maize with up to 40% moisture content. The mill can also be used for dry crops like the DM6-G.