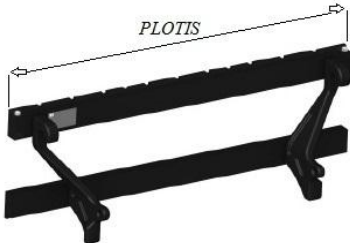


# ELI2 EuroForkCarrier (Šakių laikikliai euro paletėms)

THE clear-view EuroForkCarrier made by VETTER

clear-view EuroForkCarrier

ELI2 atviro tipo šakių laikiklis		Kaina litais be PVM		
Article No.	Capacity (Keliamoji galia)	Width (Plotis)	Price Kaina Lt.	
ELI2-1612	<b>NEW</b> 1600 kg	1200 mm	920	
ELI2-1615	1600 kg	1500 mm	1215	
ELI2-2012	2000 kg	1200 mm	998	
ELI2-2015	2000 kg	1500 mm	1313	
ELI2-2512	2500 kg	1200 mm	1235	
ELI2-2515	2500 kg	1500 mm	1540	



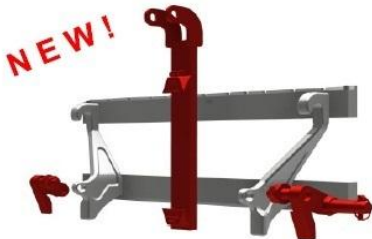
clear-view EuroForkCarrier with 2 QualityForks

ELI2 atviro tipo šakių laikiklis su 2 (vnt) šakėmis		Kaina litais be PVM		
Article No.	Capacity (Keliamoji galia)	Width (Plotis)	Fork length (Šakių ilgis)	Price Kaina Lt.
ELI2-1612-08040090020761	1600 kg	1200 mm	900 mm	1530
ELI2-1612-08040100020761	1600 kg	1200 mm	1000 mm	1540
ELI2-1612-08040110020761	1600 kg	1200 mm	1100 mm	1562
ELI2-1612-08040120020761	1600 kg	1200 mm	1200 mm	1587
ELI2-1615-08040090020761	1600 kg	1500 mm	900 mm	1823
ELI2-1615-08040100020761	1600 kg	1500 mm	1000 mm	1835
ELI2-1615-08040110020761	1600 kg	1500 mm	1100 mm	1856
ELI2-1615-08040120020761	1600 kg	1500 mm	1200 mm	1881
ELI2-2012-08040090020761	2000 kg	1200 mm	900 mm	1608
ELI2-2012-08040100020761	2000 kg	1200 mm	1000 mm	1620
ELI2-2012-08040110020761	2000 kg	1200 mm	1100 mm	1641
ELI2-2012-08040120020761	2000 kg	1200 mm	1200 mm	1666
ELI2-2015-08040090020761	2000 kg	1500 mm	900 mm	1922
ELI2-2015-08040100020761	2000 kg	1500 mm	1000 mm	1935
ELI2-2015-08040110020761	2000 kg	1500 mm	1100 mm	1956
ELI2-2015-08040120020761	2000 kg	1500 mm	1200 mm	1980
ELI2-2512-10040090020761	2500 kg	1200 mm	900 mm	1980
ELI2-2512-10040100020761	2500 kg	1200 mm	1000 mm	2000
ELI2-2512-10040110020761	2500 kg	1200 mm	1100 mm	2010
ELI2-2512-10040120020761	2500 kg	1200 mm	1200 mm	2030
ELI2-2515-10040090020761	2500 kg	1500 mm	900 mm	2287
ELI2-2515-10040100020761	2500 kg	1500 mm	1000 mm	2295
ELI2-2515-10040110020761	2500 kg	1500 mm	1100 mm	2316
ELI2-2515-10040120020761	2500 kg	1500 mm	1200 mm	2337



Adapter for rear-mounted 3-point-linkage for ELI2 EuroForkCarrier

Priedai šakių laikikliui prie traktoriaus galinės pakabos (kat. II)		Kaina litais be PVM	
Article No.	Description	Price Kaina Lt.	
ELI2-KAT2-ADAPTER	Adapter for rear-mounted 3-point-linkage Cat. II for ELI2 EuroForkCarrier consisting of: 1 adapter mast for upper hitch point 1 adapter of right lower hitch attachment 1 adapter of left lower lower hitch attachment	810	



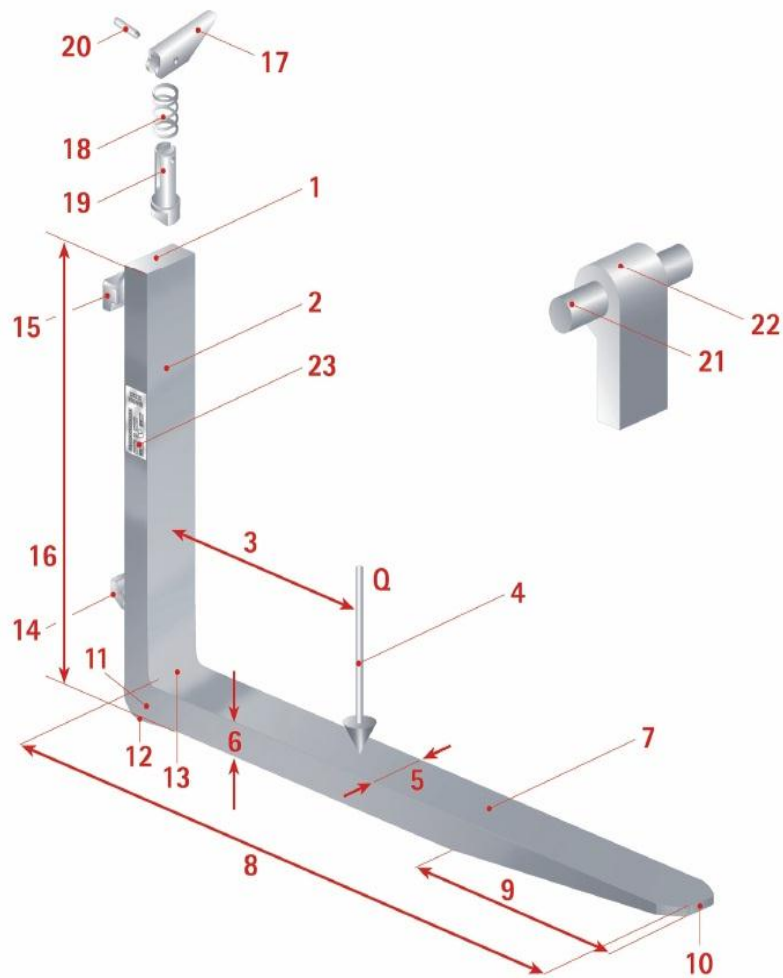
**ATTENTION:**

Depending on the 3-point-linkage we recommend ISO B Forks with higher drop (clearance)!

**SVARBU !!!**

Kainos nurodytos be transportavimo išlaidų Vokietija-Lietuva. Įkainiai gali skirtis priklausomai nuo siuntos dydžio.

# Definition of terms



1	Fork head	13	Inner heel
2	Back / shank	14	Lower hook
3	Load centre (LC)	15	Upper hook
4	Load (Q)	14 + 15	Suspension
5	Fork width (GB)	16	Back height (RH)
6	Fork thickness (GD)	17	Lever
5 x 6	Cross-section (width x thickness)	18	Spring
7	Fork blade	19	Bolt
8	Blade length (L) (measurement from inner side of the back to the tip)	20	Pin
9	Taper	17-20	Locking device / positioning lock
10	Fork tip	21	Shaft
11	Heel	22	Eye / tube
12	Wear zone	23	Marking / Stamping