

# **SPARE PARTS**

# **SKIOLD**

# **FEED MILLING**

# **PROGRAMME**

**ONLY ORIGINAL SPARE PARTS ARE ALLOWED**

**IF MORE THAN ONE SPARE PART IS NEEDED IN THE MACHINE, THE NECESSARY QUANTITY IS INDICATED BY THE FIGURE IN BRACKETS AFTER THE DESCRIPTION**

## **C O N T E N T S**

HAMMER MILLS DM-2 AND BM-2 .....	4
HAMMER MILLS TYPE DM-3, CM-3 AND BM-3 .....	6
HAMMER MILL 3S.....	9
HAMMER MILL BM-5 .....	11
MAIZE MILL CM-4-750.....	15
MAIZE MILL BM-5-1000 .....	17
GRAVITY MILL ST4 .....	19
HAMMER MILL KM-1 .....	21
HAMMER MILL RVO .....	23
DISC MILL SK2500 AND SK5000, NEW TYPE.....	28
DISC MILL SK2500 AND SK5000, OLD TYPE.....	33
DISC MILL SK2500 AND SK5000 .....	37
Changing old model (up to approx. April 2005) from automatic to manual regulation (drawing 269016): .....	37
Changing old model (up to approx. April 2005) from manual to automatic regulation (drawing 269014): .....	37
DISC MILL SK2500 AND SK5000 .....	39
Changing new model (from approx. April 2005) from automatic to manual regulation (drawing 269016): .....	39
Changing new model (from approx. April 2005) from manual to automatic regulation (drawing 269014): .....	39
STRUCTURE MILL SM2000.....	41
STRUCTURE MILL SM4000.....	44
CRUSHER KB80 .....	46
GRAIN CRUSHERS KB160/2 AND KB160/3.....	47
GRAIN CRUSHERS KB200/2 AND KB200/3 – OLD MODEL .....	52
GRAIN CRUSHERS KB300/3 – OLD MODEL .....	53
GRAIN CRUSHER KB200/3 AND KB300/3 – NEW MODEL.....	56
GRAIN CRUSHER KB100 .....	60
GRAIN CRUSHER KB150 .....	62
PRE-CRUSHER .....	64
VERTICAL MIXER LAMIX.....	65
DIAGONAL MIXER UNI-MIX 500 .....	67
DIAGONAL MIXER UNI-MIX 1000, OLD MODEL.....	69
DIAGONAL MIXER UNI-MIX 1500 GM .....	73
HORIZONTAL MIXER H-1000 .....	74
PRE-BIN FOR HORIZONTAL MIXER TYPE 3 .....	82
POST-BIN FOR HORIZONTAL MIXER TYPE 3 .....	83
POST-BIN FOR HORIZONTAL MIXER TYPE 3 .....	84
BOOSTER FAN DME .....	85
BOOSTER FAN, OLD TYPE (SQUARE).....	86
MOLASSES PUMP TYPE 590046 .....	87
SLUICE VALVE Ø 150 MM .....	89
TWO-WAY VALVE .....	90
TWO-WAY VALVE –Switches .....	91
TWO-WAY VALVE –Switches .....	92

**SPARE PARTS LIST****POS. ORDER NO. DESCRIPTION**

FLEX AUGERS, OLD MODEL WITH ORANGE TUBES.....	92
FLEX AUGERS, OLD MODEL WITH ORANGE TUBES.....	93
FLEX AUGER, CURRENT MODEL WITH BLUE PIPES .....	103
PIPE AUGER 102 MM (NEW MODEL).....	108
PIPE AUGER 102 MM (OLD MODEL) .....	109
PIPE AUGER 152 MM (OLD MODEL) .....	110
MILLMIX UNIT COMPACT (UNI-MIX mixer 500 and hammer mill .....	122
PICCOLO milling/mixing plant .....	126
TOMAL PROPORTIONER, OLD MODEL (taken out of production) .....	129
TOMAL PROPORTIONER, VERY OLD MODEL (taken out of production) .....	129
TOMIX FINE PROPORTIONER TYPE 2/63 .....	131
TOMIX PROPORTIONER TYPE 40/1300 .....	131
TOMIX PROPORTIONER TYPE 125/2000.....	133
Belt weigher type 2000.....	137
STRAW CUTTER TYPE BM, 7.5 KW .....	151
STRAW CUTTER TYPE CM, 11 KW .....	153
STRAW FINE CUTTER TYPE CM, 11 KW.....	155
STRAW CUTTER TYPE JIK TURBO .....	157
STRAW SHREDDER TYPE JIK CLEAN .....	160
DUST SEPARATOR TYPE SP1000 .....	164
STRAW SHREDDER TYPE JIK WIND.....	165
SCREEN CLEANER, OLD MODEL .....	169
SCREEN CLEANER, NEW MODEL.....	171

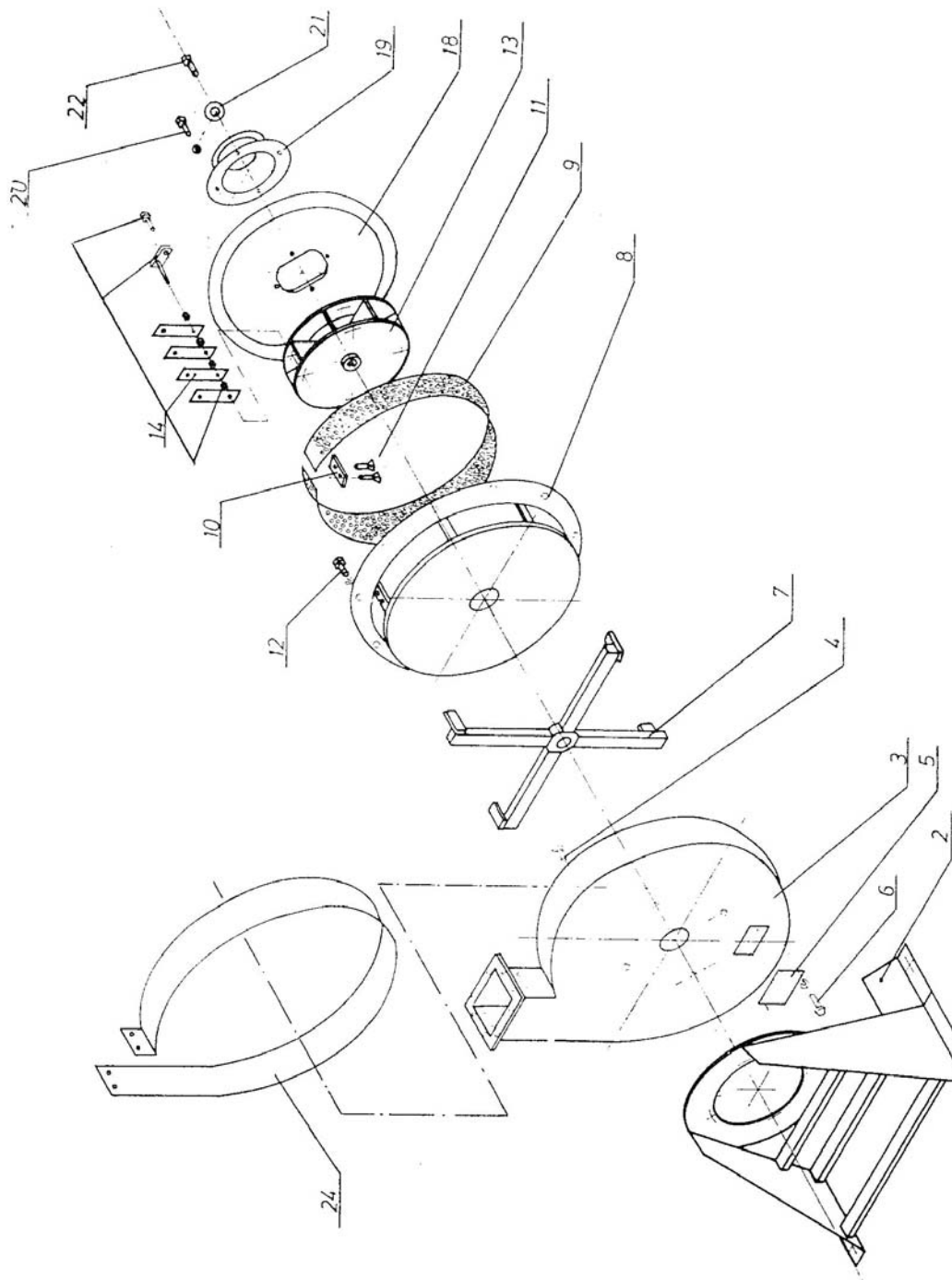
## **HAMMER MILLS DM-2 AND BM-2**

3	211000	Mill housing
4	6004008	Allen screw M12x45 MK for motor (4)
	6000922	Nut M12 (4)
	6001169	Spring washer M12 (4)
5	213008	Blind plate
6	6000445	Set screw M8x12 (4) DM-2
	6001171	Spring washer M8 (4) DM-2
7	210017	2-winged fan
	210016	4-winged fan
	210136	PROF-LINE 2-winged fan
	210137	PROF-LINE 4-winged fan
8	211031	Grinding chamber
9	210009	Screen 3.0 mm, T=2 mm
	210129	Screen 3.0 mm, T=3 mm
	210008	Screen 3.5 mm, T=2 mm
	210130	Screen 3.5 mm, T=3 mm
	210007	Screen 4.0 mm, T=2 mm
	210148	Screen 4.0 mm, T=4 mm
	210096	Screen 4.5 mm, T=2 mm
	210149	Screen 4.5 mm, T=4 mm
	210006	Screen 5.0 mm, T=2 mm
	210147	Screen 5.0 mm, T=5 mm
	210055	Screen 6.0 mm, T=5 mm
10	211151	Grinding bridge with screws
12	6000454	Set screw M10x16 (12)
	6001172	Spring washer M10 (12)
13	211121	Rotor complete DM-2
	211003	Rotor complete BM-2
14	211124	Hammer set complete with hammer bolts etc.
	183008	Set hammers
	211150	Set hammer bolts with screws
	183004	Distance ring (8)
18	211005	Mill cover
	6302006	Handwheel for mill cover (4)
19	210019	Suction inlet
20	6000446	Set screw M8x15 (4)
	6001171	Spring washer 8 mm (4)
21	216114	Tension disc DM-2
22	6000474	Bolt for motor shaft M12x80 DM-2
	6001169	Spring washer 12 mm
24	214002	Reinforcement liner
	211147	PROF-LINE reinforcement liner, upper, with bolts
	211148	PROF-LINE reinforcement liner, lower, with bolts
	6302006	Hand wheel for front plate (4)
	216012	Parallel key for rotor and fan BM-2
	214010	Distance ring at fan BM-2



211152	Reinforcement complete with bolts
211153	Tightening for grinding chamber
211154	Tightening for cover
211022	By pass flange
211030	Set of 4 wings
6004005	Bolt M8x20 for set of wings (8)
6205063	Pin M8x20 for set of wings (8)

**Spare parts drawing for hammer mills DM-2 and BM-2**



**HAMMER MILLS TYPE DM-3, CM-3 AND BM-3**

3	221069	Mill housing for reinforcement
	221081	Mill housing without reinforcement
	221144	PROF-LINE mill housing for reinforcement
7	220017	4-winged fan
	220015	8-winged fan
	220143	PROF-LINE 4-winged fan
	220144	PROF-LINE 8-winged fan
	221065	Fan with loose wings, 4-winged
	221066	Fan with loose wings, 8-winged
	221064	4 loose wings
	221063	8 loose wings
	6004005	Screw for loose wings (8-16)
	6205061	Split for loose wings (8-16)
8	221072	Grinding chamber
9	220009	Screen 3.0 mm, T=2 mm
	220160	Screen 3.0 mm, T=3 mm
	220008	Screen 3.5 mm, T=2 mm
	220161	Screen 3.5 mm, T=3 mm
	220007	Screen 4.0 mm, T=2 mm
	220196	Screen 4.0 mm, T=4 mm
	220131	Screen 4.5 mm, T=2 mm
	220197	Screen 4.5 mm, T=4 mm
	220006	Screen 5.0 mm, T=2 mm
	220195	Screen 5.0 mm, T=5 mm
10	221158	Grinding bridge with screws
12	6000454	Set screw M10x16 (12)
	6001172	Spring washer M10 (12)
13	221121	Rotor complete DM-3
	221003	Rotor complete BM-3 / CM-3
	221143	PROF-LINE rotor complete
14	221124	Hammer set complete with hammer bolts etc.
	223021	Set hammers
	221139	PROF-LINE hammer set complete with hammer bolts etc.
	221157	Set hammer bolts with screws
	183004	Distance ring (12)
18	211005	Mill cover
	6302006	Handwheel for mill cover (4)
	221164	PROF-LINE mill cover
	6000446	Set screw M8x16 (4)
	6001171	Spring washer 8 mm (4)
21	224007	Tension washer CM-3
	226147	Tension washer DM-3
22	6000716	Bolt for motor shaft M16x50 CM-3
	6000724	Bolt for motor shaft M16x60 DM-3
	6001173	Spring washer 16 mm
24	221071	Reinforcement liner for mill

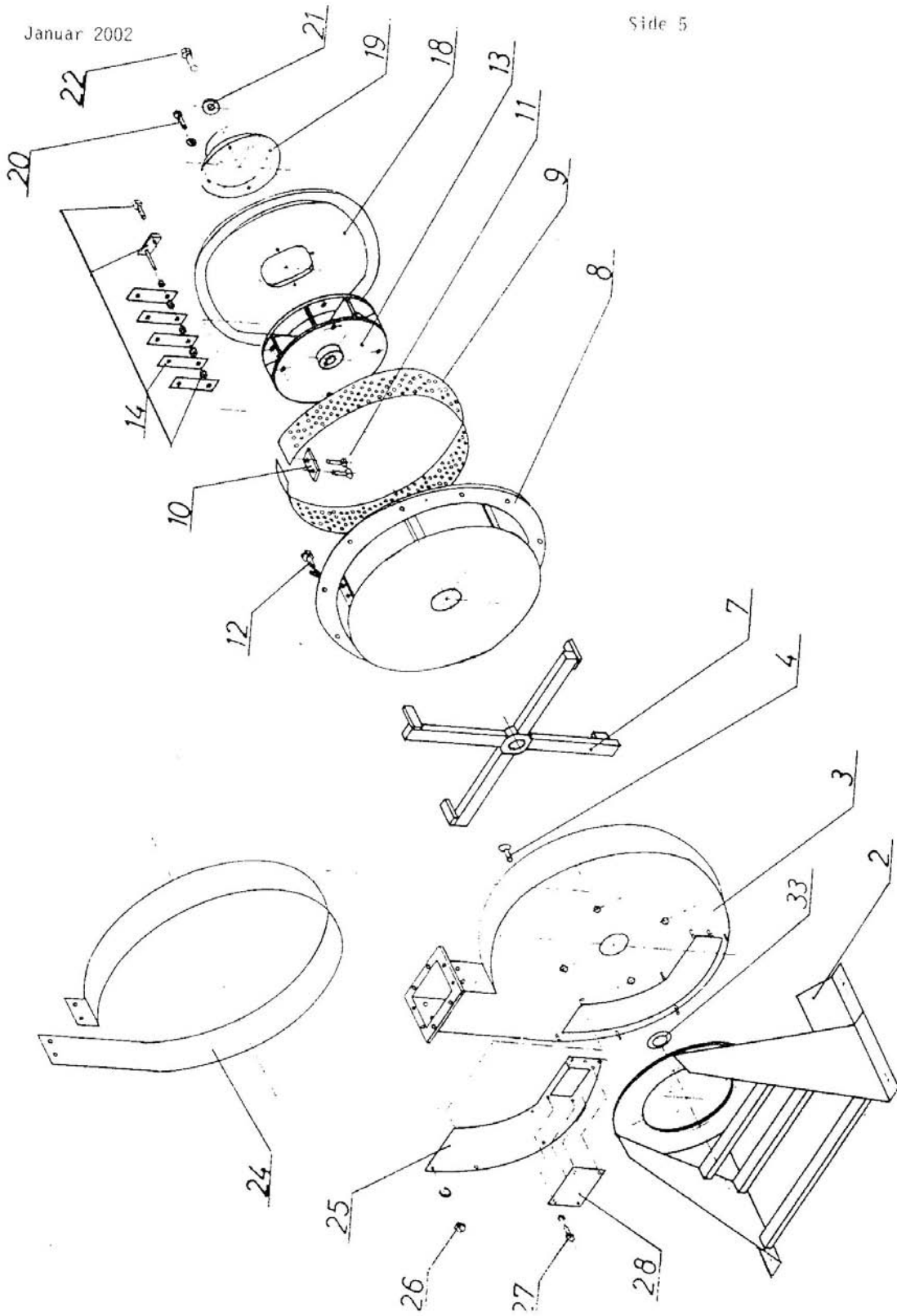
**SPARE PARTS LIST**  
**POS. ORDER NO.**

**DESCRIPTION**



		housing 221069 and 221081
	221005	Reinforcement liner for old mill housing 221000
	221137	PROF-LINE reinforcement liner, upper, with bolts
	221138	PROF-LINE reinforcement liner, lower, with bolts
25	221074	Wearing plate CM-3/DM-3
	221161	Wearing plate DM-3 PROF-LINE
26	6000920	Nut M8 (8) CM-3/DM-3
	6001171	Spring washer M8 (8) CM-3/DM-3
27	6000445	Set screw M8x12 (4)
	6001171	Spring washer M8 (4)
	143011	Parallel key for rotor and fan
	211152	Reinforcement
	211153	Tightening for grinding chamber
	211154	Tightening for cover
	224019	Set of distance rings for mounting between rotor and fan (2 x 2 mm + 1 x 1 mm)
	6004010	Bolt for mounting of motor (4)
	6001173	Washer for above (4)
	6000923	Nut for above (4)
	220036	Bypass suction 80 mm

Spare parts drawing hammer mills DM-3, BM-3 and CM-3



## HAMMER MILL 3S

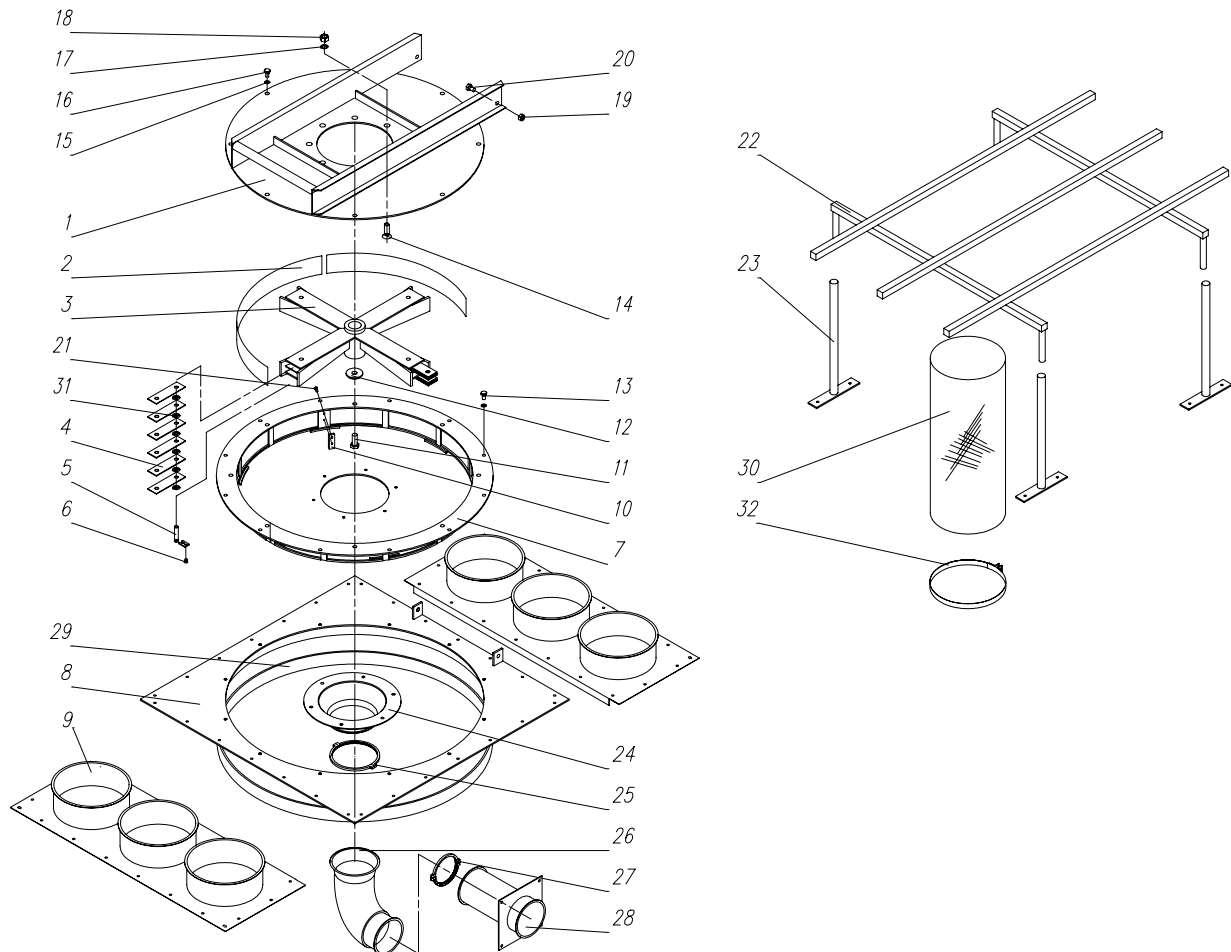
1	271109	Motor bracket 11-18.5 kW
	271122	Motor bracket 5.5-7.5 kW
		<b>Screens (1 set = 3 pcs.):</b>
2	270058	2.5 mm, T = 2 mm
	270059	3.0 mm, T = 3 mm
	270060	3.5 mm, T = 3 mm
	270110	4.0 mm, T = 4 mm
	270123	4.5 mm, T = 4 mm
	270104	5.0 mm, T = 5 mm
	270093	6.0 mm, T = 5 mm
3	271068	4-winged rotor 11-18.5 kW
	271069	2-winged rotor 5.5-7.5 kW
	271100	4-winged rotor 5.5-7.5 kW
4	201094	Hammer set (24 pcs.) for 271068
	201093	Hammer set (16 pcs.) for 271069
	271147	Hammer set complete for 271068
	271146	Hammer set complete for 271069
5	271099	Hammer bolt set (4 pcs.) for 271068
	271098	Hammer bolt set (2 pcs.) for 271069
6	6004003	Allen screw M6x10 (4 or 2)
7	271107	Grinding chamber
8	271120	Mounting plate
9	591177	Filter connection (2)
10	271105	Set grinding bridges with screws
11	6000479	Set screw M16x40 for 11-18.5 kW
	6000468	Set screw M12x40 for 5.5-7.5 kW
12	226147	Washer Ø 60 mm 11-18.5 kW
	216114	Washer Ø 50 mm 5.5-7.5 kW
13	6000455	Set screw M10x20 (12)
14	6004010	Allen screw M16x50MK 11-18.5 kW for motor (8)
	6004008	Allen screw M12x45MK 5.5-7.5 kW for motor (4)
15	6002005	Washer 10 mm (8)
16	6000455	Set screw M10x20 (8)
17	6001173	Spring washer 16 mm 11-18.5 kW for motor (8)
	6001169	Spring washer 12 mm 5.5-7.5 kW for motor (4)
18	6000923	Nut M16 11-18.5 kW for motor (8)
	6000922	Nut M12 5.5-7.5 kW for motor (4)
19	6001016	Lock nut M12 (2)
20	6000464	Set screw M12x25 (2)
22	591179	Filter stand
23	591181	Legs (4)
		<b>Suction pipe Ø 120 mm:</b>
24	271129	Ø 150 mm suction cone
25+27	1820028	Ø 150 mm clip
26	271126	Ø 150/Ø 120 mm 90° suction bend

**SPARE PARTS LIST**  
**POS. ORDER NO. DESCRIPTION**



28	271130	Ø 120 mm suction pipe for diagonal mixer
	271123	Ø 120 mm suction pipe for mill hopper
		<b>Suction pipe Ø 100 mm:</b>
24	271114	Ø 100 mm suction cone
25+27	1820026	Ø 100 mm clip
26	1810067G	Ø 100 mm 90° suction bend
28	271117	Ø 100 mm suction pipe for diagonal mixer
	271077	Ø 100 mm suction pipe for mill hopper
		<b>Suction pipe Ø 80 mm:</b>
24	271111	Ø 80 mm suction cone
25+27	686029	Rubber joint
26	681044	90° bend
28	271113	Ø 80 mm suction pipe for diagonal mixer
	271118	Ø 80 mm suction pipe for mill hopper
29	271138	Protection cover (3)
30	7004242	Filter bag (12 m)
31	6002006	Distance ring (16 or 12)
32	591183	Clip (6)

**Spare Parts Drawing Hammer Mill Type 3S**



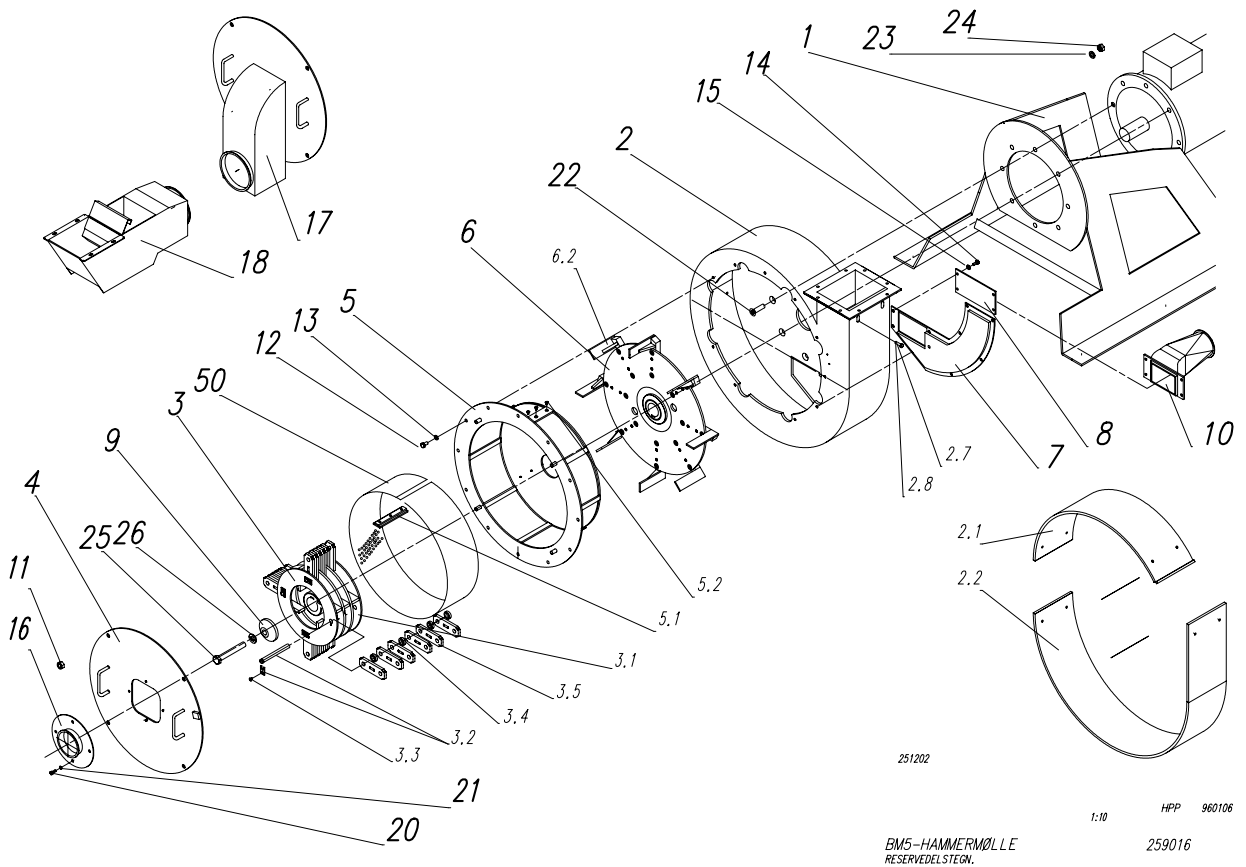
**HAMMER MILL BM-5**

1	251000B	Main frame
2	251001G	Mill housing
2.1	251006	Upper protection liner
2.2	251007	Lower protection liner
	6000456	Set screw M10x25 for protection liner (8)
	6002005	Washer M10 for protection liner (8)
3	251004	Rotor complete
3.1	254015	Hammers (set of 24 pcs.)
3.2	251201	Hammer bolt (4)
3.3	6004003	Allen screw M6x10 (4)
3.4	254002	Distance ring for hammers (16)
4	251005B	Front cover for TOMIX
	250015	Inlet for front cover for TOMIX
	250070	Bypass inlet for TOMIX
	6000446	Set screw M8x16 for bypass inlet (4)
	6001171	Spring washer M8 for bypass inlet (4)
5	251019G	Grinding chamber
	6000455	Bolt M10x20 for grinding chamber (12)
	6001172	Washer M10 for grinding chamber (12)
5.1	251204	Grinding bridge with screws
6	251066	Disc fan complete with 8 wings
6.2	251018	Wings (set of 8 pcs.)
	6004013	Screw M10x30 for wing (16)
	6206050	Split for wing (16)
7	251203G	Wearing plate
	6000447	Set screw M8x20 (5)
	6001171	Spring washer M8 (5)
8	254021	Blind plate
	6000447	Set screw M8x20 for blind plate (4)
9	254023	Head for nave
11	6001073	Top nut M12 for front cover (4)
12	6000455	Set screw M10x20 (12)
13	6001172	Spring washer M10 (12)
17	251013	Front cover for feeding device
18	230002	Feeding device
22	6004011	Screw M16x60 (8)
23	6001173	Washer (8)
24	6000923	Nut (8)
25	6000693	Steel bolt M20x160
26	6001167	Spring washer M20
50	250047	Screen 0.7 mm, T = 2 mm
	250055	Screen 1.0 mm, T = 2 mm
	250001	Screen 1.5 mm, T = 2 mm
	250003	Screen 2.0 mm, T = 2 mm
	250004	Screen 2.5 mm, T = 2 mm
	250060	Screen 3.0 mm, T = 3 mm
	250073	Screen 3.5 mm, T = 3 mm



250071	Screen 4.0 mm, T = 4 mm
250072	Screen 4.5 mm, T = 4 mm
250074	Screen 5.0 mm, T = 5 mm
250021	Screen 6.0 mm, T = 5 mm
250022	Screen 8.0 mm, T = 5 mm
250023	Screen 10.0 mm, T = 5 mm
250024	Screen 12.0 mm, T = 5 mm
250025	Screen 14.0 mm, T = 5 mm
250026	Screen 16.0 mm, T = 5 mm
211006	Screen extractor
2340096	Flange motor 37 kW 2800 rpm
2700053	Key for 37 kW motor

**Spare parts drawing hammer mill BM-5**

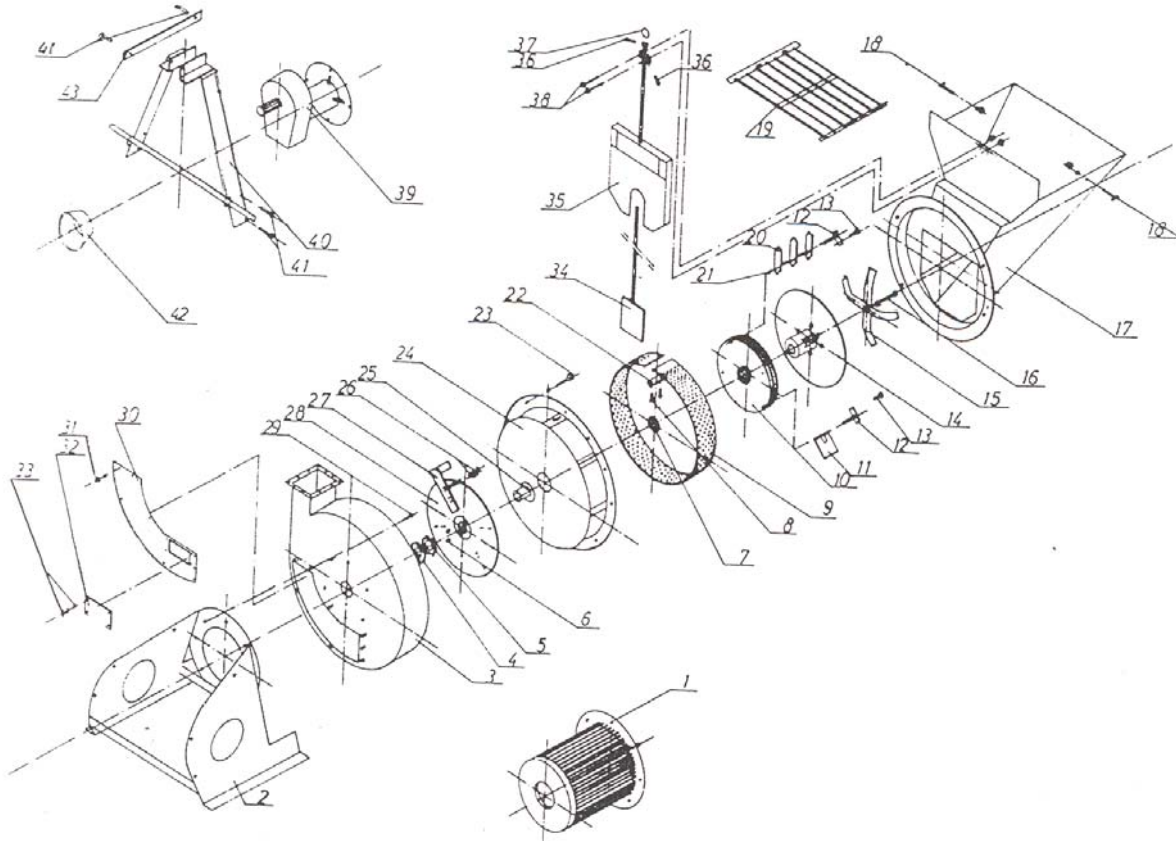




**MAIZE MILL CM-3-500**

3	221069	Mill housing
4	6406027	Lock nut KM-13
5	6406053	Lock washer MB-13
7	224019	Distance ring
9	220060	Screens 6 – 8 – 10 - 12 – 14 – 16 mm
10	221003	Rotor complete
11	221080	Set of hammers
12	221075	Hammer bolt (4)
13	6004003	Allen screw M6x10 (4)
14	221055	Precutter complete
15	226038	Precutter, short
	226061	Precutter, long
	6001173	Spring washer 16 mm
17	201036	Hopper complete
21	183004	Distance ring (12)
22	221158	Grinding bridge with screws
23	6000454	Set screw M10x16 (12)
	6001172	Spring washer M10 (12)
24	221072	Grinding chamber
26	6004005	Set screw M8x20 (8)
	6205063	Spiral split 8x20 mm (8)
27	221048	Set of wings (4)
28	221040	Special fan, 4 wings
30	221074	Wearing plate
31	6000920	Nut M8 (8)
	6001171	Spring washer 8 mm (8)
32	213008	Blind plate
33	6000445	Set screw M8x12 (4)
	6001171	Spring washer 8 mm (4)
39	6801027	Gearbox for PTO 540 rpm
40	220042	3-point suspension
41	6000466	Set screw M12x30 (8)
	6000922	Nut M12 (8)
	6001169	Spring washer 12 mm (8)
42	7004045	Protection guard
	235113	Distance ring between rotor and fan

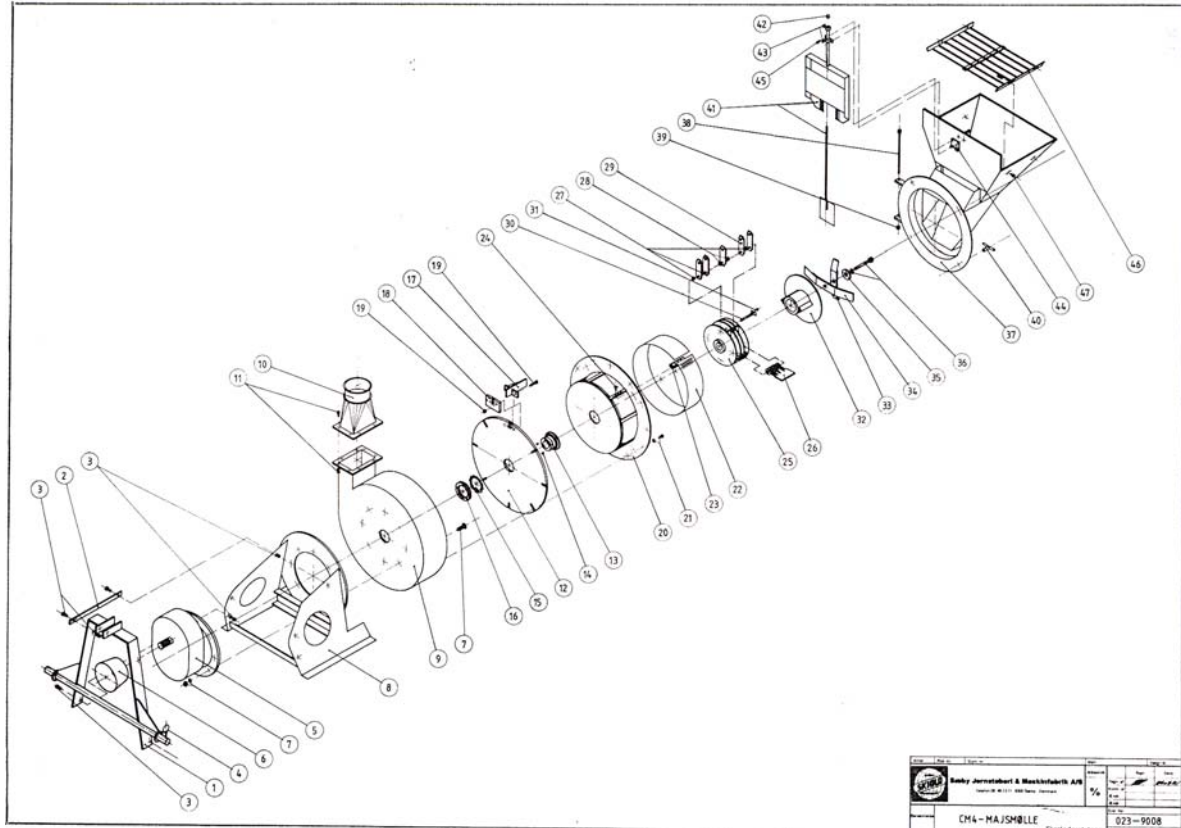
Spare parts drawing maize mill CM-3-500



**MAIZE MILL CM-4-750**

5	6801025	Gearbox for PTO 1080 rpm
8	231001	Support
9	231061	Mill housing
12	231064	4-winged fan CM-4
	231041	4-winged fan BM-4
17	231082	Set of fan wings (8)
20	231068	Grinding chamber
22		Screens 6 – 8 – 10 – 12 – 14 – 16 mm
23	231073	Grinding bridge
	6004004	Allen screw M8x16 for grinding bridge (3)
26	231067	Rotor complete
27.1	233004	Set of hammers (10)
27.2	231057	Set of pendular hammers
		Do. with 2 hammer bolts and screws
27.3	183003	Distance ring 9.5 mm (6)
27.4	183004	Distance ring 6.0 mm (4)
30	235114	Hammer bolt (4)
31	6004003	Allen screw M6x10 (4)
32	231070	Precutter complete
37	231076	Hopper
42	6302012	Ball handle

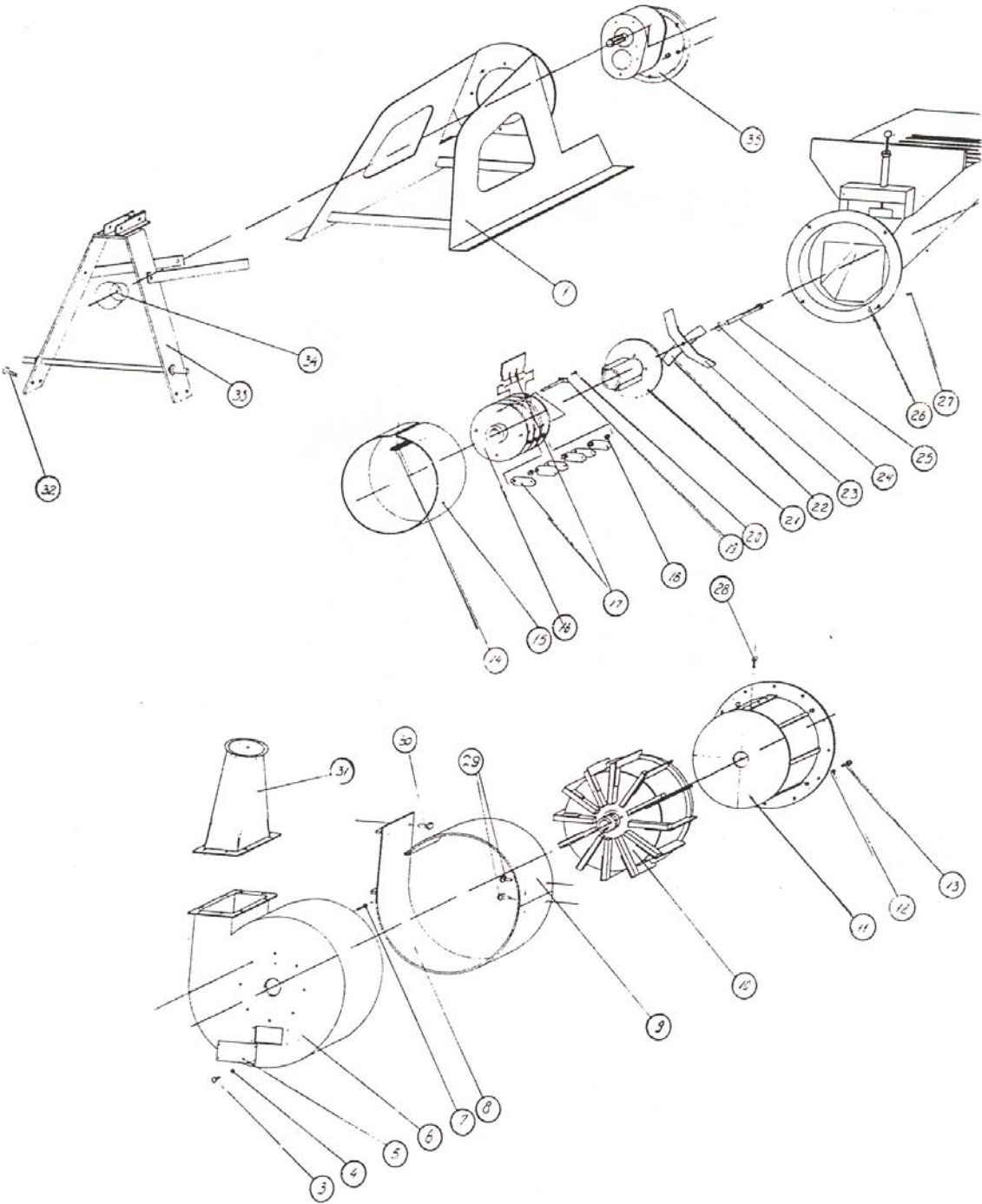
Spare parts drawing maize mill CM-4-750



**MAIZE MILL BM-5-1000**

1	251000B	Support
5	254021G	Blind plate
6	251067G	Mill housing
7	6004011	Allen screw M16x60 (8)
	6000923	Nut M16 (8)
	6001173	Spring washer 16 mm (8)
8	251007	Wearing plate, lower
9	251006	Wearing plate, upper
10	251070	Fan
11	251019G	Grinding chamber
12	6001172	Spring washer 10 mm (12)
13	6000455	Set screw M10x20 (12)
14	251204	Grinding bridge with screws
15	250021	Screen 6.0 mm
	250022	Screen 8.0 mm
	250023	Screen 10.0 mm
	250024	Screen 12.0 mm
	250025	Screen 14.0 mm
	250026	Screen 16.0 mm
16	251074	Rotor
17	251075	Set of hammers
	251073	Set of pendulum hammers for 251075
18	254002	Distance tube (12)
19	251201	Hammer bolt (4)
20	6004003	Allen screw M6x10 (4)
21	251055	Precutter complete
22	253014	Precutter, short
23	253017	Precutter, long
24	6001167	Spring washer 20 mm
25	6000737	Steel bolt M20x200 galv.
26	251091	Hopper
27	6000922	Nut M12 (4)
31	250044	Outlet mill to 190 mm
33	251043	3-point suspension with bolts
34	7004012	Protection guard
35	6801025	Gearbox 1080 rpm/2800

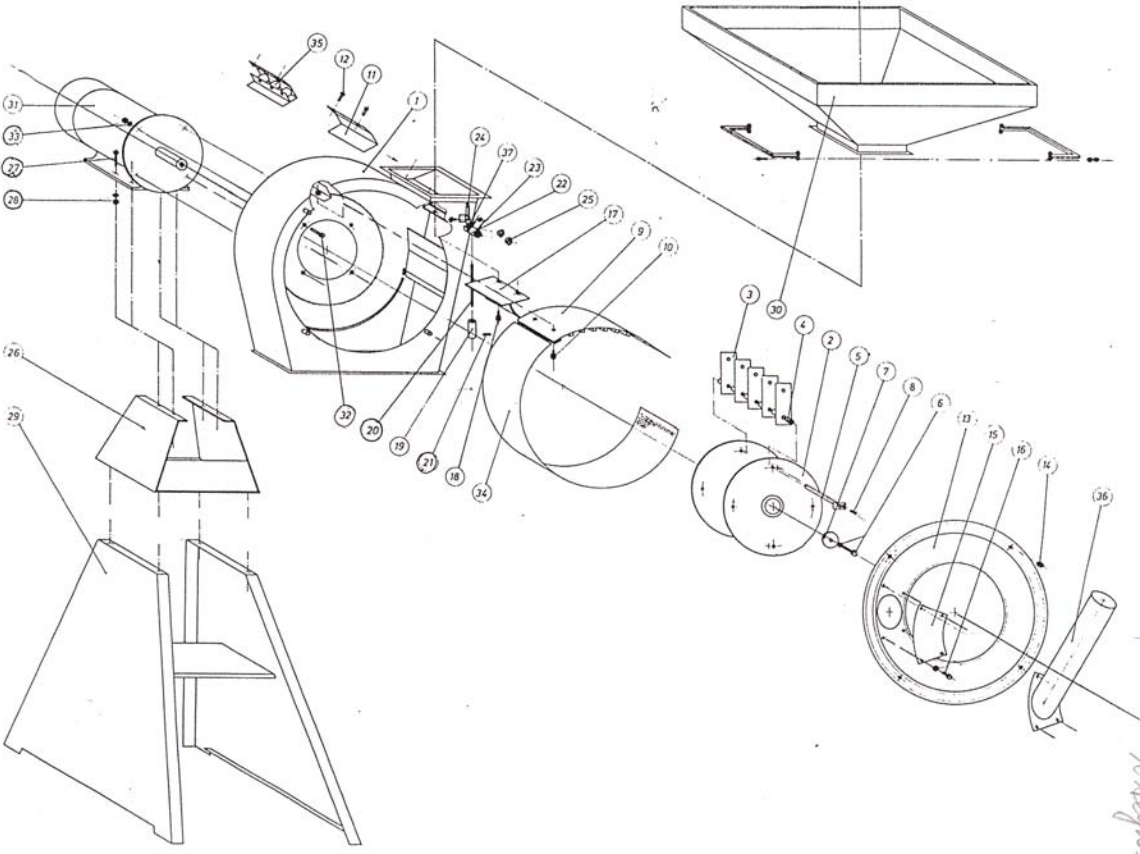
Spare parts drawing maize mill BM-5-1000



**GRAVITY MILL ST4**

2	141026	Rotor complete for 4 kW
	141027	Rotor complete for 5.5-7.5 kW
3	141059	Set of hammers (18 pcs.)
4	145121	Set of distance rings
5	141025	Hammer bolts (4)
8	6004003	Allen screw M6x10 MK for hammer bolts (4)
9	141068	Grinding bridge
15	276079G	Blind plate
	6000437	Screw M6x16 (4)
	6001174	Disc M6 (4)
16	141070	Cover
17	141069	Adjustment and closing throttle
34	140073	Screen 3.0 mm
	140074	Screen 3.5 mm
	140075	Screen 4.0 mm
29	140040	Framework
	140050	Wall bracket
30	100018	Hopper
35	140037	Bracket with magnet

Spare parts drawing gravity mill ST4

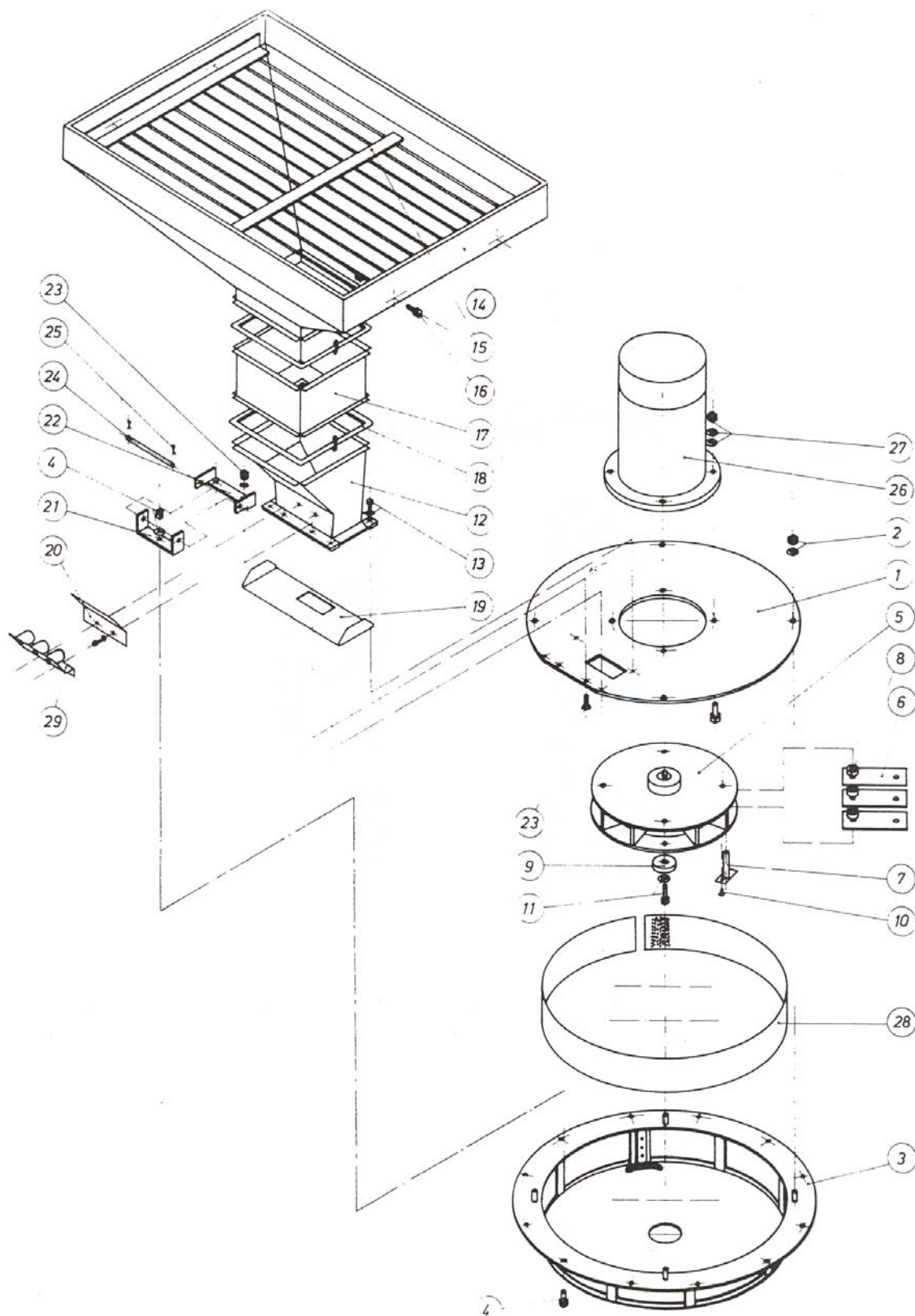




**HAMMER MILL KM-1**

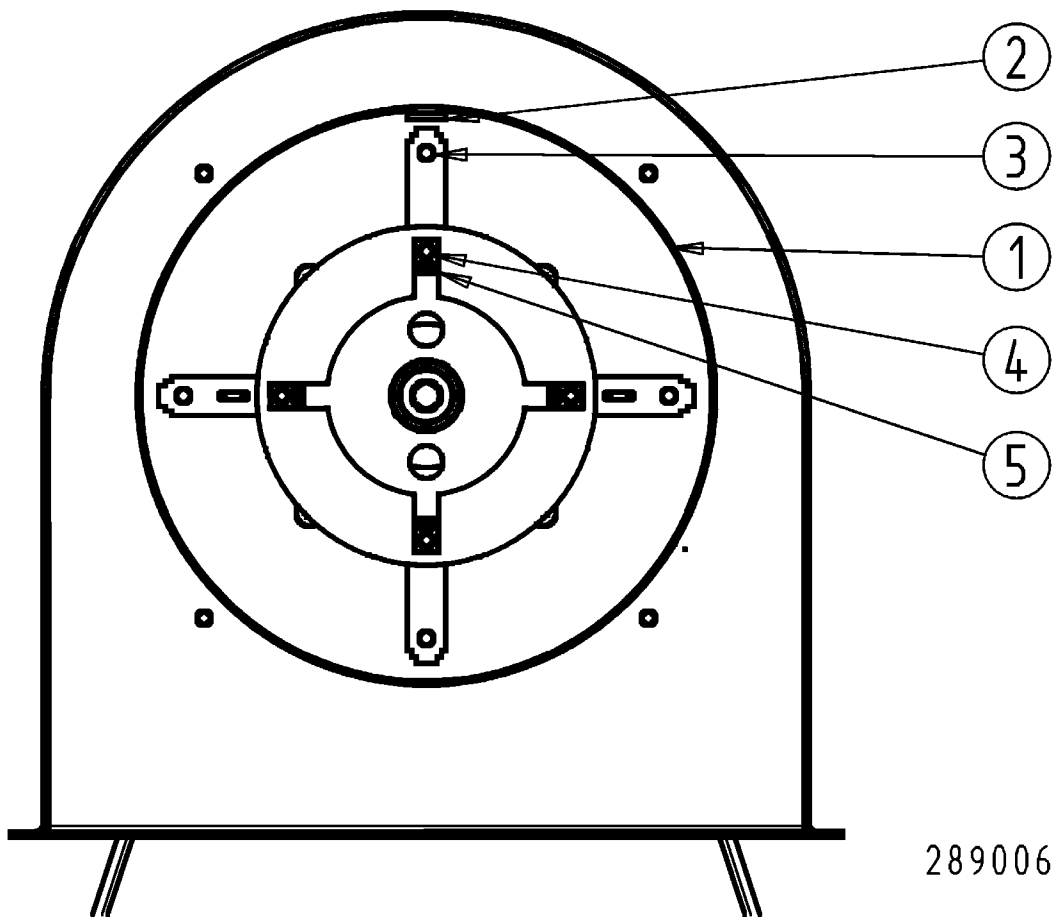
1	271046	Cover 3-4 kW
	271047	Cover 5.5-7.5 kW
3	211031	Grinding chamber
5	271048	Rotor 3-4 kW
	271049	Rotor 5.5-7.5 kW
6	271057	Set of hammers
7	211073	Hammer bolt (4)
8	276092	Distance ring (12)
14	100018	Hopper
15	271055G	Grate for hopper
24	276109G	Hinge bolt
28	210013	Screen 1.0 mm
	210012	Screen 1.5 mm
	210011	Screen 2.0 mm
	210010	Screen 2.5 mm
	210009	Screen 3.0 mm
	210008	Screen 3.5 mm
	210007	Screen 4.0 mm
	210096	Screen 4.5 mm
	210006	Screen 5.0 mm
29	270045G	Set of magnet (extra outfit)

Spare parts drawing hammer mill KM-1



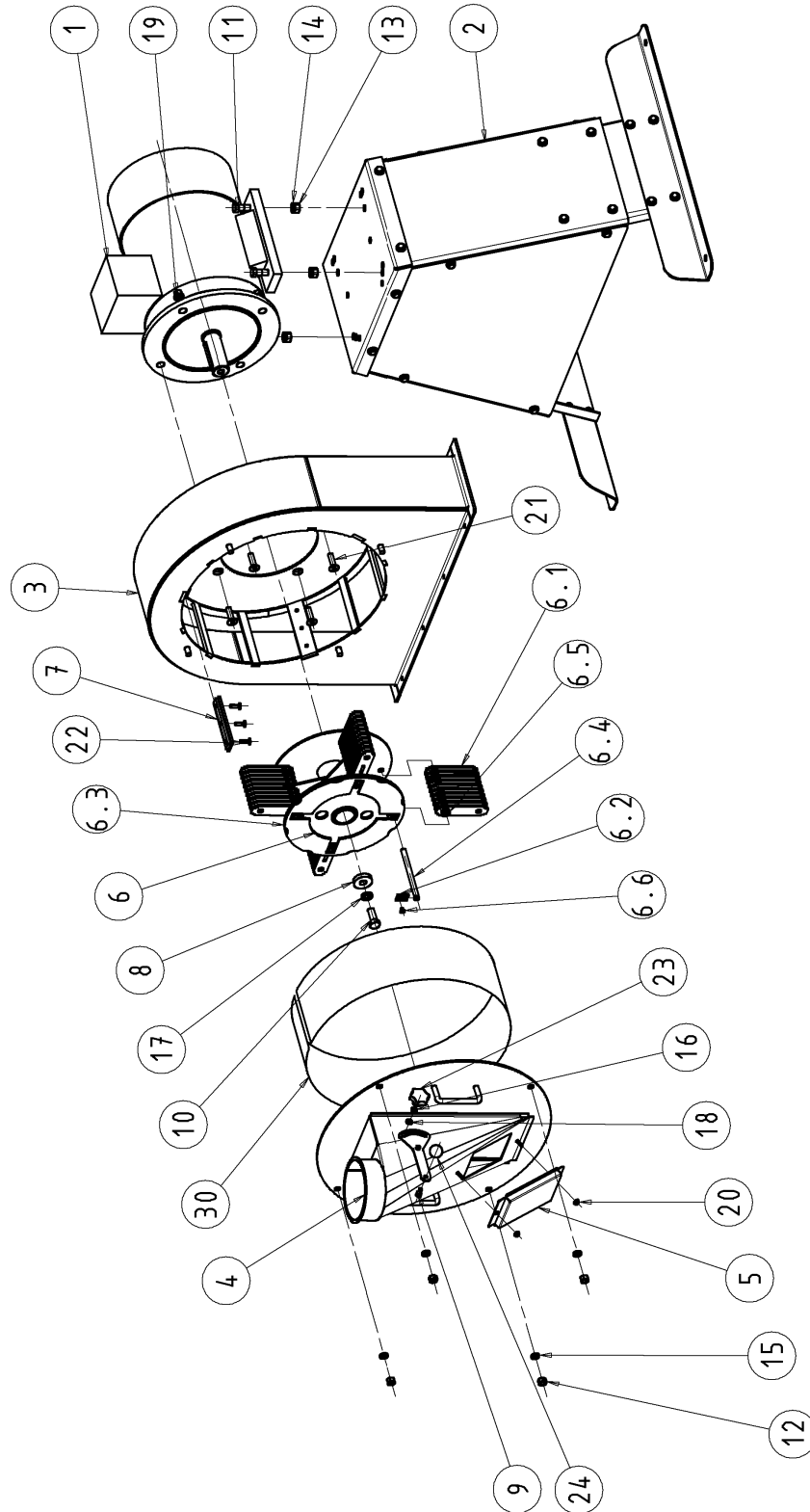
### HAMMER MILL RVO

1		Screen (see spare parts list) (1)
2	280070	Grinding bridge RVO-G with three bolts (1)
2	251204	Grinding bridge RVO-M with three bolts (1)
3	121041	Hammers (set with 40 pcs.) (1)
4	285107	Hammer bolt (4)
5	216219	Lock plate for hammer bolt (4)
	285120	Scraper wing (only RVO-M) (2)
	251019g	Grinding chamber (only RVO-M) (1)



289006-6

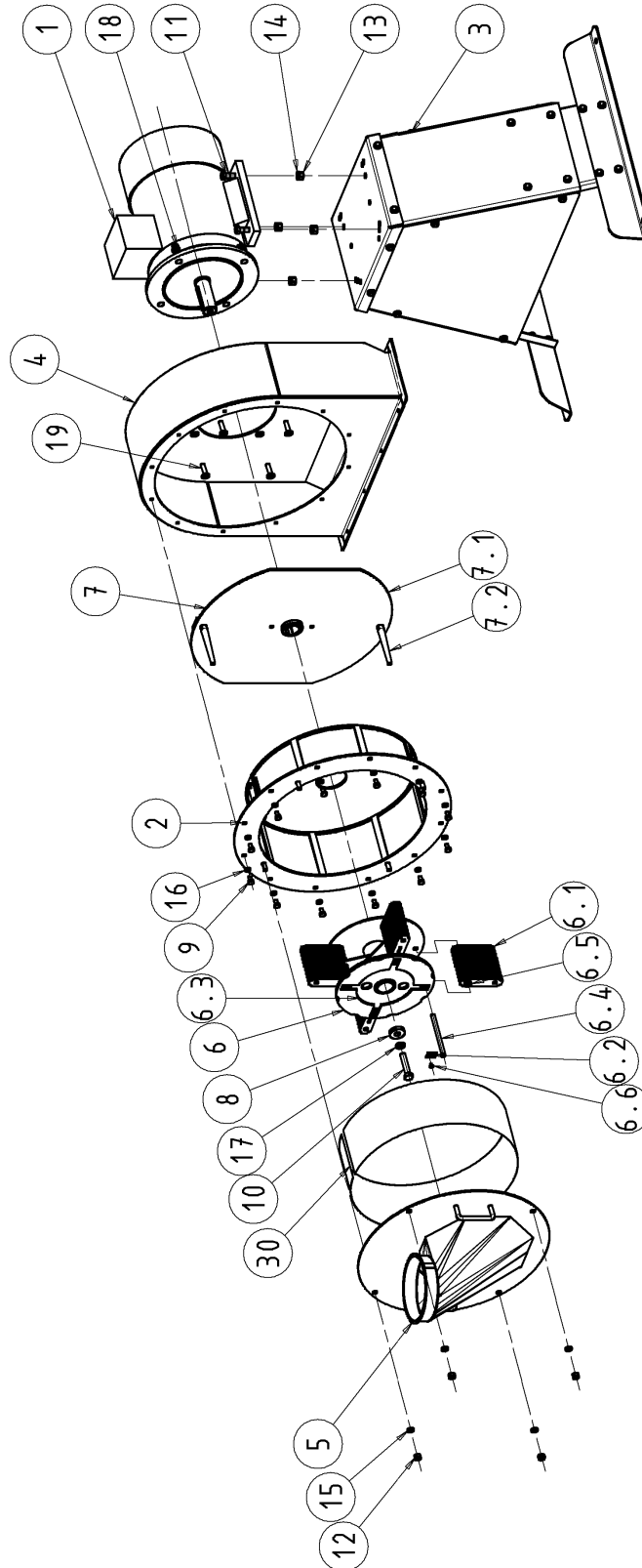
Spare parts drawing hammer mill RVO-G



**RVO-G**

1	2340028	Motor 7.5 kW 2800 rpm (1)
	2340029	Motor 11 kW 2800 rpm (1)
	2340155	Motor 15 kW 2800 rpm (1)
	2340030	Motor 18.5 kW 2800 rpm (1)
	2340156	Motor 22 kW 2800 rpm (1)
2	281027	Frame (1)
3	281042	Mill housing for 7.5 kW (1)
	281028	Mill housing for 11-15-18.5-22 kW (1)
4	281031	Cover with inlet (1)
5	281032	Magnet plate (1)
6	281043	Rotor complete 7.5 kW (1)
	281037	Rotor complete 11-15-18.5 kW (1)
	281029	Rotor complete 22 kW (1)
6.1	121041	Hammers (set with 40 pcs.) (1)
	281048	PROF-LINE hammers (set with 40 pcs.) (1)
6.2	216219	Lock plate for hammer bolt (4)
6.4	285107	Hammer bolt (4)
6.5	285108	Distance piece for hammers (36)
6.6	6004003	Screw M6x10 (4)
7	281041	Grinding bridge (1)
8	285125	Washer (1)
10	6000479	Screw M16x40 (1)
17	6001173	Spring washer 16 mm (1)
22	6004025	Screw M8x25 (3)
23	6302007	Hand wheel (1)
24	6302012	Handle, ball 32x8 mm (1)
30	280057	Screen 2 # (1)
30	280058	Screen 2.5 # (1)
30	280059	Screen 3.15 # (1)
30	280060	Screen 4 # (1)
30	280067	Screen 2.5 #, tripartite (1)
30	280068	Screen 3.15 #, tripartite (1)
30	280069	Screen 4 #, tripartite (1)
30	250003	Screen Ø 2 T=2 (1)
30	250004	Screen Ø 2.5 T=2 (1)
30	250060	Screen Ø 3 T=3 (1)
30	250073	Screen Ø 3.5 T=3 (1)
30	250071	Screen Ø 4 T=4 (1)
30	250072	Screen Ø 4.5 T=4 (1)
30	250074	Screen Ø 5 T=5 (1)
30	250021	Screen Ø 6 T=5 (1)
30	250022	Screen Ø 8 T=5 (1)
30	250023	Screen Ø 10 T=5 (1)

Spare parts drawing hammer mill RVO-M

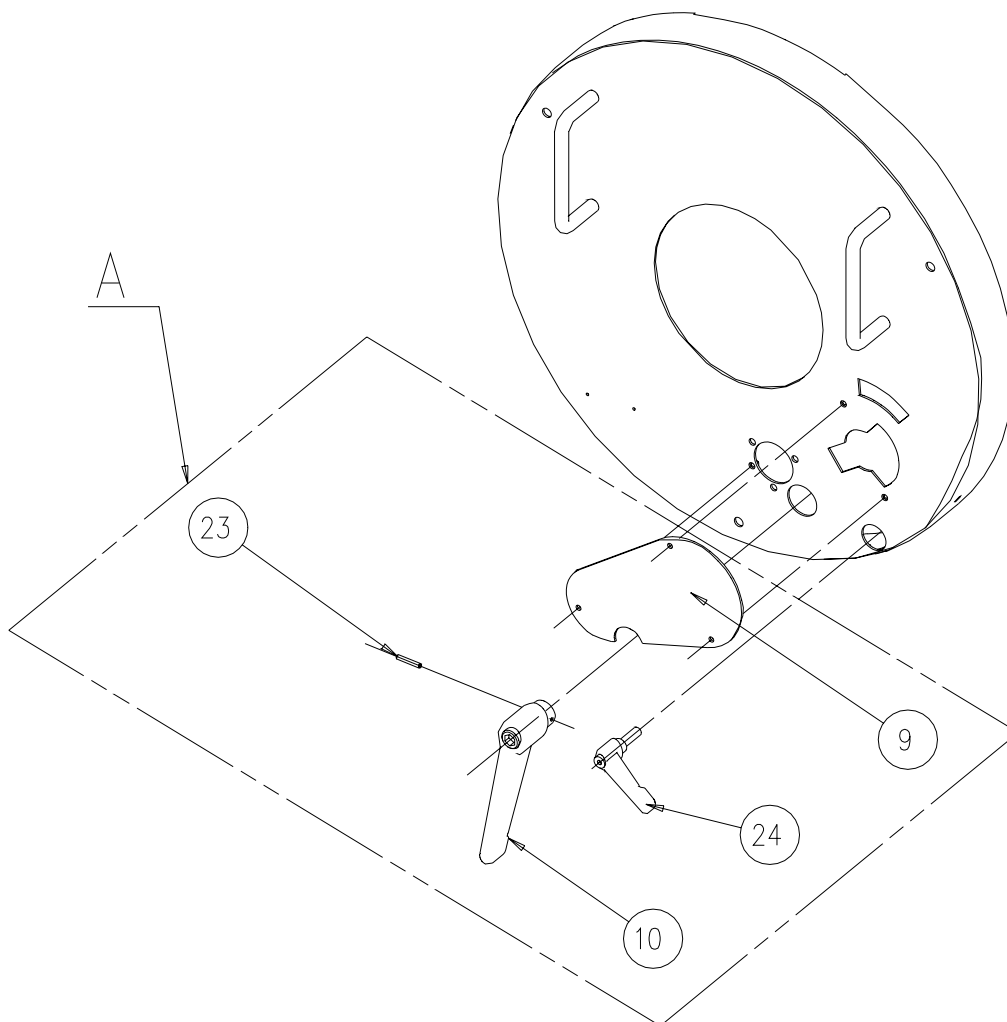


**RVO-M**

1	2340029	Motor 11 kW 2800 rpm (1)
	2340155	Motor 15 kW 2800 rpm (1)
	2340030	Motor 18.5 kW 2800 rpm (1)
2	251019G	Grinding chamber complete (1)
3	281027	Frame (1)
4	281033	Mill house for 11-15-18.5 kW (1)
5	281036	Cover with inlet (1)
6	281037	Rotor complete 11-15-18.5 kW (1)
6.1	121041	Hammers (set with 40 pcs.) (1)
	281048	PROF-LINE hammers (set with 40 pcs.) (1)
6.2	216219	Lock plate for hammer bolt (4)
6.4	285107	Hammer bolt (4)
6.5	285108	Distance piece for hammers (36)
6.6	6004003	Screw M6x10 (4)
7.1	281040	Plate for scraper wing (1)
7.2	285120	Scraper (2)
8	285125	Washer (1)
10	6000489	Screw M16x80 (1)
17	6001173	Spring washer 16 mm (1)
30	280057	Screen 2 # (1)
30	280058	Screen 2.5 # (1)
30	280059	Screen 3.15 # (1)
30	280060	Screen 4 # (1)
30	280067	Screen 2.5 #, tripartite (1)
30	280068	Screen 3.15 #, tripartite (1)
30	280069	Screen 4 #, tripartite (1)
30	250003	Screen Ø 2 T=2 (1)
30	250004	Screen Ø 2.5 T=2 (1)
30	250060	Screen Ø 3 T=3 (1)
30	250073	Screen Ø 3.5 T=3 (1)
30	250071	Screen Ø 4 T=4 (1)
30	250072	Screen Ø 4.5 T=4 (1)
30	250074	Screen Ø 5 T=5 (1)
30	250021	Screen Ø 6 T=5 (1)
30	250022	Screen Ø 8 T=5 (1)
30	250023	Screen Ø 10 T=5 (1)

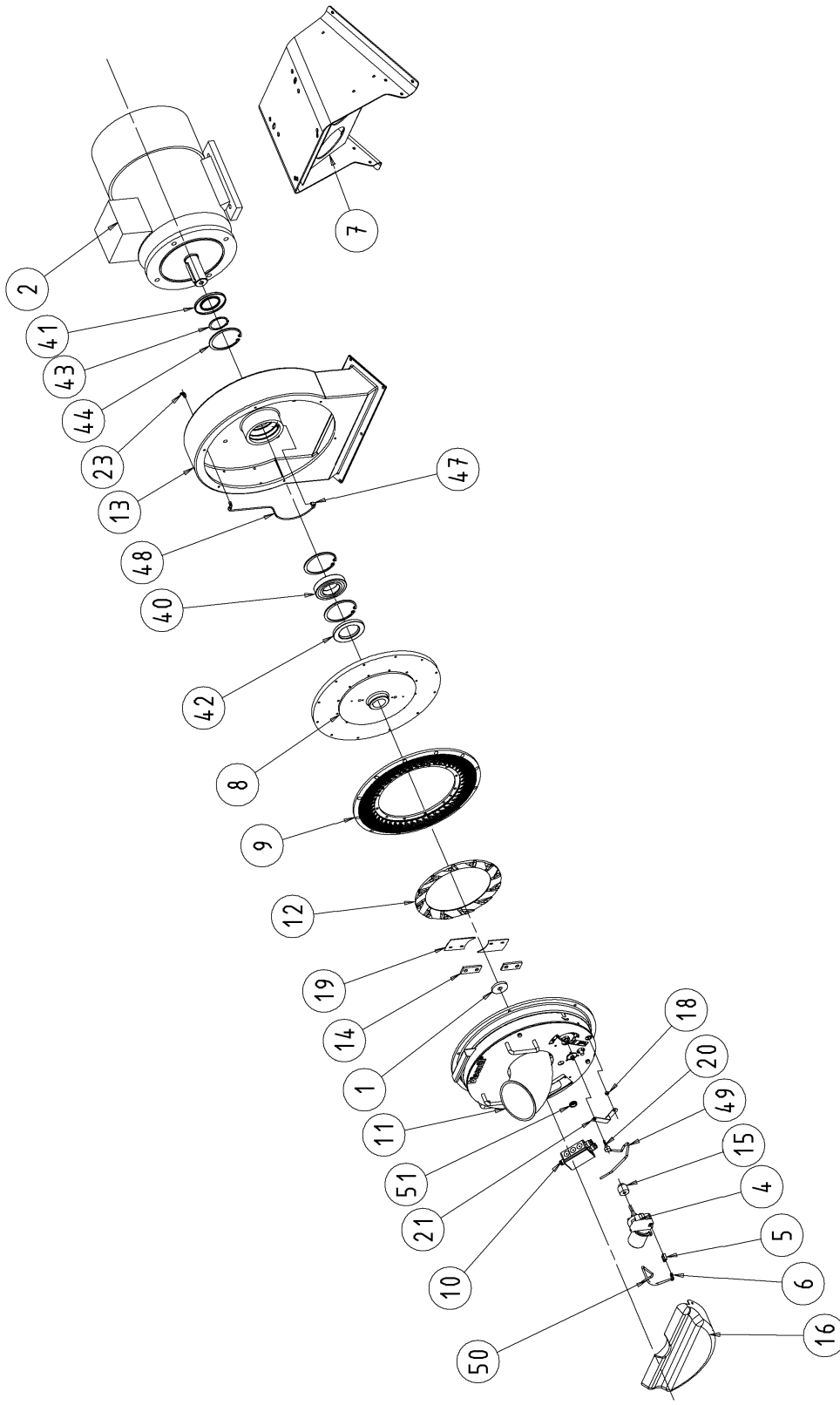
## DISC MILL SK2500 AND SK5000, NEW TYPE

### Manual Adjustment



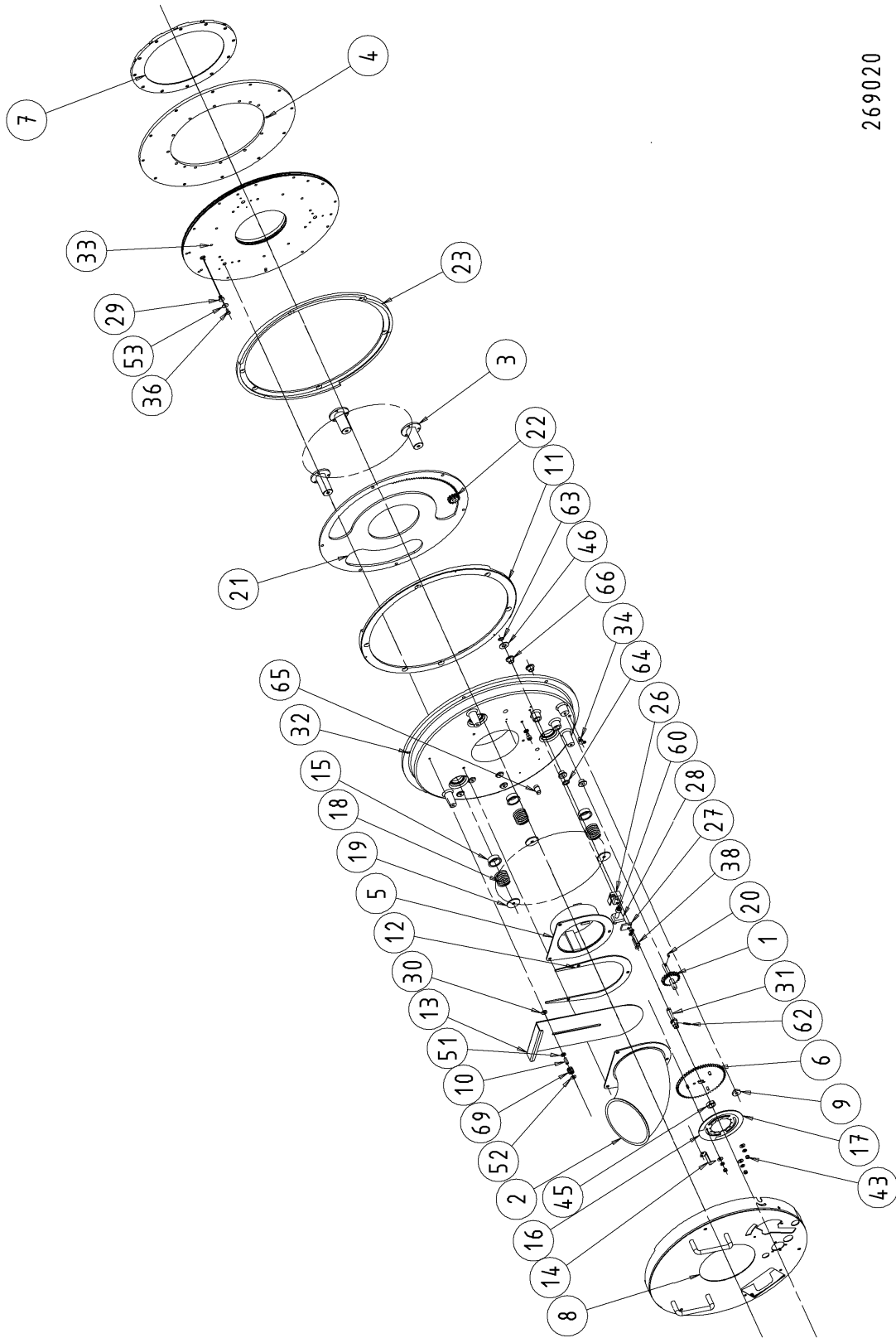


Mill Housing, Rotating Parts and Servo



269021

Adjustment



269020

**SPARE PARTS LIST**  
**POS. ORDER NO. DESCRIPTION**



<u>Pos.</u>	<u>Item No.</u>	<u>Item No.</u>	<u>Item No.</u>	<u>Item No.</u>	<u>Description</u>
	<b>SK2500</b>	<b>SK2500</b>	<b>SK5000</b>	<b>SK5000</b>	
	<b>Man.</b>	<b>Aut.</b>	<b>Man.</b>	<b>Aut.</b>	
<b>Manual Adjustment</b>					
10	266246		266246		Tightening handle (1)
23	6205052		6205052		Tension pin 4x24 (1)
24	6302017		6302017		Tightening handle (1)
<b>Mill Housing, Rotating Parts and Servo</b>					
1			224007	224007	Washer (1)
	261050	261050			Motor 5,5 kW 2800 rpm (1)
	261051	261051			Motor 7,5 kW 2800 rpm (1)
			261052	261052	Motor 15 kW 2800 rpm (1)
			261053	261053	Motor 22 kW 2800 rpm (1)
4		261175		261175	Gear motor (1) (old No. 2392085 + plug etc.)
8	261077	261077	261083	261083	Runner plate 5,5-7,5-15 kW (1)
			261089	261089	Runner plate 22 kW (1)
9	261113	261113	261114	261114	Grinding ring, 3 step, set with screws (2)
	261182	261182	261183	261183	Thrower for runner plate ("cleaner") (1)
12	261109	261109	261110	261110	Inlet ring, hard metal-strengthen, set with screws (1)
13	266201G	266201G	266228G	266228G	Housing (1)
	261186	261186	261185	261185	Liner for housing (1)
	261184	261184			Cover, assembled (1)
14+19	261100	261100	261103	261103	Distributor iron, set with screws and base (1)
	261179	261179	261180	261180	PROF-LINE distributor iron, set (1)
			261181	261181	PROF-LINE distributor plate (1)
15		266252		266252	Cogwheel 12 teeth (1)
16		266271		266272	Gear motor guard (1)
20		266399		266399	Potentiometer (1)
23	2700086	2700086	2700086	2700086	Lubricator nipple (1)
40	6403056	6403056	6403057	6403057	Bearing (1)
41	6408036	6408036	6408038	6408038	Oil seal (1)
42	6408037	6408037	6408039	6408039	Oil seal (1)
43	6408025	6408025	6408040	6408040	Locking ring (1)
44	6408024	6408024	6408041	6408041	Locking ring (3)
47	6802148	6802148	6802148	6802148	Angle (2)
48	7003719	7003719	7003719	7003719	Copper pipe (1)

**SPARE PARTS LIST**  
**POS. ORDER NO. DESCRIPTION**



<u>Pos.</u>	<u>Item No.</u>	<u>Item No.</u>	<u>Item No.</u>	<u>Item No.</u>	<u>Description</u>
	<b>SK2500</b>	<b>SK2500</b>	<b>SK5000</b>	<b>SK5000</b>	
	<b>Man.</b>	<b>Aut.</b>	<b>Man.</b>	<b>Aut.</b>	
<b>Adjustment</b>					
2	261076G	261076G	261085G	261085G	Inlet pipe (1)
3	261078	261078	261088	261088	Guide (3)
5	261135G	261135G	261136G	261136G	Insert (1)
6	261148	261148	261156	261156	Cogwheel (1)
8	261146B	261147B	261158B	261158B	Cover (1)
13	266206G	266206G	266241G	266241G	Throttle f. inlet pipe (1)
15	266266	266266	266254	266254	Slide bearing (3)
17	266306	266306	266260	266260	Scale (1)
18	266213	266213	266261	266261	Compression spring (3)
20	266263	266263	266263	266263	Key 4x4x10 (1)
21	266216	266216	266287	266287	Toothed rim (1)
22	266253	266253	266288	266288	Gear wheel (1)
29	266398	266398	266398	266398	Pin (1)
30	266400	266400	266400	266400	Distance disc (1)
32	266389G	266389G	266406G	266406G	Cover (1)
33	266393	266393	266409	266409	Fixed plate (1)
33	7004627	7004627	7004627	7004627	Felt strip (1.4 m for SK2500 2.1 m for SK5000)
36	6000435	6000435	6000435	6000435	Screw 6x10 (1)
53	6002025	6002025	6002025	6002025	Washer 6 mm (1)
66	6900336	6900336	6900336	6900336	Slide bearing (4)
	261190	261190			Cog wheel (repair set) (1)

## DISC MILL SK2500 AND SK5000, OLD TYPE

### Drawing No. 269016:

10	266246	Tightening handle
23	6205052	Tension pin 4x24
24	6302017	Tightening handle

### Drawing No. 269014:

1	224007	Washer SK5000
2	261050	Motor 5.5 kW SK2500
	261051	Motor 7.5 kW SK2500
	261052	Motor 15 kW SK5000
	261053	Motor 22 kW SK5000
9	261077	Runner disc 5.5-7.5 kW SK2500
	261083	Runner disc 15 kW SK5000
	261089	Runner disc 22 kW SK5000
11	261113	Grinding unit, set with bolts SK2500 (2)
	261114	Grinding unit, set with bolts SK5000 (2)
12	266201	Housing SK2500
	266228	Housing SK5000
13	261101	Inlet ring, set with bolts SK2500 (1)
	261109	Do. reinforced type (1)
	261104	Inlet ring, set with bolts SK5000 (1)
	261110	Do. reinforced type (1)
14	261100	Distributor iron, set with bolts SK2500
	261103	Distributor iron, set with bolts SK5000
20	2700086	Lubrication nipple
39	6403056	Bearing SK2500
	6403057	Bearing SK5000
40	6408036	Oil seal SK2500
	6408038	Oil seal SK5000
41	6408037	Oil seal SK2500
	6408039	Oil seal SK5000
42	6408025	Locking ring SK2500
	6408040	Locking ring SK5000
43	6408024	Locking ring SK2500 (3)
	6408041	Locking ring SK5000 (3)
44	6802148	Angle (2)
45	7003719	Copper pipe

### Drawing No. 269014 A:

5	261175	Gear motor cpl. (old No. 2392085 + plug, cable etc.)
16	266399	Potentiometer (old No. 266251)
17	266252	Gear wheel 12 tooth
18	266271	Gear motor guard SK2500
	266272	Gear motor guard SK5000

**Drawing No. 269015:**

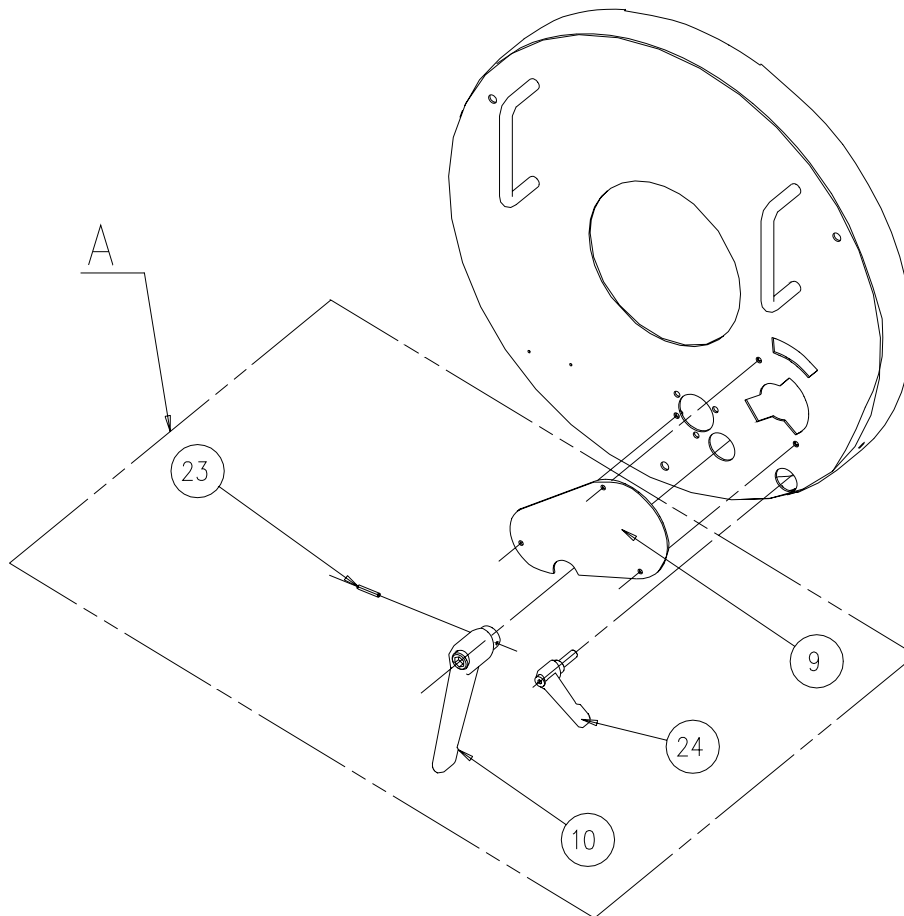
1	261079	Shaft with gear wheel
2	261076G	Inlet pipe SK2500
	261085G	Inlet pipe SK5000
3	261102	Grinding unit, set with bolts SK2500 (2)
	261113	Do. new type (2)
	261105	Grinding unit, set with bolts SK5000 (2)
	261114	Do. new type (2)
4	261081B	Cover SK2500
	261087B	Cover SK5000
5	261078	Guide SK2500 (3)
	261088	Guide SK5000 (3)
6	266222	Locking disc
7	266226	Distance pipe
8	266202	Cover SK2500
	266232	Cover SK5000
9	266393	Fixed plate SK2500 (old No. 266207)
	266409	Fixed plate SK5000 (old No. 266233)
10	266227	Adjustment ring SK2500
	266234	Adjustment ring SK5000
11	261101	Inlet ring, set with bolts SK2500 (2)
	261109	Do. reinforced type
	261104	Inlet ring, set with bolts SK5000 (2)
	261110	Do. reinforced type
13	266206G	Throttle for inlet pipe SK2500
	266241G	Throttle for inlet pipe SK5000
14	266243	Pointer for scale
15	266266	Plain bearing SK2500 (3)
	266254	Plain bearing SK5000 (3)
16	266257	Shaft for gear wheel for scale
17	266218	Gear wheel SK2500
	266258	Gear wheel SK5000
20	266213	Compression spring SK2500 (3)
	266261	Compression spring SK5000 (3)
21	6001147	Disc SK2500 (3)
	266262	Disc SK5000 (3)
22	266263	Key 4x4x10
23	266216	Toothed rim SK2500
	266287	Toothed rim SK5000
24	266253	Gear wheel SK2500
	266288	Gear wheel SK5000
25	266289	Adjustment ring SK5000
26	2700086	Lubrication nipple
34	6001007	Lock nut M14
50	6205052	Washer pin 4x24
51	6301058	Locking ring 12 mm
52	6408032	Wave spring
53	6803068	Silencer
54	6900336	Plain bearing (4)

**SPARE PARTS LIST**  
**POS. ORDER NO. DESCRIPTION**

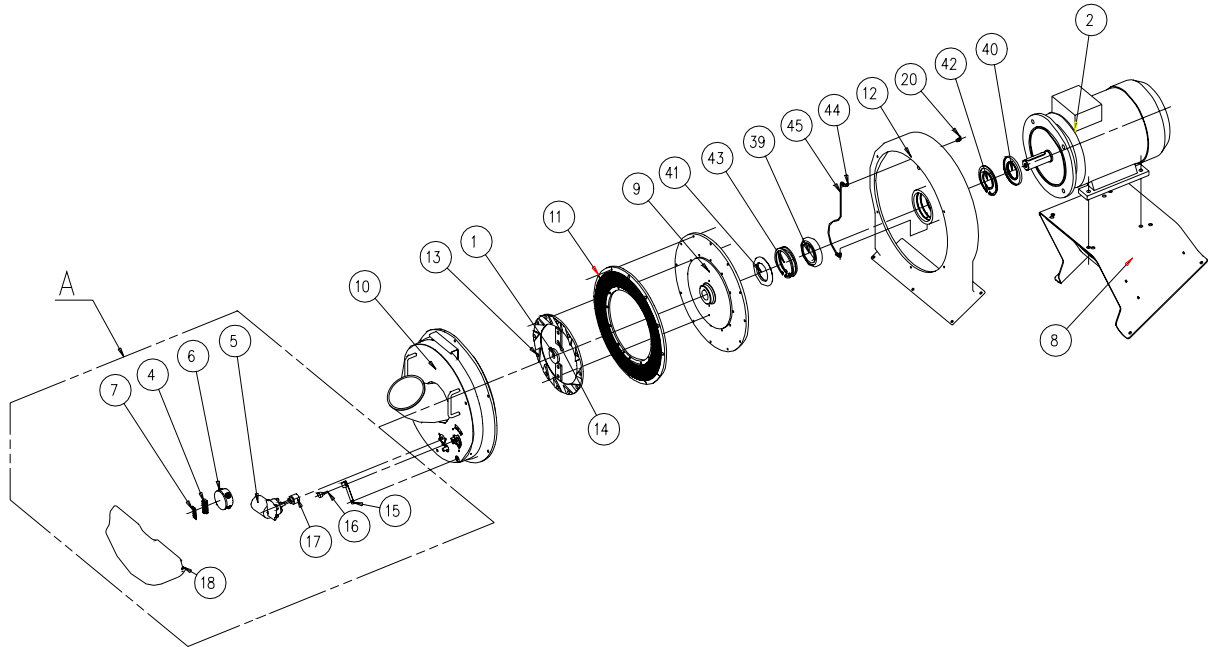


56	816280	Spring (3)
57	916498	Pressure spring
59	7004627	Felt strip (1.5 m)
	7004101	Lock for magnet 260076 (2)
	1505266	Window for magnet 260076

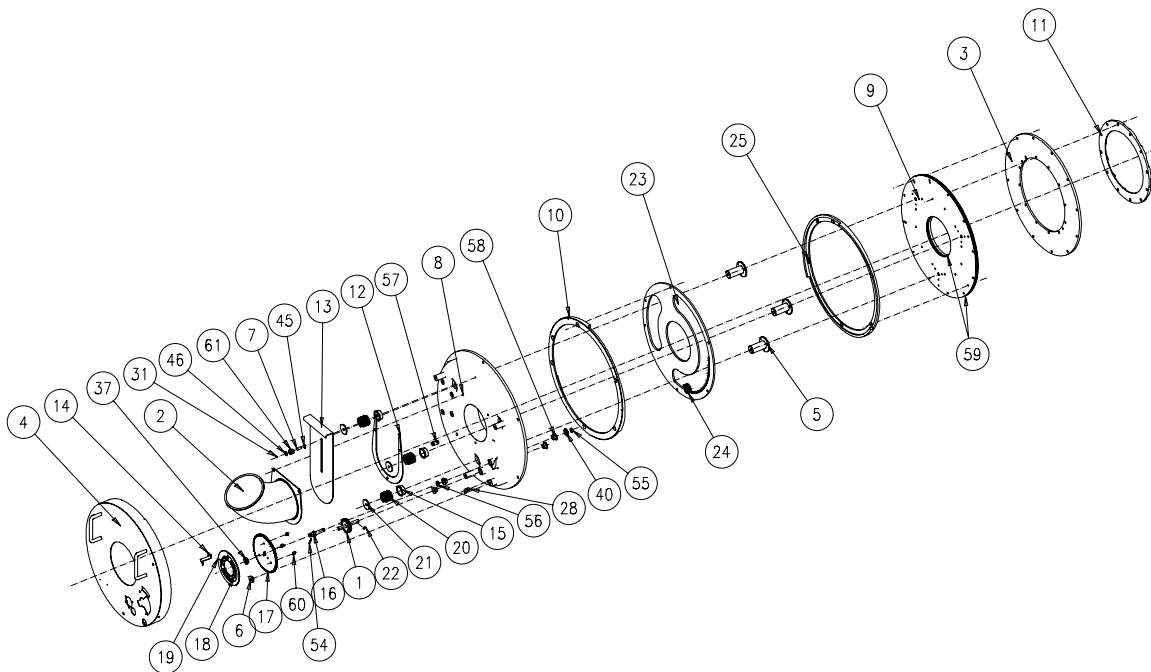
**Spare parts drawing No. 269016**



**Spare parts drawing No. 269014 incl. 269014A**



**Spare parts drawing No. 269015**





## DISC MILL SK2500 AND SK5000

### Changing old model (up to approx. April 2005) from automatic to manual regulation (drawing 269016):

9	266268B	Cover plate for guard SK2500
	266245B	Cover plate for guard SK5000
10	266246	Tightening handle
23	6205052	Tension pin 4x24
24	6302017	Tightening handle
	6003315	Screw 4x8 (3)

### Changing old model (up to approx. April 2005) from manual to automatic regulation (drawing 269014):

4	2383127	Terminal block
5	261175	Gear motor (old No. 2392085 + plug, cable etc.)
	6000438	Set screw M6x20 (3)
	6001174	Spring washer 6 mm (3)
6	2393065	Mounting box
	2383036	Screwed cable entry PG11 (2)
	7004319	Nut PG11 (2)
	6003303	Machine screw M3x6 (2)
	6002000	Washer 4 mm (2)
7	245056	No. plate for terminal block
	6206078	Rivet 3.2x8
15	266269B	Fitting for potentiometer SK2500
	266250B	Fitting for potentiometer SK5000
	266292	Distance ring
	6000448	Set screw M8x25
16	266399	Potentiometer (old No. 266251)
17	266252	Gear wheel 12 tooth
	6004103	Allen screw M4x6 (2)
	2700063	Disc spring 3x3.7
18	266271	Gear motor guard SK2500
	266272	Gear motor guard SK5000
	6000435	Set screw M6x10 (3)
	2381181	Cable strip
		<b>For standard electric panel</b>
	2385273	Print
	2383215	Potentiometer (x)
	2383328	Plastic housing for potentiometer (x)

		<b>For FlexMix</b>
	1400621	Controller for 5.5-7.5 kW
	1400622	Controller for 15 kW
	1400623	Controller for 22 kW

## DISC MILL SK2500 AND SK5000

### Changing new model (from approx. April 2005) from automatic to manual regulation (drawing 269016):

4	261146B	Cover SK2500 (drawing 269015)
9	266268B	Cover plate for guard SK2500
	266245B	Cover plate for guard SK5000
10	266246	Tightening handle
23	6205052	Tension pin 4x24
24	6302017	Tightening handle
	6003315	Screw 4x8 (3)
	266394B	Cover

### Changing new model (from approx. April 2005) from manual to automatic regulation (drawing 269014):

4	261147B	Cover SK2500 (drawing 269015)
4	2383016	Terminal block
5	261175	Gear motor (old No. 2392085 + plug, cable etc.)
	6000438	Set screw M6x20 (3)
	6001174	Spring washer 6 mm (3)
6	266403	Mounting box
	2383036	Screwed cable entry PG11 (4)
	7004319	Nut PG11 (4)
	6003315	Machine screw M4x8 (2)
7	7004070	No. list for terminal block
	6206078	Rivet 3.2x8
15	266405B	Fitting for potentiometer SK2500
	266411B	Fitting for potentiometer SK5000
	266292	Distance ring
	6000448	Set screw M8x25
16	266399	Potentiometer (old No. 266251)
17	266252	Gear wheel 12 tooth
	6004103	Allen screw M4x6 (2)
	2700063	Disc spring 3x3.7
18	266271	Gear motor guard SK2500
	266272	Gear motor guard SK5000
	6000435	Set screw M6x10 (3)
	2381181	Cable strip

#### For standard electric panel

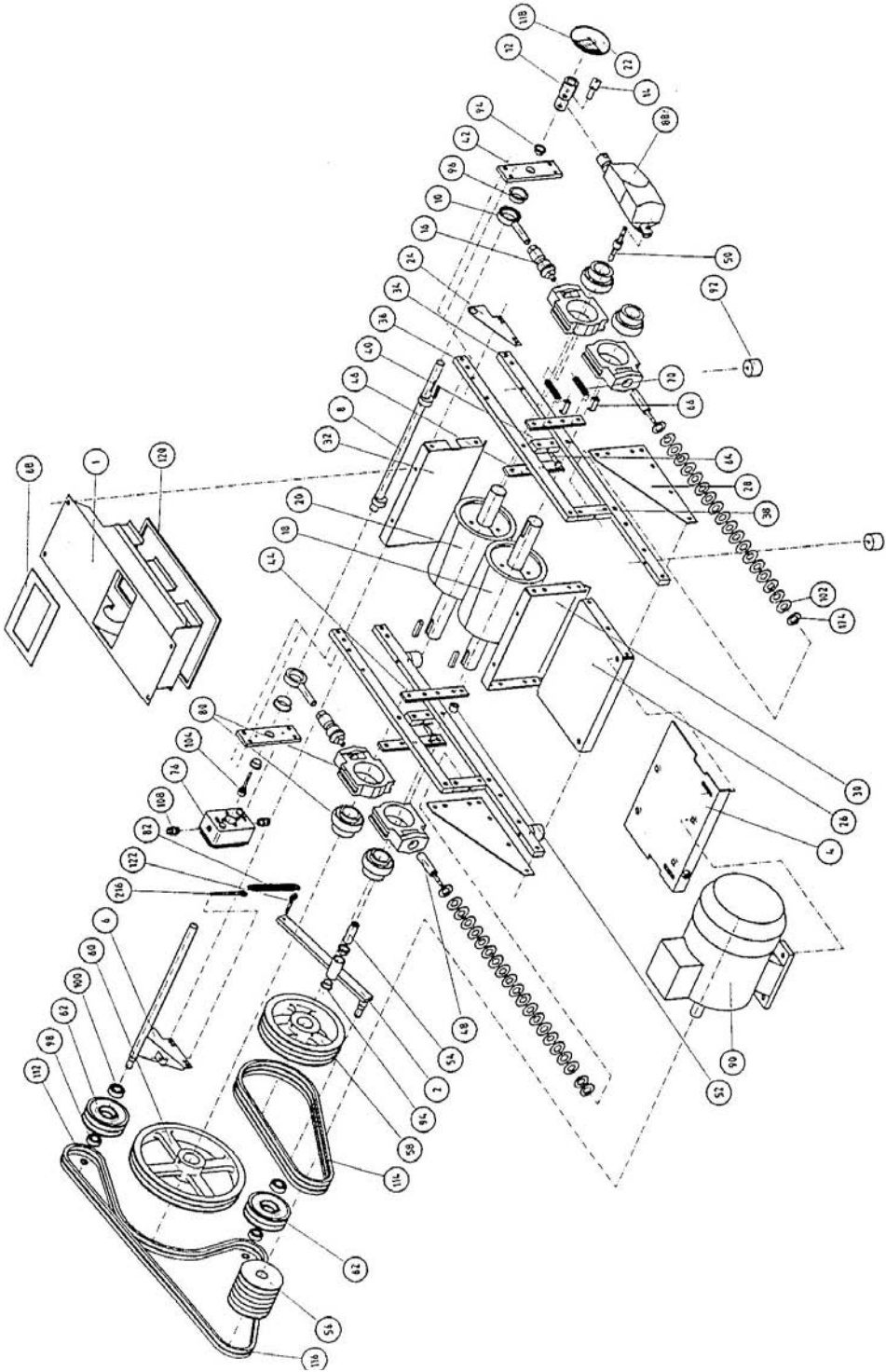
	2385273	Print
	2383215	Potentiometer (x)
	2383328	Plastic housing for potentiometer (x)

		<b>For FlexMix</b>
	1400621	Controller for 5.5-7.5 kW
	1400622	Controller for 15 kW
	1400623	Controller for 22 kW

**STRUCTURE MILL SM2000**

1	241003	Guard over rollers
6	241009	Shaft
8	241010	Shaft with eccentric
10	241011	Eye bolt for adjustment (2)
12	241012	Bushing with form
14	241013	Shaft pin with nab
16	241014	Ball (2)
18	241015	Structure roller, fixed, with 300 grooves
	241065	Structure roller, fixed, with 250 grooves
	241057	Structure roller, fixed, with 200 grooves
20	241016	Structure roller, adjustable, with 300 grooves
	241064	Structure roller, adjustable, with 250 grooves
	241058	Structure roller, adjustable, with 200 grooves
	245029	Loose cover for roller with 300 grooves (2)
	245213	Loose cover for roller with 250 grooves (2)
	245210	Loose cover for roller with 200 grooves (2)
	245033	Lock plate (2)
34	245037	Rail, lower and upper
48	245040	Guide shaft for springs (2)
58	245044	V-belt pulley A-3-200 Ø40
62	245046	V-belt pulley
64	245048	Stopping and adjusting screw (2)
68	245050	Rubber tightening
70	245053	Pressure spring for bearing (2)
80	916478	Bearing (4)
82	915375	Spring
88	2392060	Spindle motor (only for aut.)
90	2320066	Motor 4 kW 1400 rpm
94	6900323	Slide bearing (4)
96	6900324	Slide bearing (2)
98	6401074	Ball bearing (2)
100	6401075	Ball bearing (2)
102	6111075	Disc spring (36)
104	266399	Potentiometer (only for aut.)
112	6301061	Seeger circlip (2)
114	2520042	V-belt SPA 1082 (3)
116	2520013	V-belt AA77 (2)
122	6003628	Eye bolt
	2384022	Mill controller
	241009	Shaft for pulley pos. 62
	245019	Brackets for shaft for pulley pos. 62
	245016	Shaft for spindle motor

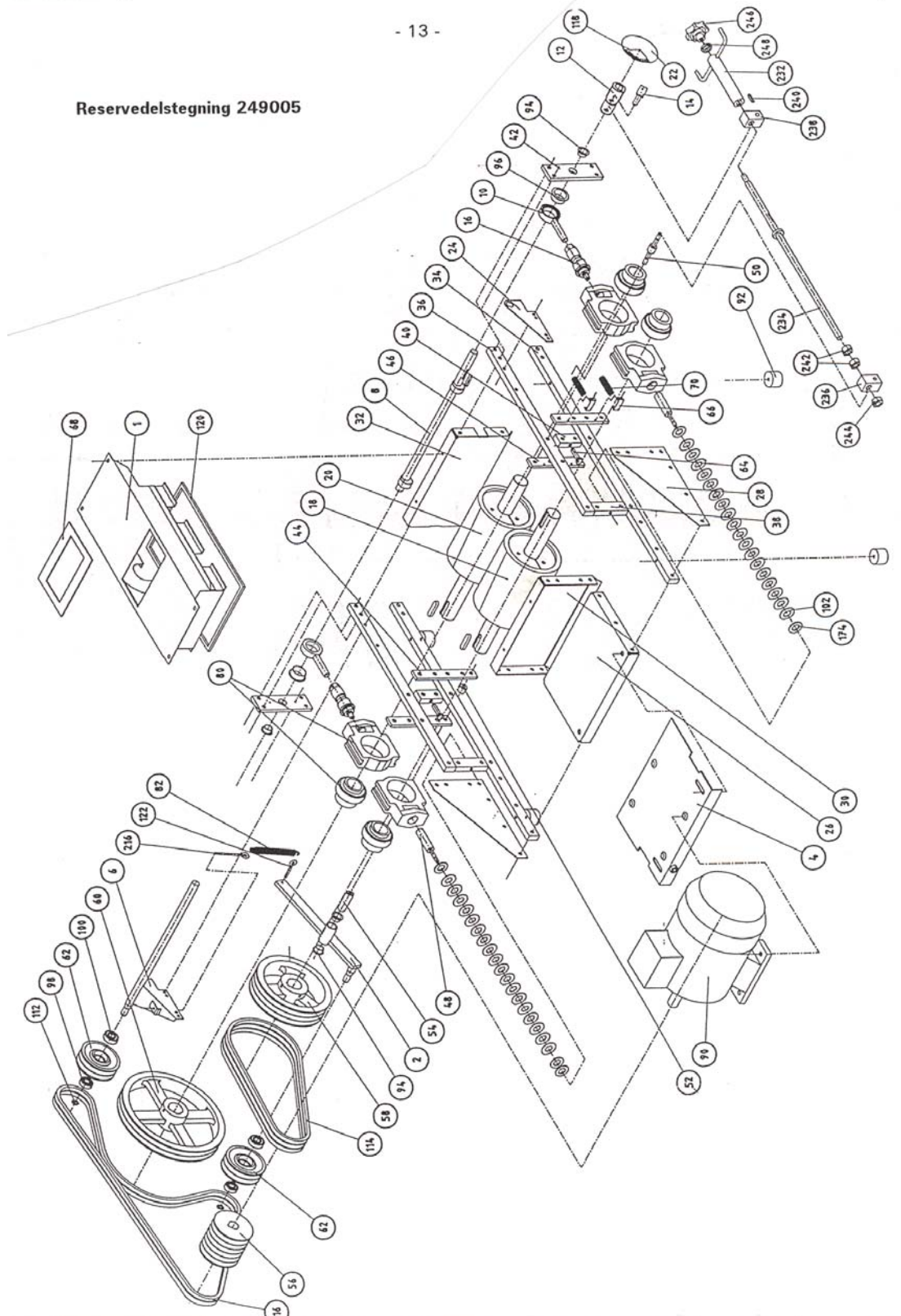
Spare parts drawing 249004, structure mill SM2000 AUTOMATIC



Spare parts drawing 249005, structure mill SM2000 MANUAL

- 13 -

Reservedelstegning 249005





## STRUCTURE MILL SM4000

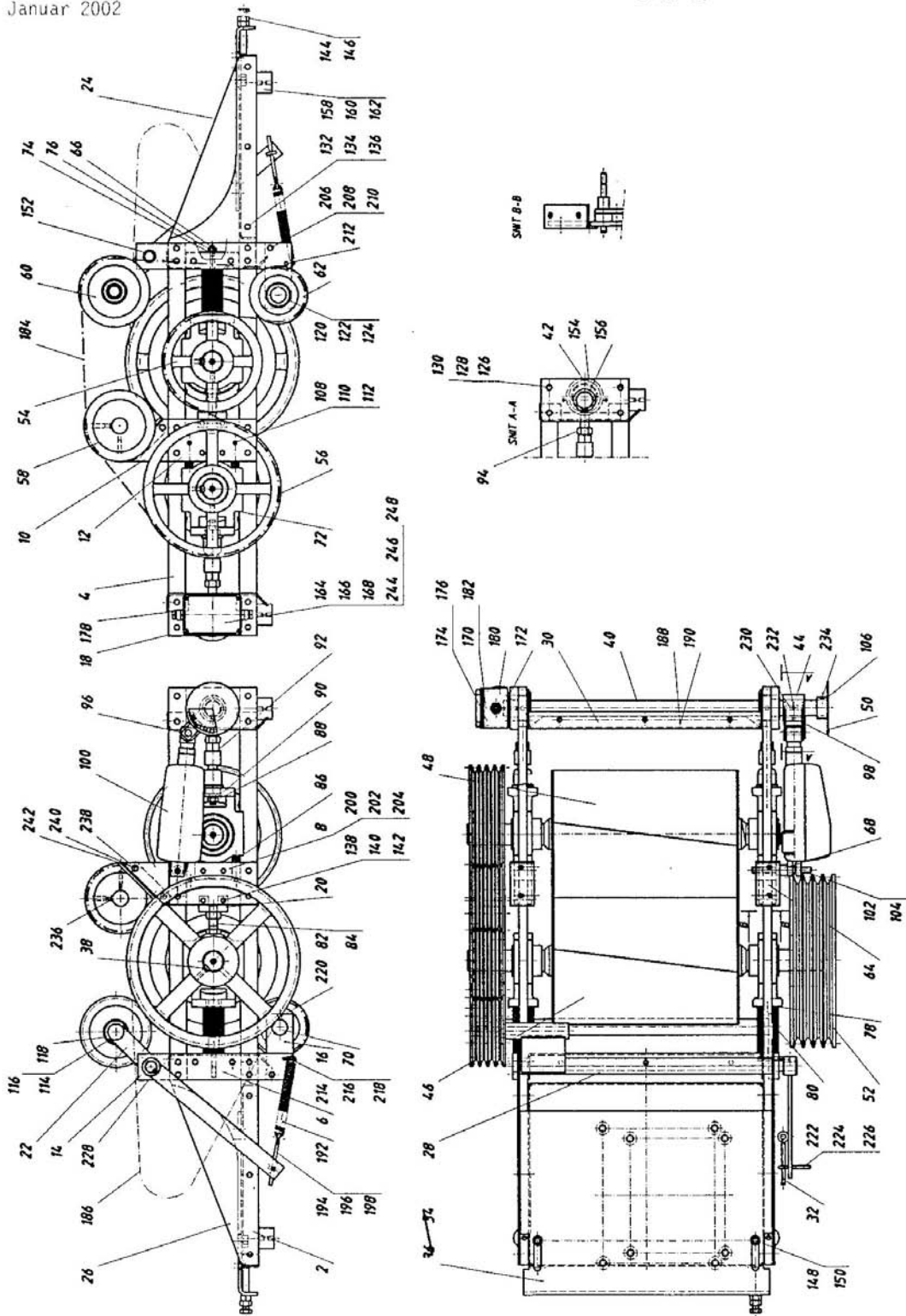
46	241073	Structure roller, fixed, with 400 grooves
	241042	Structure roller, fixed, with 300 grooves
48	241074	Structure roller, adjustable, with 400 grooves
	241043	Structure roller, adjustable, with 300 grooves
	241072	Loose cover with 400 grooves
	241044	Loose cover with 300 grooves
	245207	Lock plate (2)
70	245120	Shaft
72	916478	Bearing (2)
73	245138	Bearing for fixed roller (2)
80	6111075	Disc spring (72)
82	245128	Adjusting screw (2)
84	6000923	Nut (2)
86	245053	Pressure spring for bearing (2)
92	241014	Ball (2)
96	241013	Shaft pin with nab
98	6003326	Machine screw
100	2392060	Spindle motor (only for aut.)
114	6404025	Bearing 6204 2RS1
116	6401028	Bearing 6005 2RS1
118	6301051	Circlip
120	6404025	Bearing 6204 2RS1
122	6401028	Bearing 6005 2RS1
124	6301051	Circlip
152	6900323	Slide bearing
154	6900326	Slide bearing
156	6900325	Slide bearing
170	266399	Potentiometer (only for aut.)
172	6004103	Allen screw
184	2520013	V-belt AA-77 (4)
186	2530058	V-belt B-58 for 7.5 kW (4)
	2320068	Motor 7.5 kW 1400 rpm
	241049	Magnet (2)
	2530060	V-belt B-60 for 11 kW (4)
	2320069	Motor 11 kW 1400 rpm
	241036	Distributor shaft
	241040	Guiding plate
	6407012	Bearing (2)
	241037	Shaft with eccentric
	2384022	Mill controller



Spare parts drawing, structure mill SM4000

Januar 2002

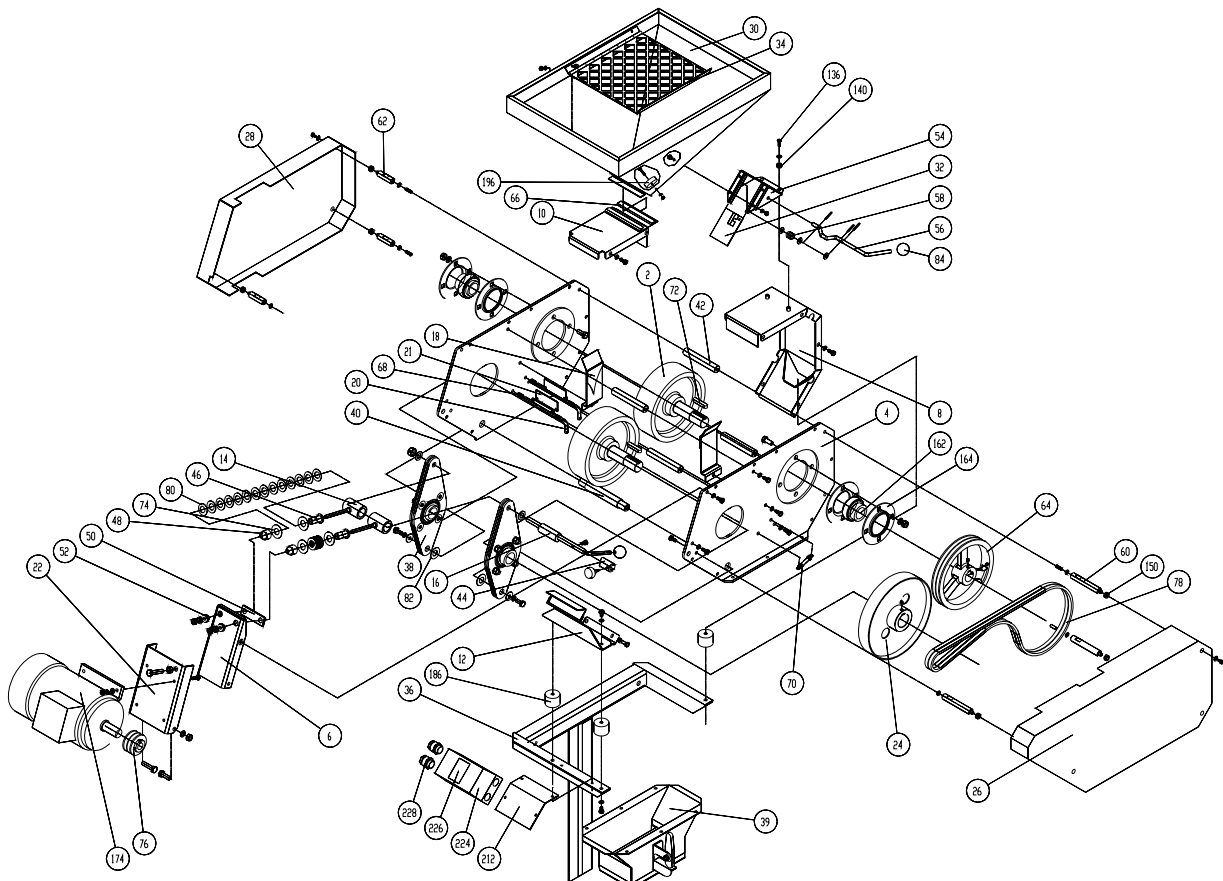
Side 19



**CRUSHER KB80**

2	911120	Crusher roller (2)
14	911126	Bush with guide bolt (2)
16	911127	Adjustment arm with eccentric
18	911128	Set guide plate
21	916471	Scraper (2)
32	911135	Throttle
38	911138	Feed arm incl. bearings (2)
46	916535	Guide bush (2)
48	916536	Pressure bush (2)
56	916497	Adjustment arm
66	916501	Rubber for angle
68	813004	Pressure spring (4)
70	816203	Spring for scraper
78	2520002	V-belt A62 (2)
80	6111075	Disc spring (28)
82	6111075	Disc spring (2)
84	6302013	Knob
162	6407071	Ball bearing GE 40 KRRB (2)
174	2320063	Electric motor 1.5 kW 1400 rpm
186	6306061	Vibration damper (3)
	911137	Wall bracket (1)

**Spare parts drawing crusher KB80**



## GRAIN CRUSHERS KB160/2 AND KB160/3

### KB160/2 and KB160/3 - Hopper:

3	911186	Inlet
4	911185	Magnet tray complete
5	100018	Hopper
6	1800016	Clip Q16
12	7004767	Magnet (12)

### KB160/2 and KB160/3 – Legs and protection guards:

1+2	911194	V-belt guards, set (old Nos. 911168 and 911167)
5	910070	Set long legs incl. vibration dampers
5	910071	Set short legs incl. vibration dampers
6	6306052	Vibration dampers (4)
15	916632	Safety grate
16	1800016	Clip Q16

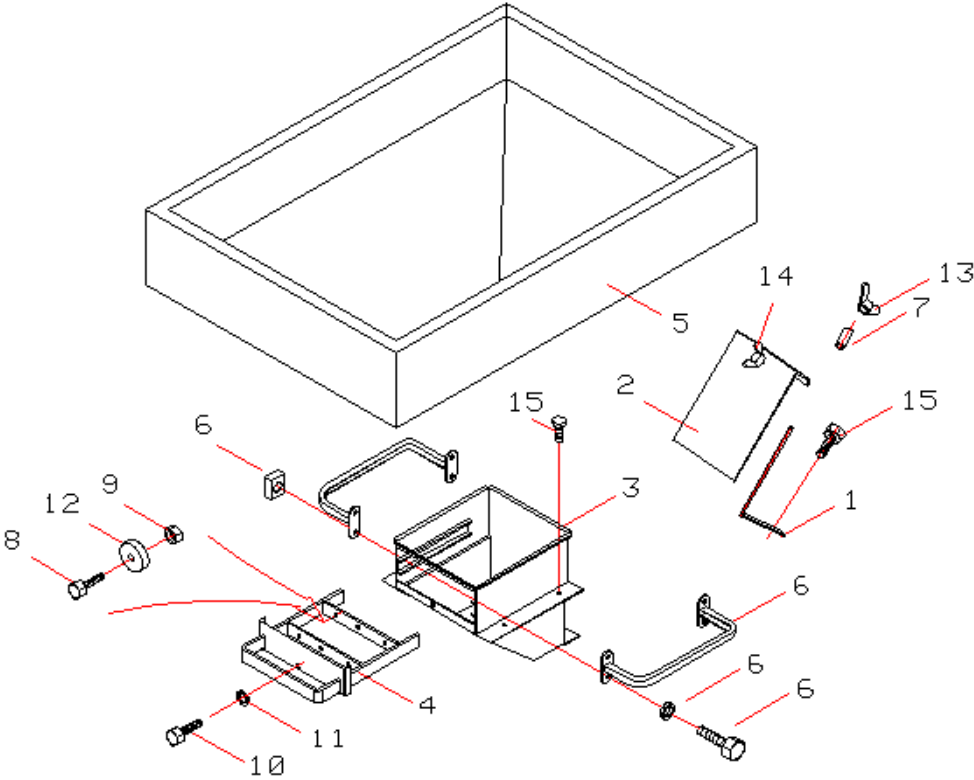
### KB160/2 and KB160/3 – Belt drive:

2	911190	Flat belt pulley (old No. 911156)
	2430109	Taperlock for flat belt pulley
3	2420108	V-belt pulley SPA 280-3, Ø 40
3	2430081	Taperlock for belt pulley spa280-3
4	2540018	V-belt SPA-X 2057 (3)
5	2420091	V-belt pulley A71-3 Ø 28
6	2420075	V-belt pulley SPA 224-1
6	2430077	Taperlock for belt pulley SPA 224-1
7	2420117	V-belt pulley SPA 100-1
7	2430109	Taperlock for belt pulley SPA 100-1
8	2520121	V-belt AA51
9	911192	Turning roller complete
13	6404011	Bearing 6301 2RS for turning roller (2)
	2320066	Electric motor 4 kW 1400 rpm B3

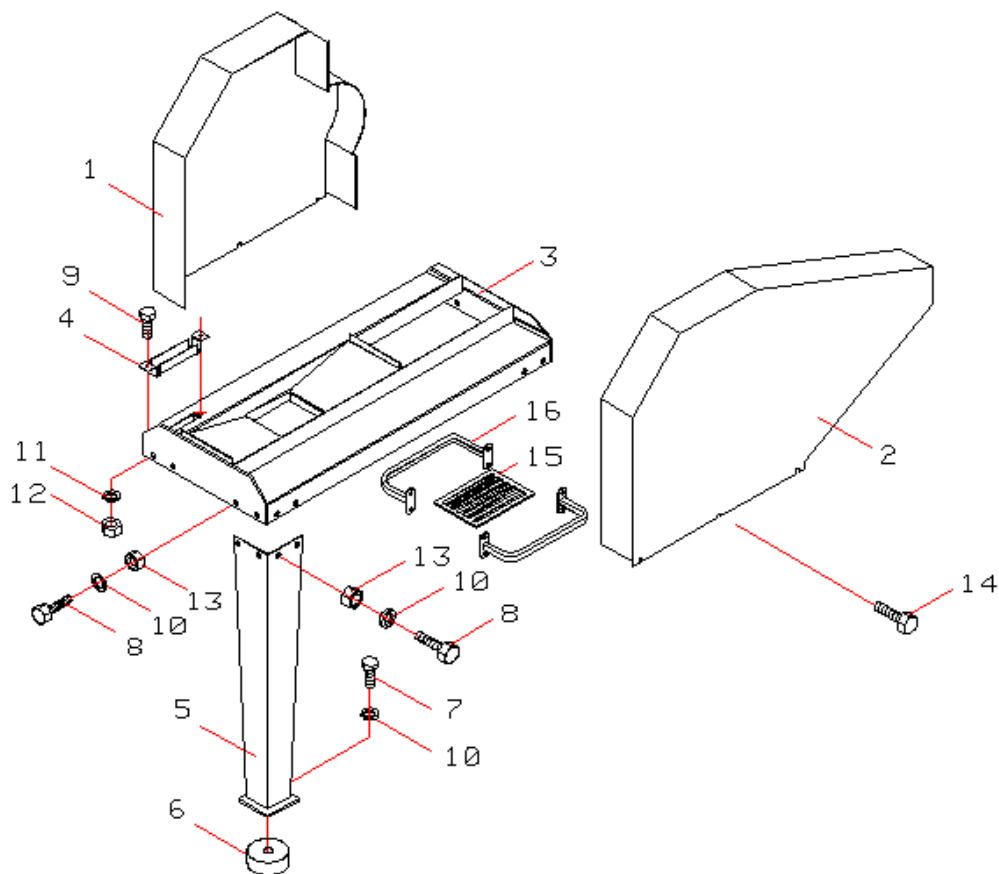
### KB160/2 and KB160/3 – Rollers, bearings etc.:

1	916759	Roller (2) (old No. 911153)
2	916760	Pre-crusher roller (old No. 911154)
10	911173	Scraper, complete (2) (old No. 911159)
12	916664	Bearing housing (4-6)
	6407068	Bearing for roller grae40krrb (4-6)
13	916666	Lock bushing (12-18)
14	911196	Adjustment arm
16	916658	Thread spindle
17	916643	Lock block with thread
18	916639	Lock block with freewheel
19	916575	Spring for scraper
21	6302029	Hand wheel
14+17+		
21+22+		
23+26	911197	Lock handle complete

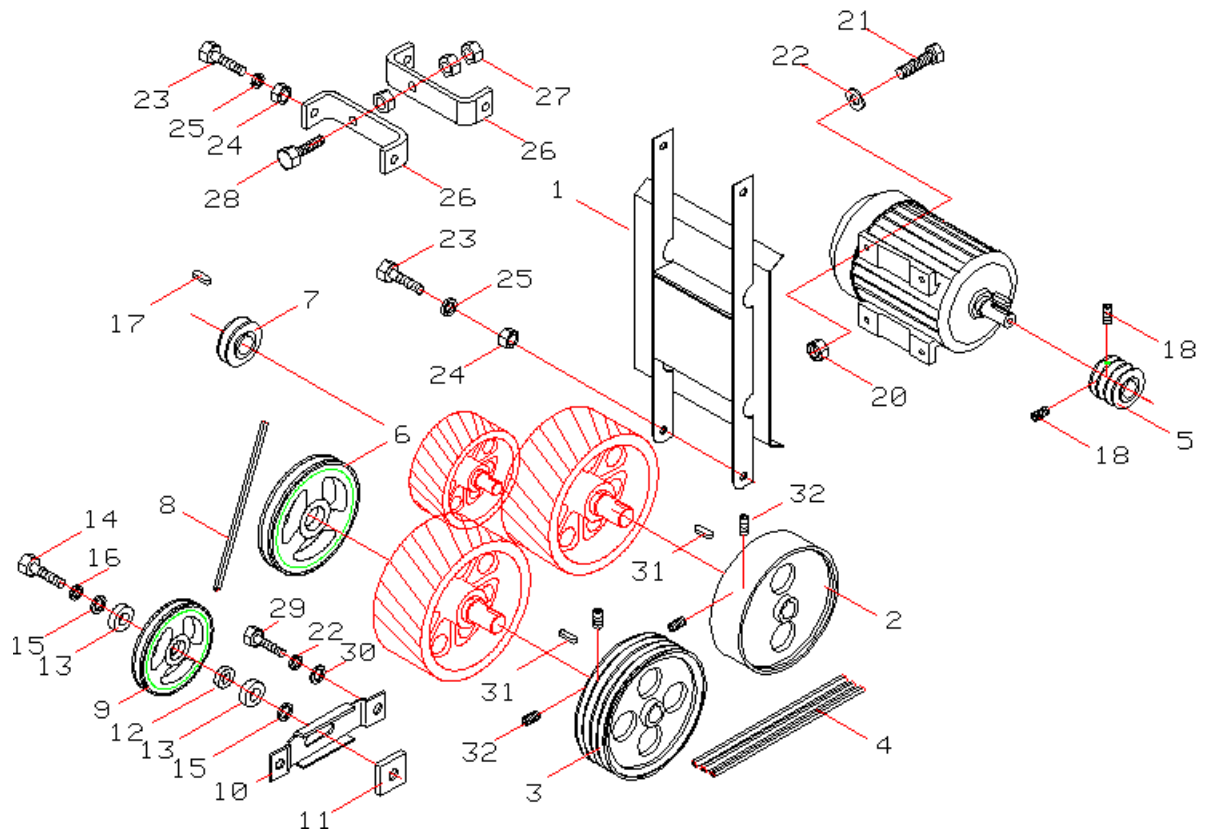
Spare parts drawing KB160/2 and KB160/3 – Hopper



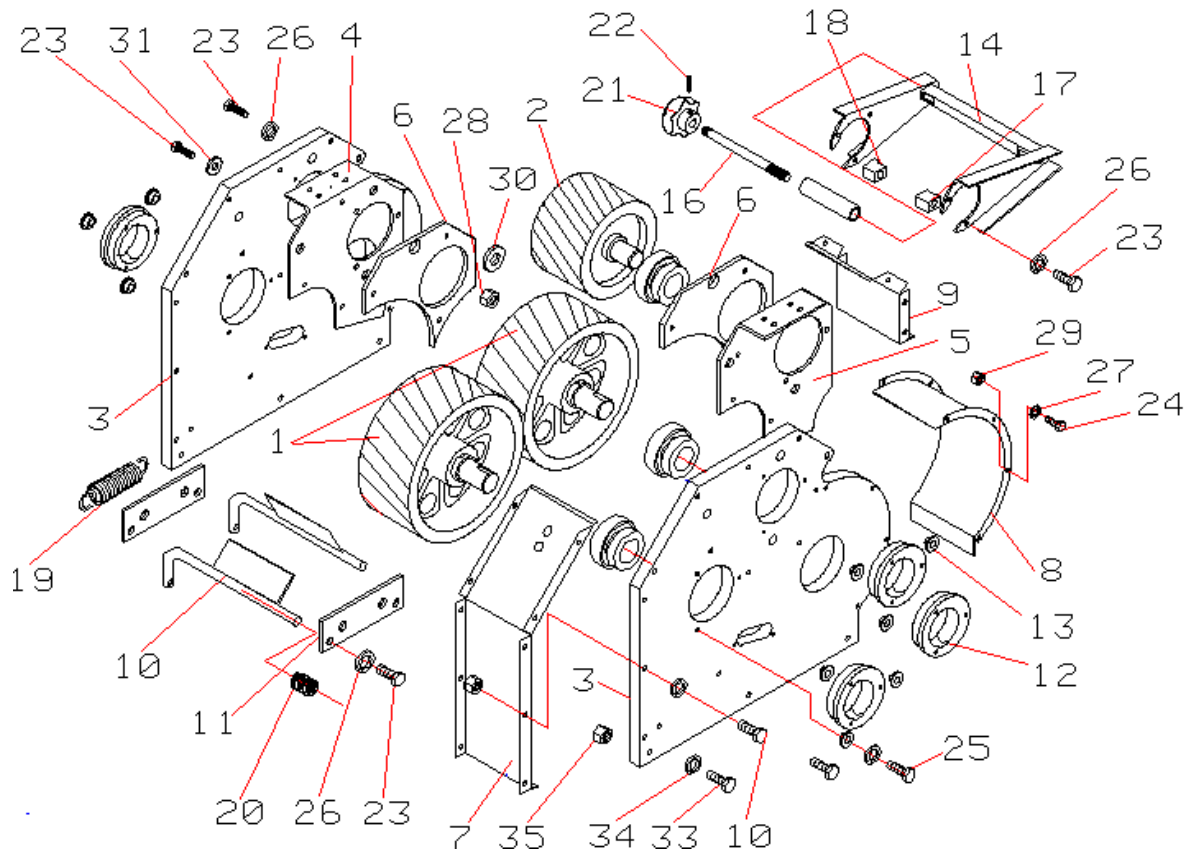
Spare parts drawing KB160/2 and KB160/3 – Legs and protection guards



**Spare parts drawing KB160/3 – Drive**



Spare parts drawing KB160/3 – Rollers, bearings etc.



**GRAIN CRUSHERS KB200/2 AND KB200/3 – OLD MODEL**

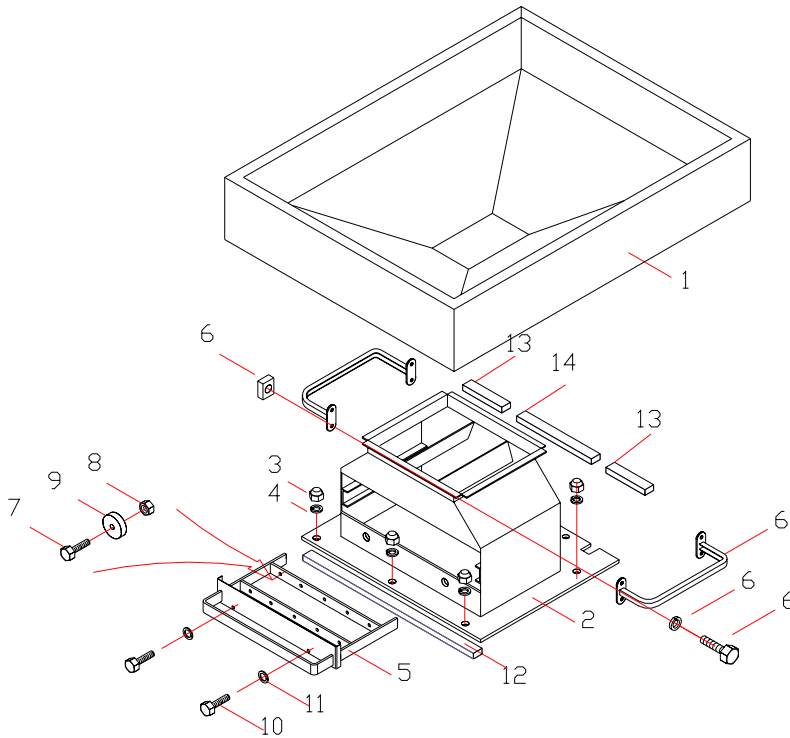
1	100018	Hopper
6	1800016	Clip Q16
9	7004767	Magnet (old No. 7004761) (12)
2	916567	Roller, drive
3	916568	Roller, driven
4	916569	Pre-crusher roller KB200/3
13	916578	Brace for adjustment of pre-crusher KB200/3
14	911166	Lock bolt (2)
15	916577	Brace for distance adjustment
17	916580	Lock for handle (2)
18	916699	Handle for distance adjustment (old No. 916579) (2)
20	916573	Scraper (2)
22	911161	Guard, left
23	911162	Guard, right
25	916572	Bearing housing, pre-crusher KB200/3 (2)
26	916571	Bearing housing, adjustable (2)
27	916570	Bearing housing, fixed (2)
32	916575	Spring for scraper
33	6407094	Bearing for pre-crusher KB200/3 SA 206(2)
	6404032	Bearing for pre-crusher KB200/3 GRAE 30 NPPB, after June 2003 (2)
34	6407068	Bearing for main rollers (4)
	916574	Turning roller, complete KB200/2
	916587	Turning roller, complete KB200/3
	916576	Spring for turning roller
	2520125	V-belt AA58.5 (2)
	2520126	V-belt AA66.5 (2)
	2520106	V-belt SPA 1657 (3)
	2420006	V-belt pulley, main drive SPA400x3 Ø 40
	2430067	Taperlock 3020 Ø 40
	2420008	V-belt pulley, double drive SPA200x2 Ø 40
	2420010	V-belt pulley, pre-crusher SPA90x2 Ø 30
	48100003	V-belt pulley A100-3 Ø 38 for motor



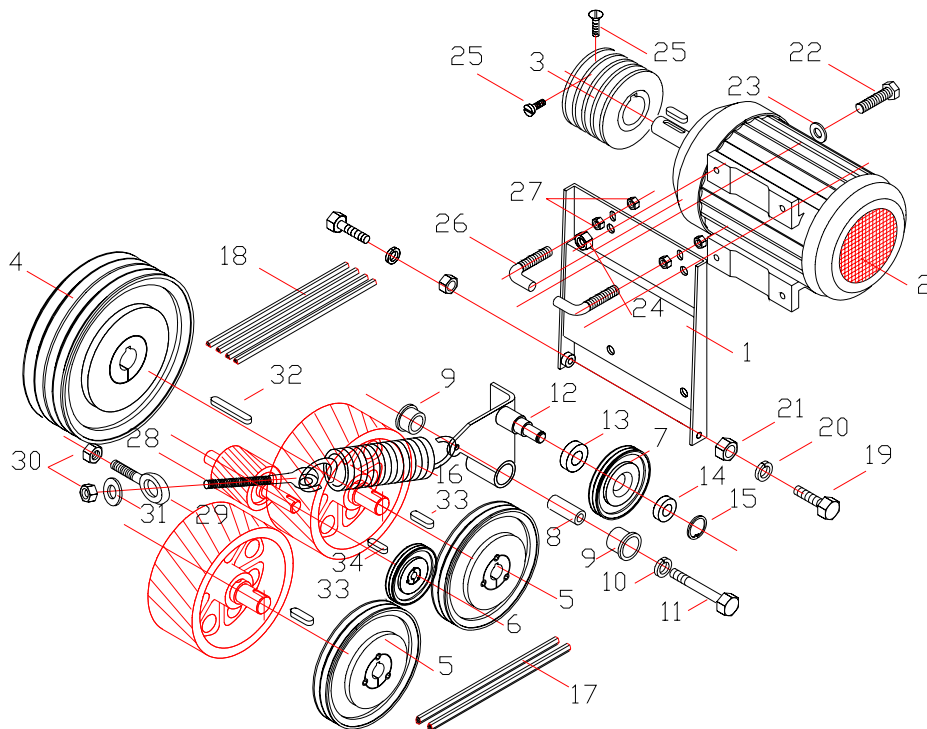
**GRAIN CRUSHERS KB300/3 – OLD MODEL**

1	100018	Hopper
2	911165	Inlet without regulation
6	1800016	Clip Q16
9	7004767	Magnet (old No. 7004761) (12)
2	911229	Roller, drive (old No. 916581)
3	911228	Roller, driven (old No. 916582)
4	911230	Pre-crusher roller, new model (old No. 916583) +
	2420010	V-belt pulley SPA90-2-1610 +
	2430109	Taperlock 1610 Ø40
13	916588	Brace for adjustment of pre-crusher
14	911166	Lock bolt (2)
15	916589	Brace for distance adjustment
17	916580	Lock for handle (2)
18	916699	Handle for distance adjustment (old No. 916579) (2)
20	916585	Scraper (2)
22	911163	Guard, left
23	911164	Guard, right
25	916591	Bearing housing, pre-crusher (2)
26	916584	Bearing housing, adjustable (2)
27	916604	Bearing housing, fixed (2)
32	916575	Spring for scraper
33	6407092	Bearing for main rollers (4)
34	6407093	Bearing for pre-crusher (2)
	916587	Turning roller, complete
	916576	Spring for turning roller
	2520123	V-belt AA67 (2)
	2520106	V-belt SPA 1657 (4)
	2420012	V-belt pulley, main drive SPA400x4 Ø 50
	2420008	V-belt pulley, double drive SPA200x2 Ø 40
	2420010	V-belt pulley, pre-crusher SPA90x2 Ø 30
	2420070	V-belt pulley A100-4 Ø 28 for motor

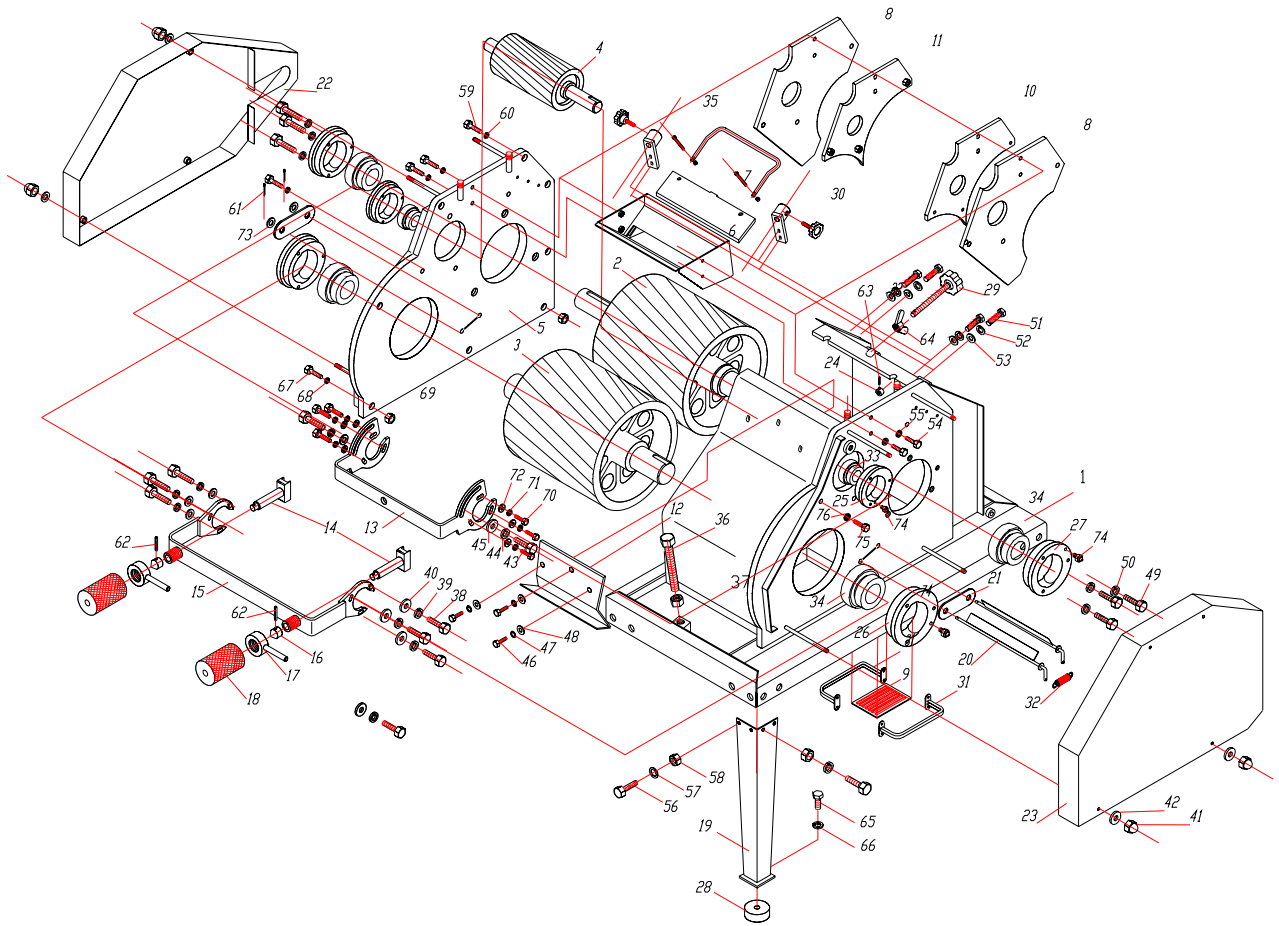
**Hopper – old model**



**Spare parts drawing KB200/2, KB200/3 and KB300/3 – Drive – old model**



Spare parts drawing KB200/2, KB200/3 and KB300/3 – old model



**GRAIN CRUSHER KB200/3 AND KB300/3 – NEW MODEL**

**Inlet**

1	100018	Inlet hopper
2	1800016	Clamp Q16
3	911185	Magnet tray complete
4	7004767	Magnet (12)
7	6003626	Wing bolt M6x16
9	6302009	Hand wheel M8x25
10	6302013	Ball handle M10
11	911203	Handle for throttle

**Legs and protection guards**

1	911121	V-belt guard, right
3	916726	V-belt guard, left
1+3	911221	Set of V-belt guards, right/left
4	910070	Set long legs incl. vibration dampers
4	910071	Set short legs incl. vibration dampers
5	916719	Safety grate
6	1800038	Clamp Q20

	<b>KB200/3</b>	<b>KB300/3</b>	
2	2420006	2420012	V-belt pulley SPA400-3/4
3	2420086	2420086	Taperlock 3020 Ø50
4	2520106	2520106	V-belt SPA 1657 (3-4)
5	2430103	2430103	Taperlock 1610 Ø38
6	2420120	2420121	V-belt pulley SPA100-3/4
7	916664	916664	Bearing housing pre-crusher (2)
9	916666	916666	Lock bushing (6)
10	916682	916736	Bearing housing main roller (4)
11	6407068	6407068	Bearing GRAE 40 NPPB (2)
12	6407098	6407092	Bearing GE50/60 KRRB (4)
16	916679	916746	Adjustment bow for pre-crusher
18	911216	911234	Adjustment bow for main roller
20	916720	916720	Stop for adjustment bow
22	911215	911215	Side plate complete, right
23	911217	911230	Pre-crusher roller
24	911201	911229	Roller, driving
25	911218	911228	Roller, adjustable
26	916723	916723	Suspension for scraper ( 2)
27	911198B	911223B	Scraper (2)
28	916575	916575	Spring for scraper
34	911212	911212	Side plate complete, left
35	2420010	2420010	V-belt pulley SPA90-2
36	2430109	2430109	Taperlock 1610 Ø40
37	2420008	2420008	V-belt pulley SPA200-2 (2)
38	2430081	2430081	Taperlock 2517 Ø40 (2)
39	2520126	2520126	V-belt AA1740 (2)

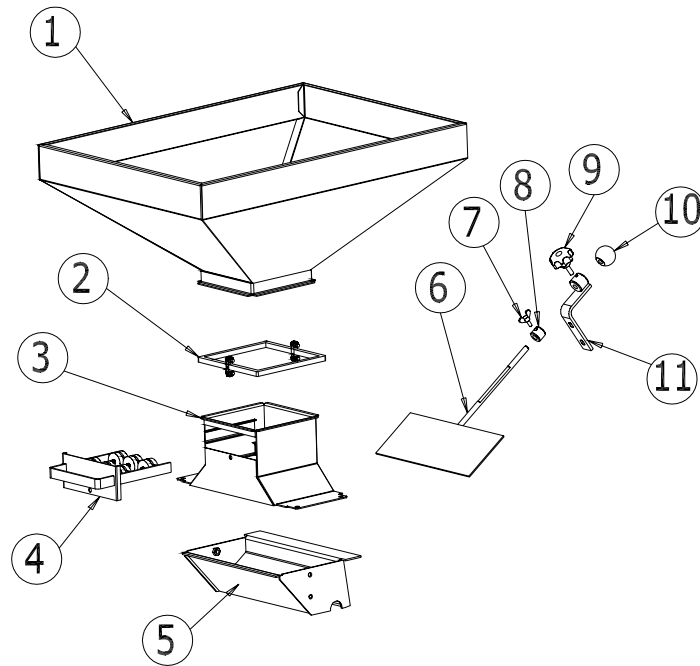
**SPARE PARTS LIST**  
**POS. ORDER NO.**

**DESCRIPTION**

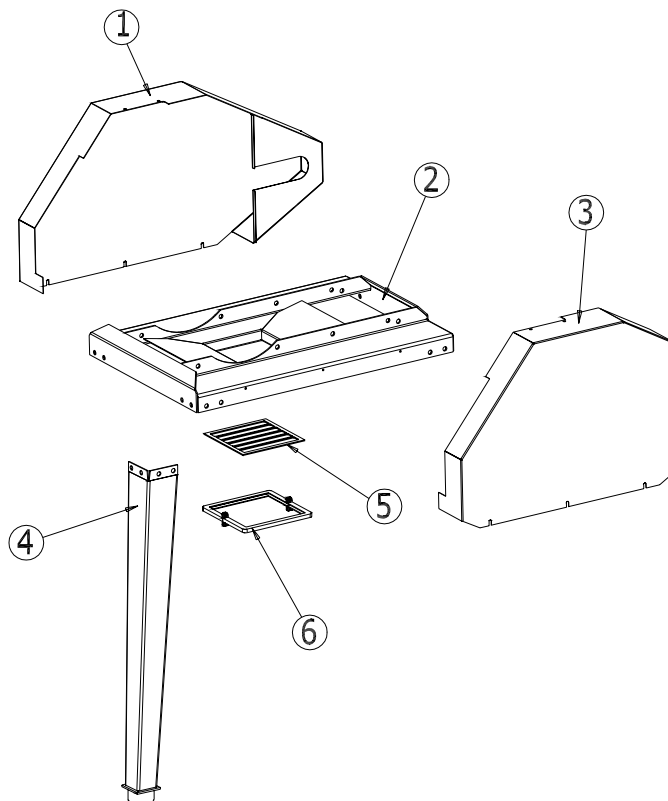


41	911205	911205	Turning roller complete
42	916576	916576	Spring for turning roller
47	911206	911227	Motor bracket
48	916707	916707	Tightening bolt (2)

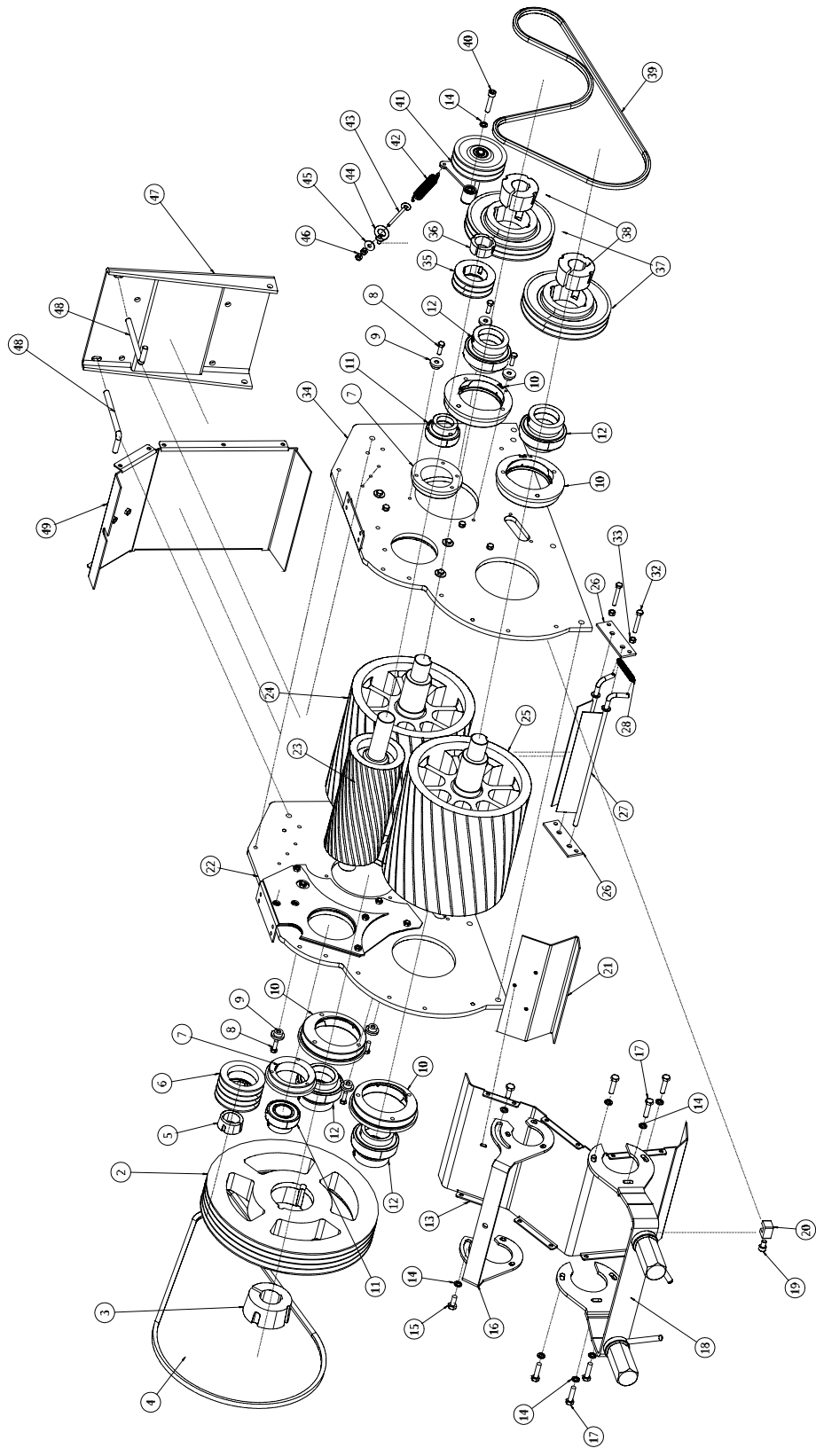
**Inlet KB200/3 and KB300/3 – new model**



**Legs and protection guards KB200/3 and KB300/3 – new model**



KB200/3 and KB300/3 – new model



**GRAIN CRUSHER KB100**

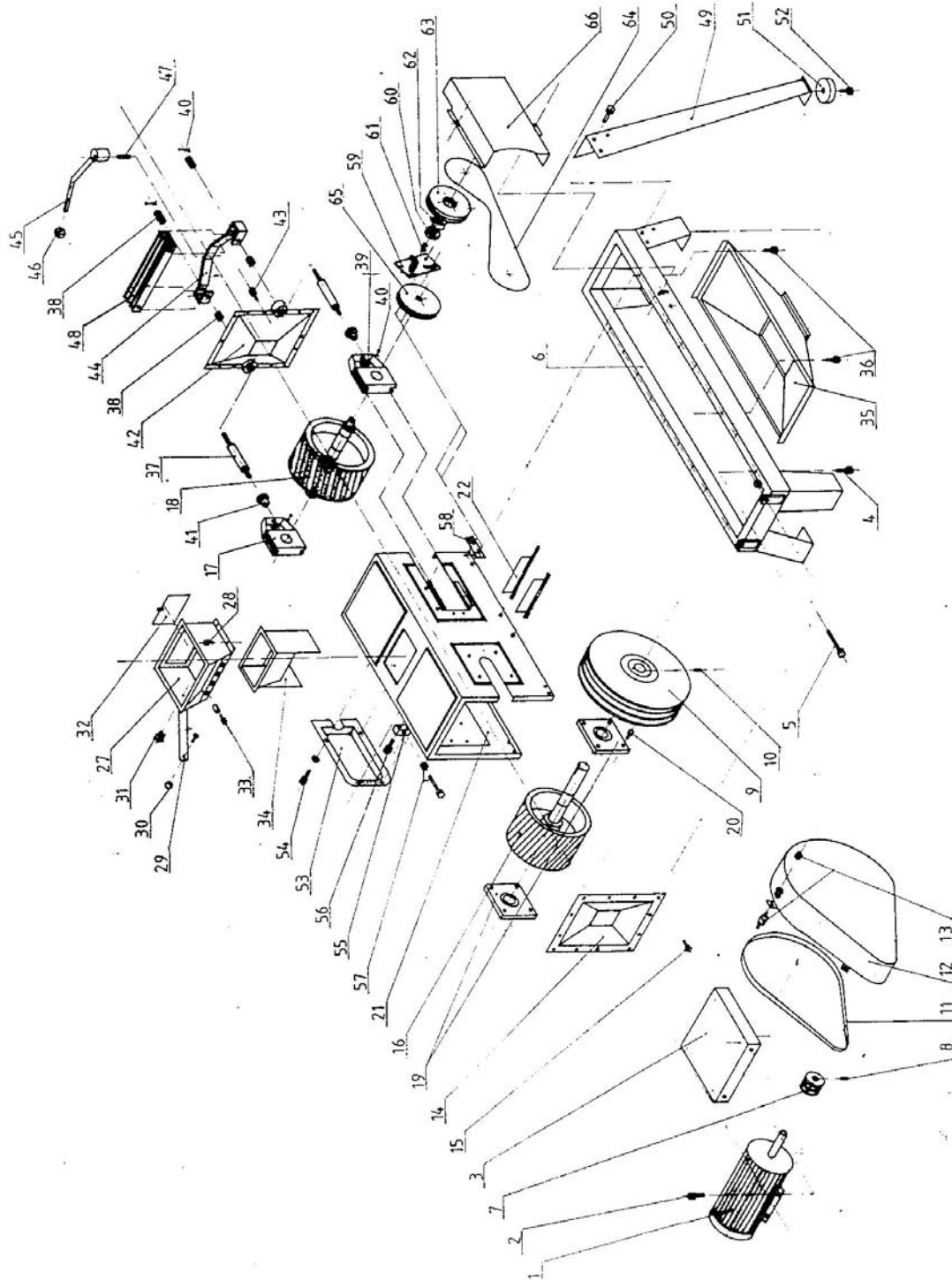
	6000477	Set screw M12 x 100
7	910026	Belt pulley for motor A-3-75
9	913014	Belt pulley for crusher A-3-355
11	2520053	V-belt A-53 (3)
12	911118	Belt guard
13	6306057	Vibration dampers (3)
13	6000920	Nut M8 (3)
16	911048	Driving roller with shaft
17	916478	Tightening ball bearing complete (2)
	7407071	Loose bearing
18	911049	Crusher roller with shaft
	911104	Crusher roller for double drive
19	6407077	Bearing for driving roller complete (2)
	6407071	Loose bearing
21	911028	Housing
22	911107	Scraper (2)
25	914035	Spring
30	6302013	Bakelite ball M10 x 40
31	6302007	Hand wheel
32	914057	Inspection window
	7004101	Quick lock
33	6306051	Magnet (2)
34	911050	Inlet hopper
35	911017	Outlet
37	916222	Thrust shaft (2)
41	914065	Bushing (2)
42	911047	End plate
44	916223	Bow
45	911040	Quick releaser
46	6302014	Bakelite ball M12 x 40
47	914071	Pin for quick releaser
48	916224	Laminated spring (4)
	916287	Guard for noise suppression (2)

**Special parts for double drive:**

59	911103	Tightening plate
60	6401028	Bearing
63	916409	V-belt pulley
64	2520121	V-belt
65	916408	V-belt pulley (crusher roller)
	1125065	Parallel key
66	911102	Belt guard



Spare parts drawing crusher KB100



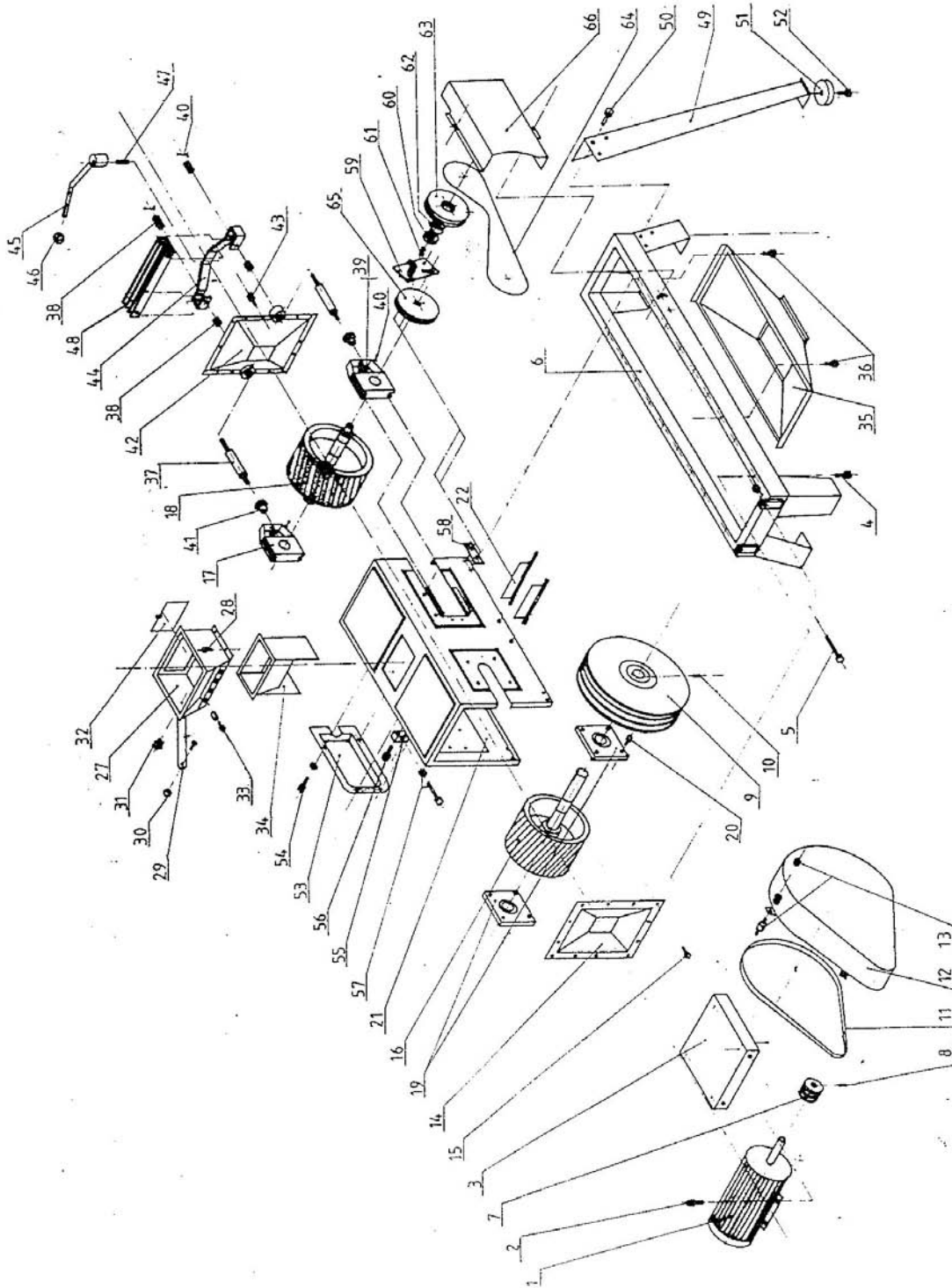
**GRAIN CRUSHER KB150**

7	910026	V-belt pulley for 4 kW A-3-75
	910027	V-belt pulley for 5.5-7.5 kW
9	913014	V-belt pulley for crusher A-3-355
11	2520053	V-belt A-53 (3)
12	911118	Belt guard
	916454	Inside guard for belt guard
13	6306057	Vibration dampers (3)
16	914067	Driving roller with shaft
17	916478	Tightening ball bearing complete (2)
	6407071	Loose bearing
18	911101	Crusher roller for single and double drive
19	6407077	Bearing for driving roller complete (2)
	6407071	Loose bearing
21	911028	Housing
22	911107	Scraper (2)
25	914035	Spring
27	911152	Inlet complete
31	6302007	Hand wheel
32	914057	Inspection window
32	7004101	Quick lock
33	6306051	Magnet (4)
34	914062	Inlet hopper
35	911017	Outlet
37	916222	Thrust shaft (2)
41	914065	Bushing (2)
42	911047	End plate
45	911040	Quick releaser
46	6302014	Bakelite ball M12 x 40
47	914071	Pin for quick releaser
48	916224	Laminated spring (4)
51	6306052	Vibration dampers (4)
53	916287	Guard for noise suppression (2)
67	911108	Guideway, set
	915096	Guide for bearing (4)
	613006	Spring
	916456	Thrust plate
	6111075	Plate spring (40)

**Special parts for double drive:**

59	911103	Tightening plate
60	6401028	Bearing
63	916409	V-belt pulley
64	2520121	V-belt
65	916408	V-belt pulley (crusher roller)
	1125065	Parallel key
66	911102	Belt guard

Spare parts drawing crusher KB150



**PRE-CRUSHER**

1	916253	Stop ring
2	6205053	Pipe pin Ø 4 x 30
3	911059	Spindle
4	6002007	Steel disc
9	911057	Driven roller with shaft
13	6407005	Flange bearing (4)
	2520071	V-belt A-71 (3)
20	911056	Drive roller with shaft
26	6205055	Pipe pin Ø 4 x 45 (2)

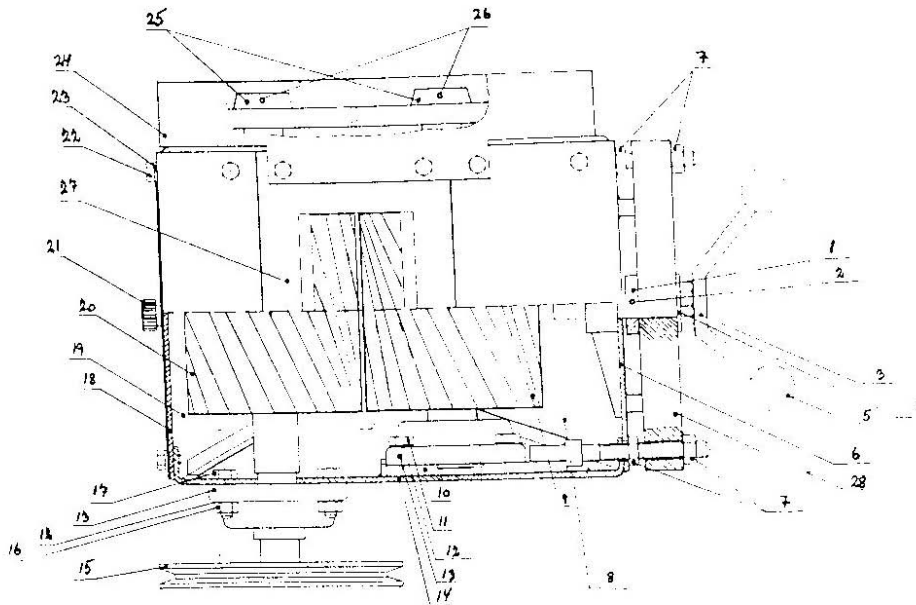
**Type 910030:**

25	916539	Cog wheel, t = 35 (2)
----	--------	-----------------------

**Type 910062:**

25	916537	Cog wheel, t = 36 (2)
----	--------	-----------------------

**Spare parts drawing pre-crusher**

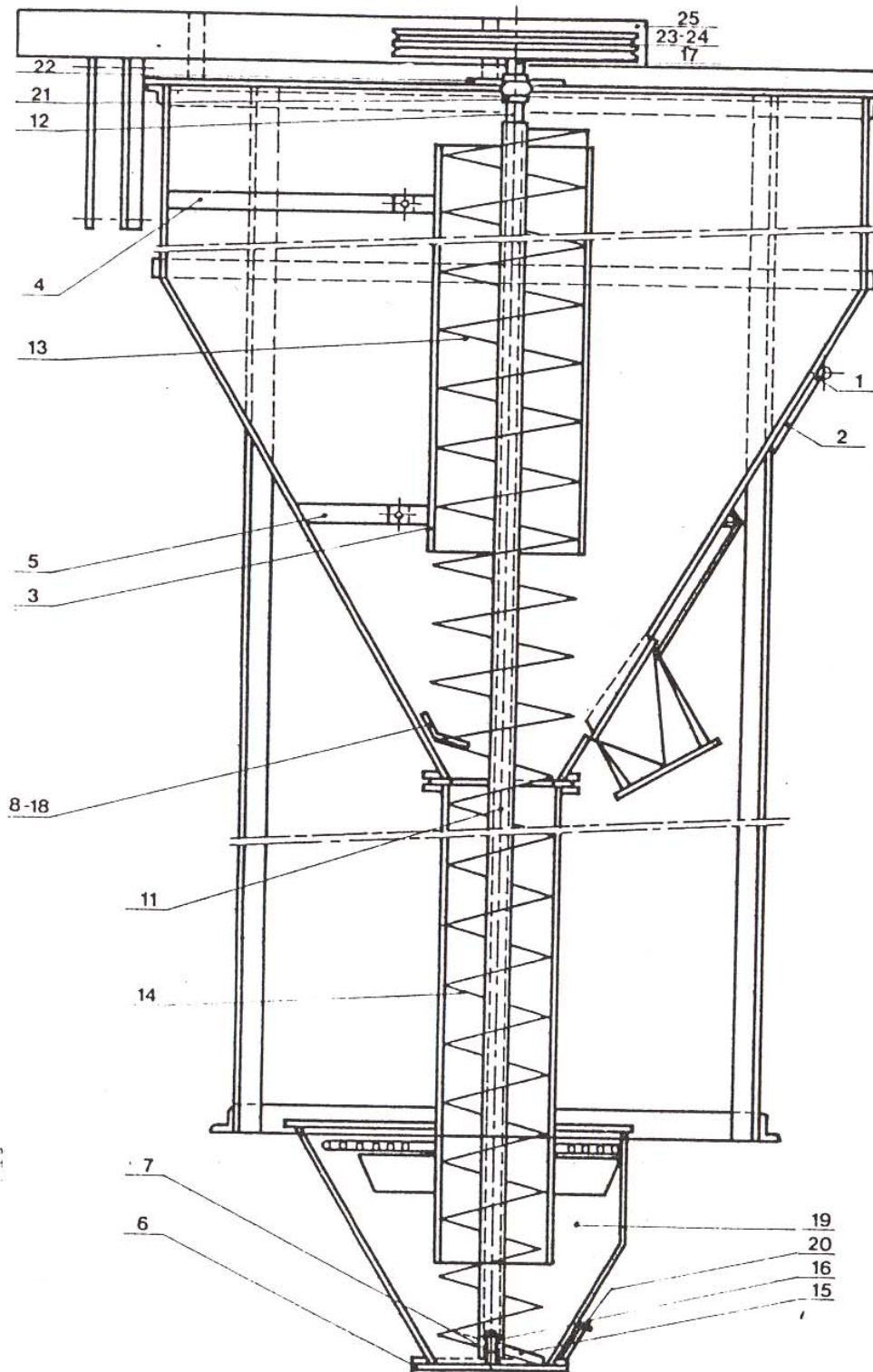


## VERTICAL MIXER LAMIX

1	613023	Inspection window
2	613024	Frame for inspection window
3	611021	Forced pipe for type 2
	611018	Forced pipe for type 3
	611019	Forced pipe for type 4
4	613026	Suspension for forced pipe, upper (3-6)
5	613027	Suspension for forced pipe, lower (3)
6	613029	Bottom plate
7	613030	Pin
	6000464	Bolt M12x25 FZB for pin
	6001169	Disc M12 FZB for pin
8	600013	Scraper
9	613059	Stop ring 5 mm thick
10	173001	Washer
11	611024	Auger A-2
	611025	Auger A-3
	611026	Auger A-4
	631013	Auger B-2
	631014	Auger B-3
	631011	Auger B-4
	621007	Auger A-3 CENTRI
	651002	Auger C-3
15	653000	Scraper, bottom
16	613005	Bearing, bottom
17	613006	Key
18	613007	Weight
19	611003	Bottom hopper model A
	631000	Bottom hopper model B
20	613014	Bottom inspection door
21	6407071	Upper bearing (ball bearing)
22	6407072	Bearing housing
23	2520012	V-belt A-112 (2)
24	2520016	V-belt A-116 (2 or 3)



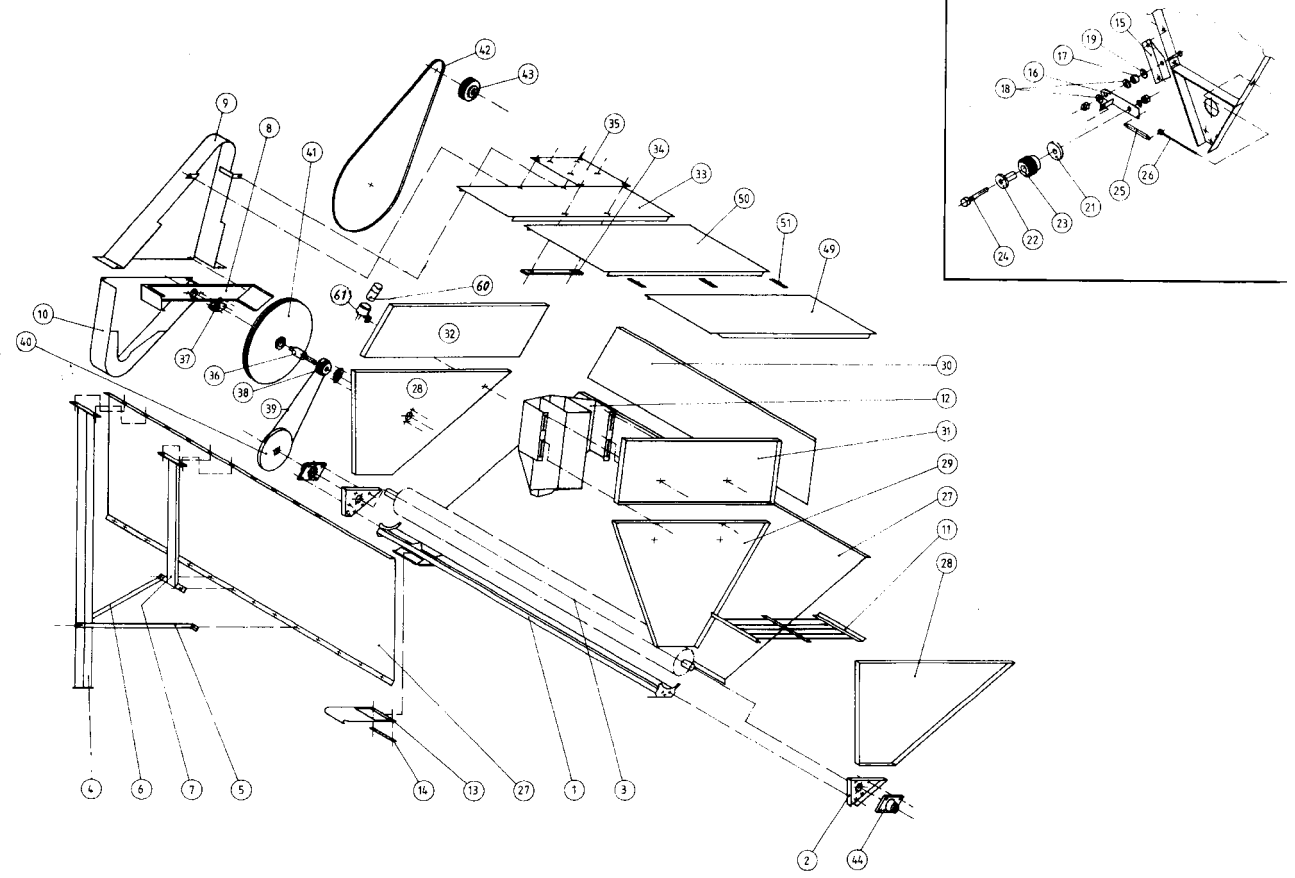
Spare parts drawing vertical mixer LAMIX



**DIAGONAL MIXER UNI-MIX 500**

1	591084	Bottom
2	591087	Bearing plate (2)
3	591089	Auger
4	591091	Legs
8	591097	Bracket for intermediary shaft
9	591100	V-belt guard
10	591103	Chain guard
12	591109	Guiding plate
13	591112	Throttle
16	591115	Arm for tension roller
19	6002006	Washer 12 mm
	6001015	Lock nut M10
21	298160	Distance ring
22	595059	Shaft for tightening roller
	6001169	Washer 12 mm
	6000922	Nut M12
25	595087	Spring
26	595099	Spring tightener
	2320060	Motor 2.2 kW 1400 rpm
36	595272	Intermediary shaft
37	6407064	Bearing (2)
38	595273	Chain cog wheel ½" x 5/16" Duplex
	1125065	Key A8x7x25
39	595275	Chain ½" x 5/16" Duplex
	6900244	Straight joint
	6900250	Cranked joint
40	595274	Chain cog wheel ½" x 5/16" Duplex
	1116046	Key A8x7x32
41	600003	V-belt pulley A-500-2
42	2520074	V-belt A-74 for 300 kg (2)
	2520010	V-belt A-100 for 500 kg (2)
43	2420066	V-belt pulley A-95-2
	2430101	Taperlock 1610 Ø 28
44	595278	Bearing (2)
	6004013	Allen screw M10x30 (8)
49-50-51	590029	Deckel
60	7005615	Chain spray
	595060	Tension roller
	595059	Shaft for tension roller

Spare parts drawing diagonal mixer UNI-MIX 500



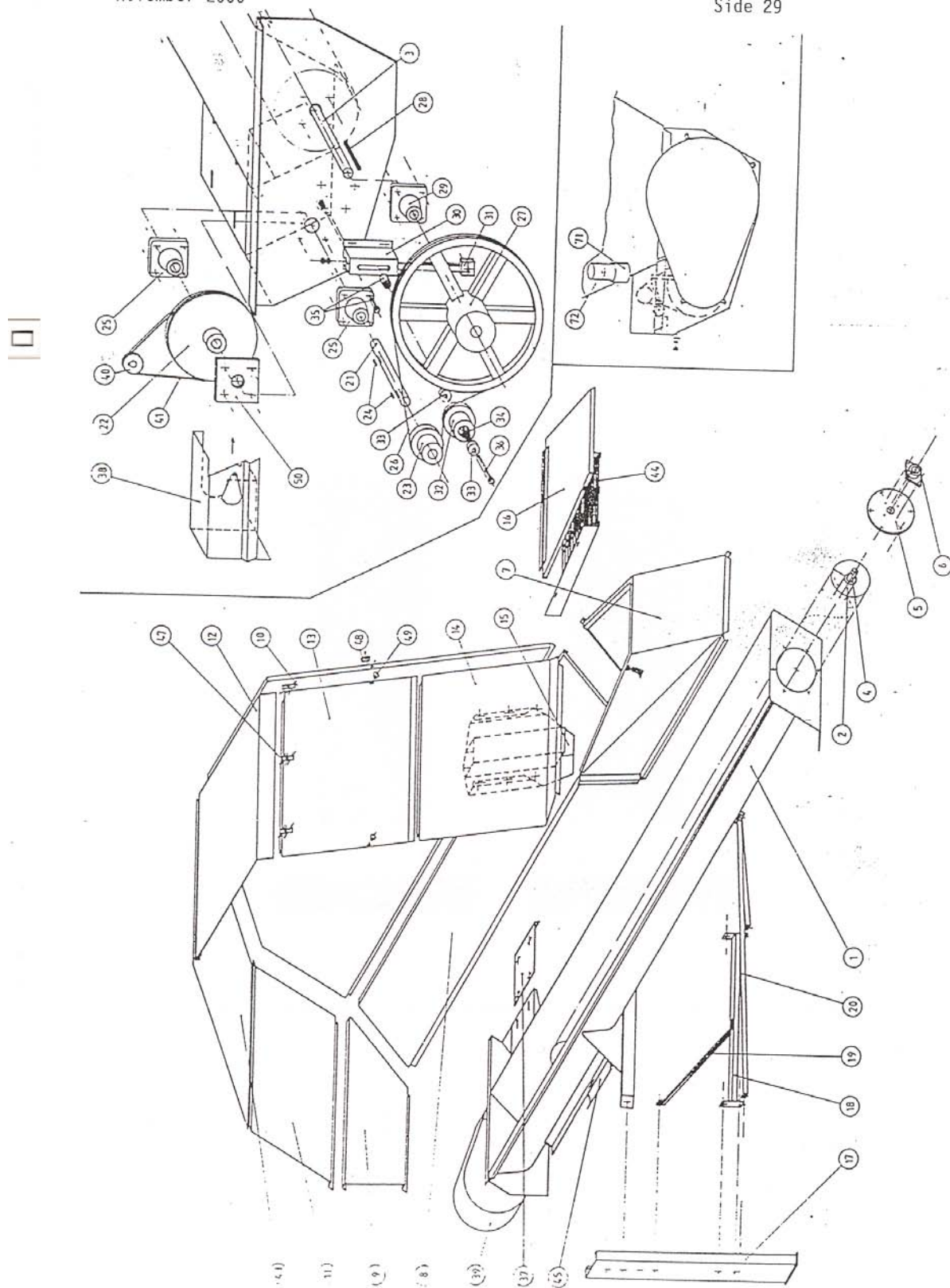


**DIAGONAL MIXER UNI-MIX 1000, OLD MODEL**

2	591026	Mixer auger
6	6407077	Bearing RCJ 40
21	595104	Intermediary shaft
22	591041	Duplex chain wheel 65 teeth 1/2" x 5/16"
23	595171	Chain wheel 11 teeth, 1"
24	1125065	Parallel key 8 x 7 x 25 (2)
25	6407005	Bearing FY 30 TF (2)
26	595172	Chain for auger 1"
	6900234	Straight joint
28	143008	Parallel key 12 x 8 x 28
29	6407077	Bearing RCJ 40
32	595175	Tightening chain wheel
33	6404011	Ball bearing
34	595174	Distance bushing
40	595168	Duplex chain wheel 17 teeth
41	595169	Chain 1/2" x 5/16" Duplex
	6900244	Chain joint, straight
	6900250	Chain joint, bent
72	7005615	Chain spray
	595060	Tension roller
	595059	Shaft for tension roller

Spare parts drawing for UNI-MIX 1000, old model

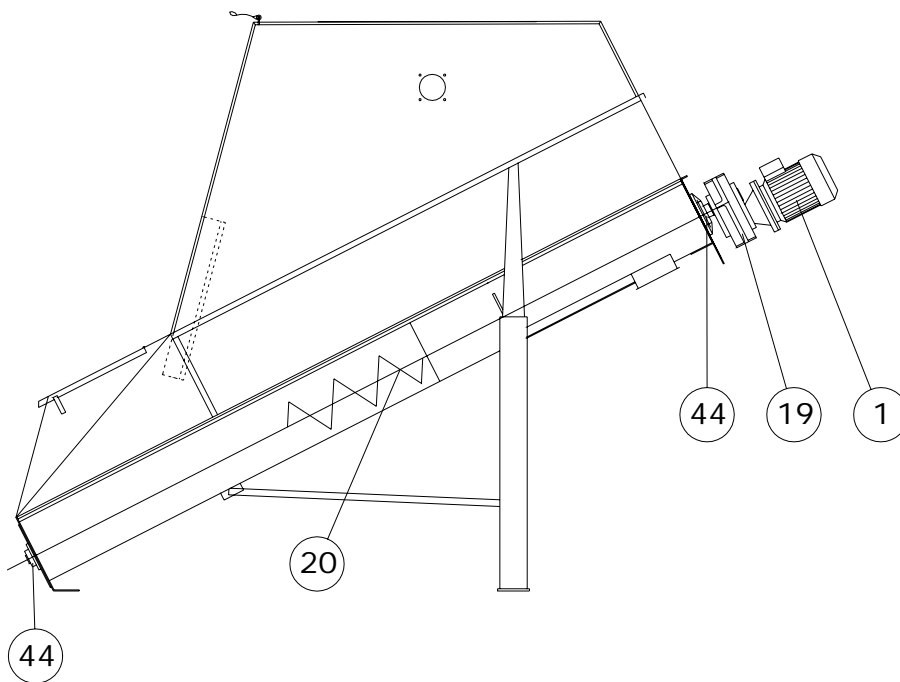
Side 29



DIAGONAL MIXER UNI-MIX 1000 GM

20	591026	Mixing auger
44	6407077	Bearing
44	6407077	Bearing
19	6801007	Gear
1	2320093	Motor 4 kW 1400 rpm
	591023	Superstructure
	7004056	Seal list (1.7 m)
	595388	Lock for cover for manual intake (2)

**Spare parts drawing diagonal mixer UNI-MIX 1000 GM**

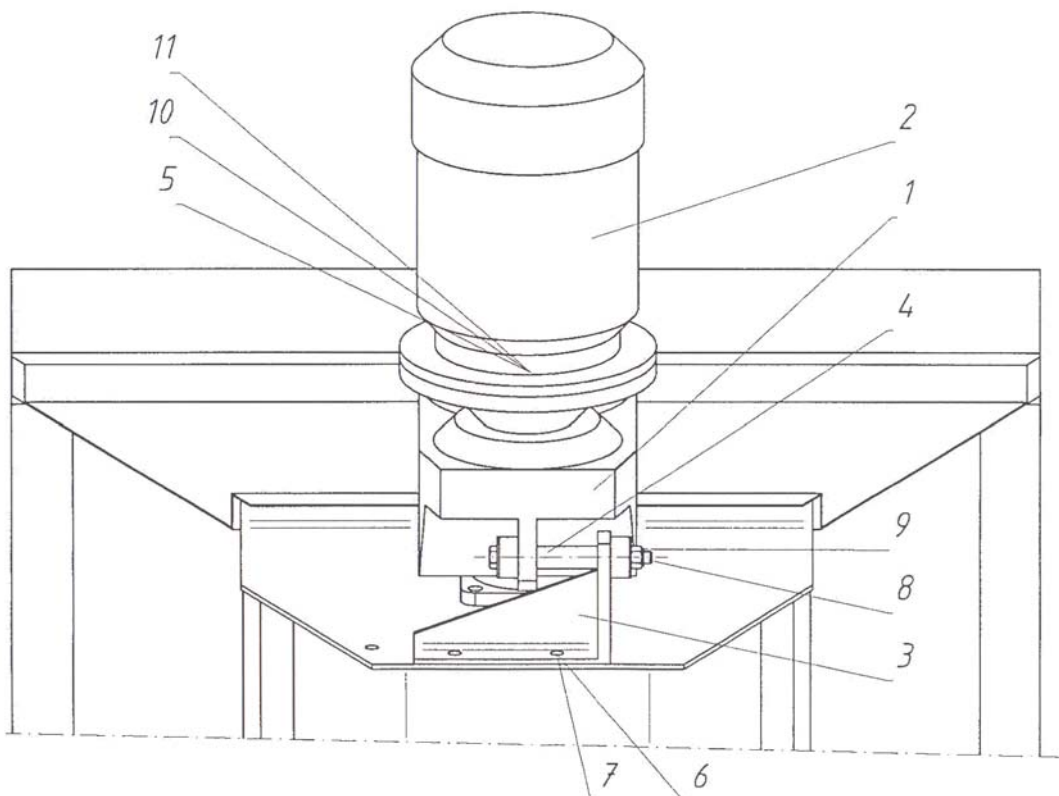


## DIAGONAL MIXER UNI-MIX 1000

### Parts for re-construction of old model to gear motor drive

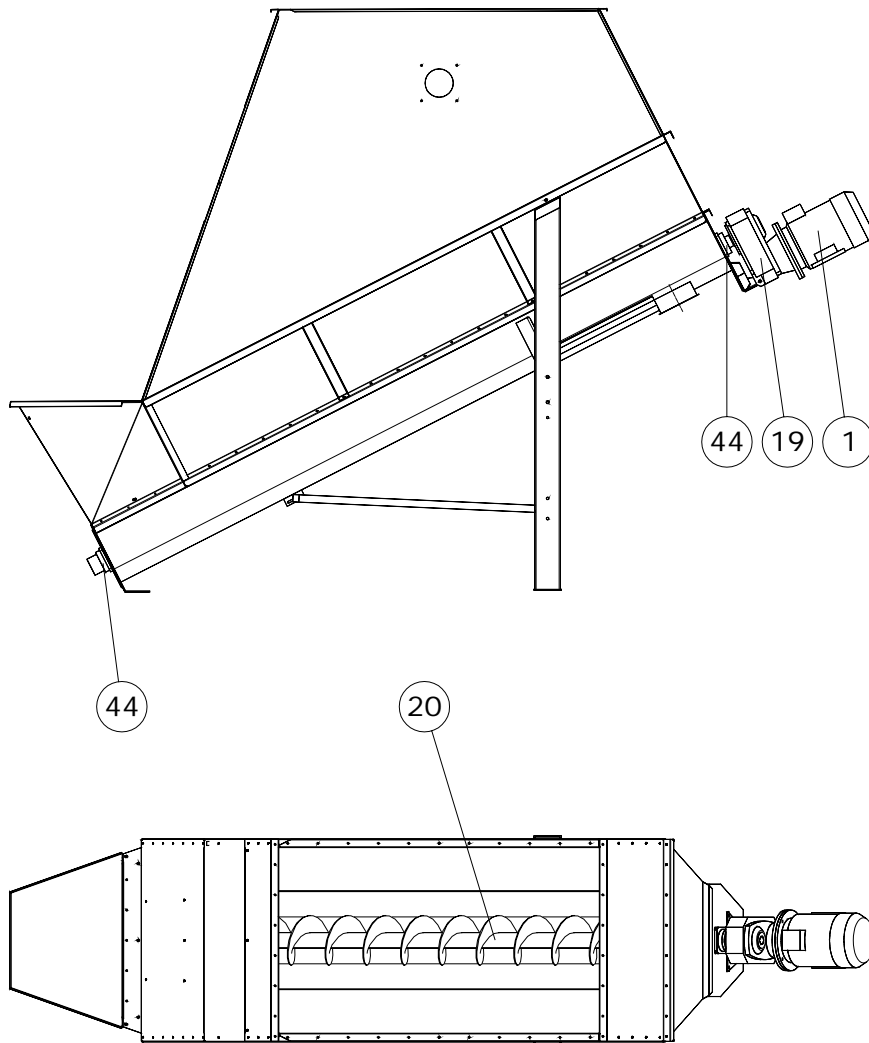
Only possible if the shaft is 40 mm.

1	6801007	Gear
2	2320093	Motor 4 kW 1400 rpm
3	591199	Holder
4	595432	Distance pipe
5	173001	Washer
6	6000464	Set screw M12x25 (2)
7+9	6001016	Lock nut M12 (3)
8	6000478	Set screw M12x150
10	6000539	Screw
11	6001169	Washer (4)
	6306059	Vibration damper (2)
	6000473	Bolt 12x45 (4)
	6001169	Washer M12 (4)
	6001016	Lock nut M12 (4)



## DIAGONAL MIXER UNI-MIX 1500 GM

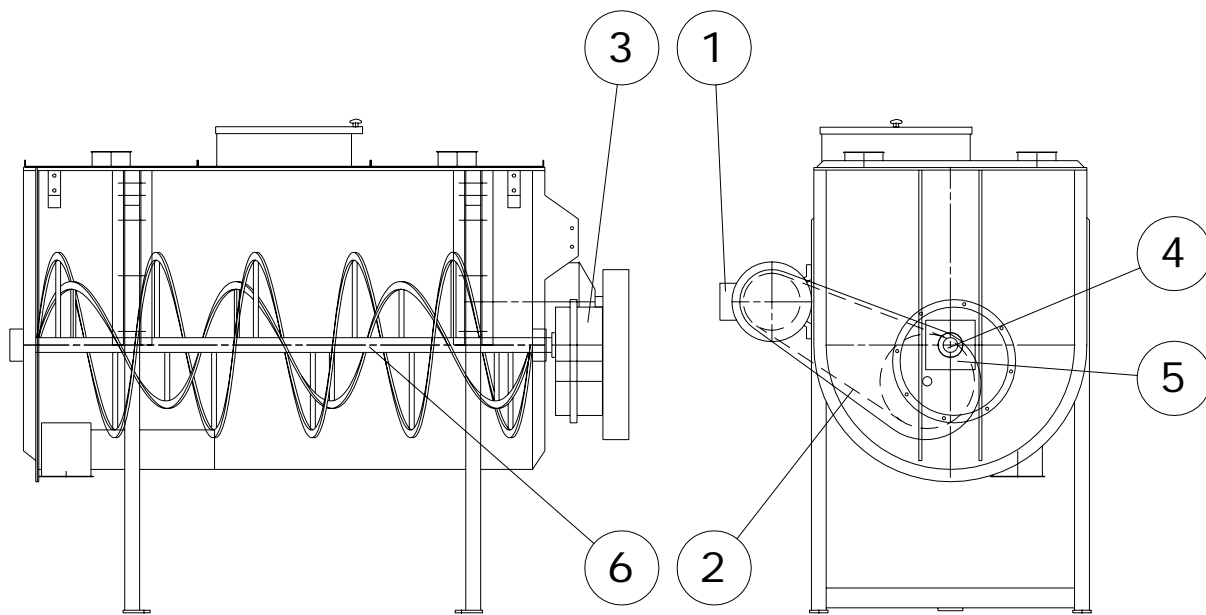
20	591026	Mixer auger
44	6407077	Bearing (2)
19	6801017	Gear
1	2320096	Motor 5.5 kW 1400 rpm B5



**HORIZONTAL MIXER H-1000**

1	2320069	Electric motor 11 kW 1400 rpm B3
2	2520105	V-belt SPA 2207 (3)
3	6801024	Shaft gear TA60.60/D i=25
4	6407078	Flange bearing RCJO 60
5	591200	Slide bearing

**Spare parts drawing**



### **HORIZONTAL MIXER TYPE 3**

1	6802232	Magnet valve	fig. 11
2	6802195	Air tube (2)	fig. 13
3	6802230	Union (3)	fig. 1
4	6802161	Variable flow control valve	fig. 13
5	6802229	Union	fig. 1
6	6802234	Cylinder with variable flow control valve	fig. 13
7	7004619	Rubber list packing (6.5 m)	fig. 1
8	759000055	End stop (4) (old No. 2385084)	fig. 12
9	6900328	Bearing (2)	fig. 1
10	6801024	Gear	fig. 2
11	2320069	Motor	fig. 2
12	2420077	Belt pulley (gear)	fig. 2
13	2420080	Belt pulley (motor)	fig. 2
14	2430086	Taperlock (motor)	fig. 2
15	2420079	Taperlock (gear)	fig. 2
16	2520105	V-belt (3)	fig. 2
17	595458	Bearing housing (2)	fig. 6
18	595457	Bearing (2)	fig. 7
19	595460	Parallel key	fig. 1
20	591203	Auger	fig. 1
	590105	Auger cpl. with bearings	
21	595463	Bushing set for closing arms	fig. 8
22	595464	Cotter bolt set for closing arms	fig. 5
23	591205	Support bearing (4)	fig. 9
24	595461	Rotary fittings	fig. 3
25	595462	Fork	fig. 4
26	6407005	Bearing (4)	fig. 10

Spare parts sketches for horizontal mixer type 3

Fig. 1

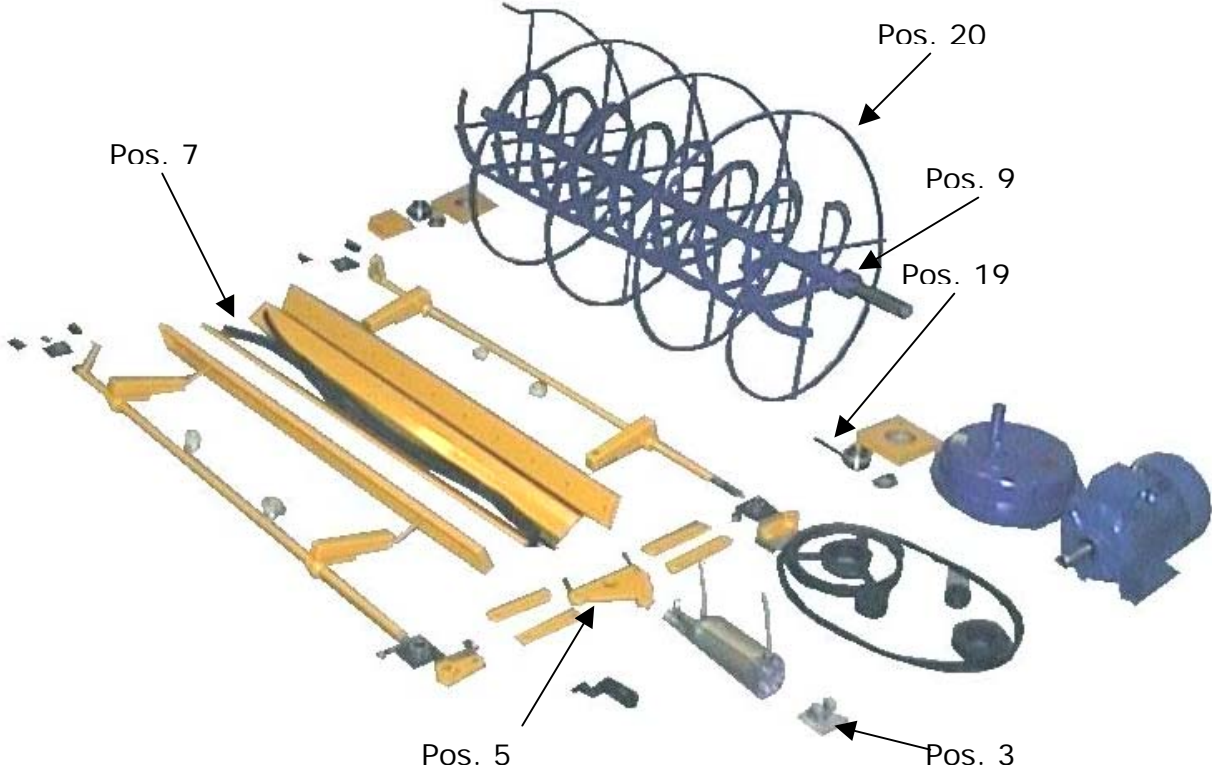




Fig. 2 and 3

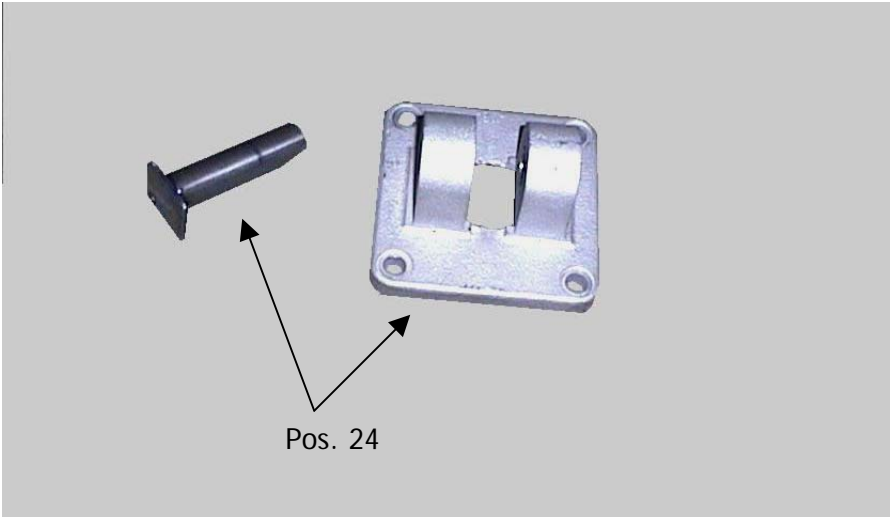


Fig. 4 and 5

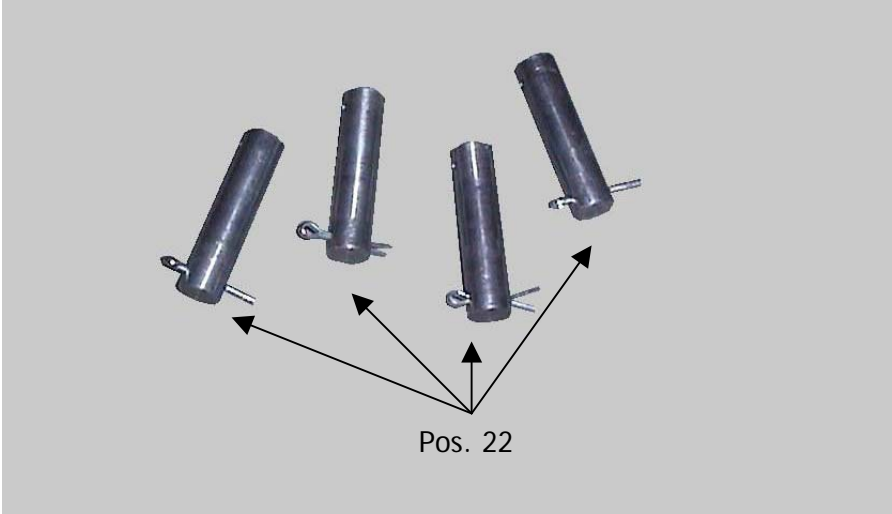
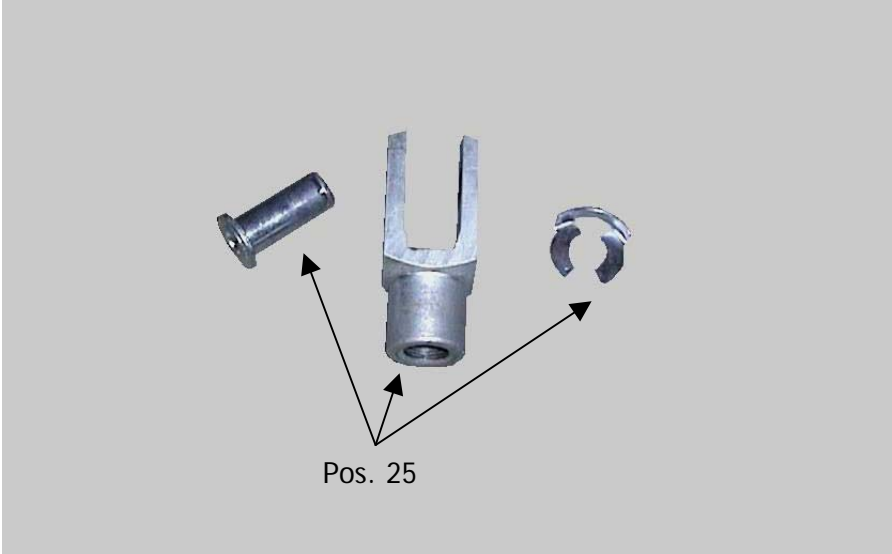


Fig. 6, 7 and 8

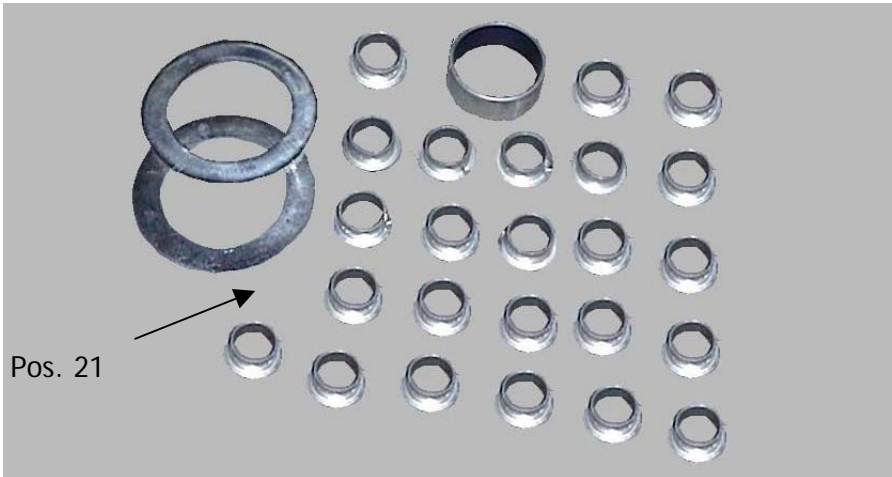


Fig. 9 and 10

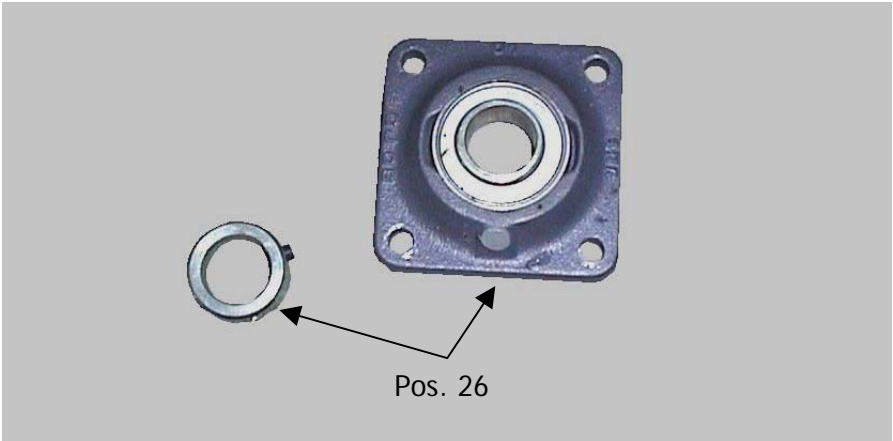
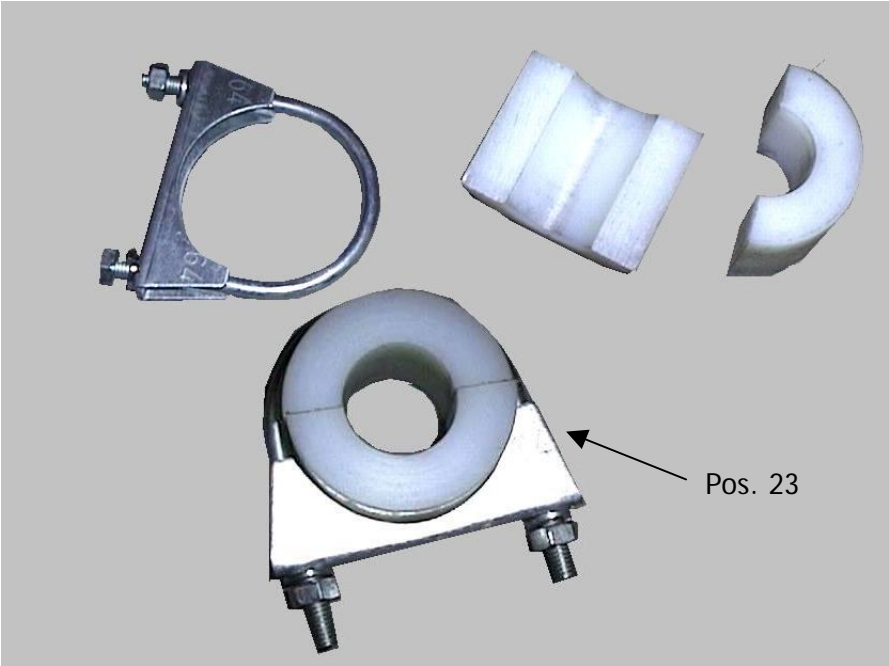
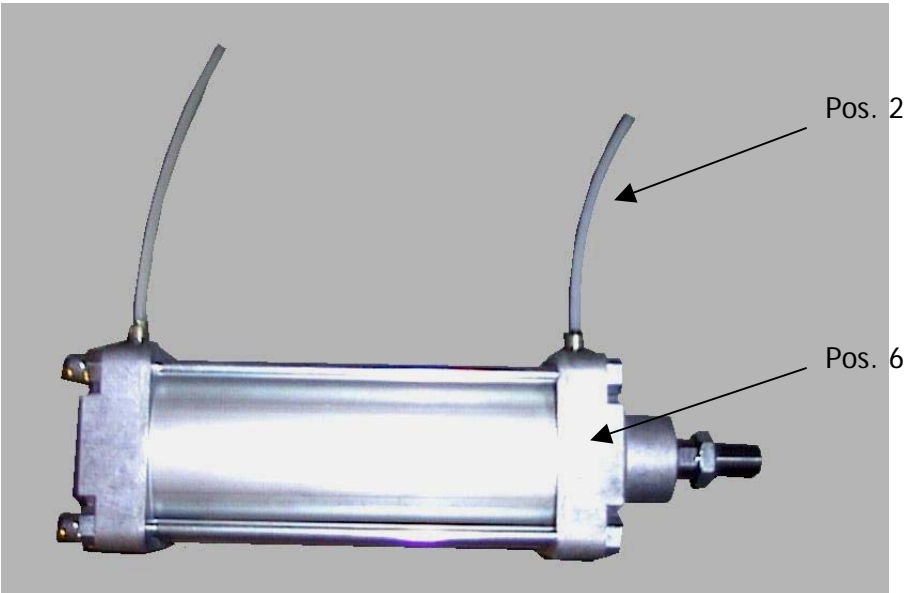
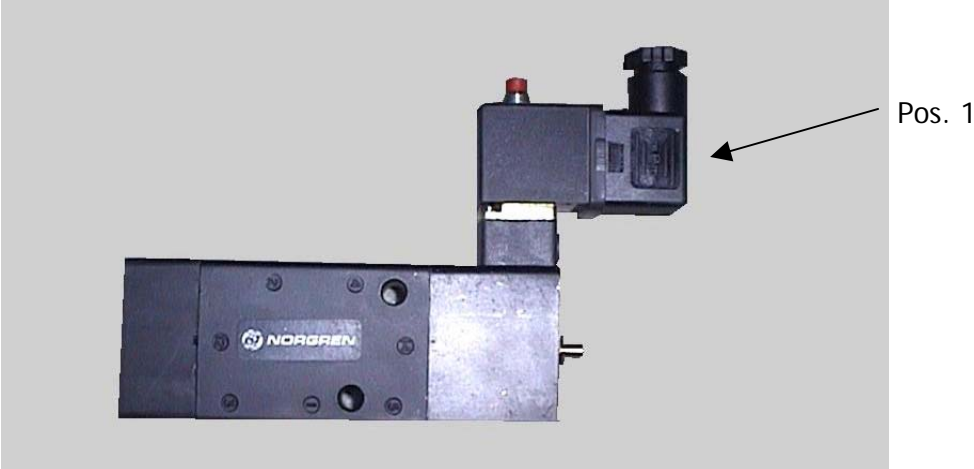


Fig. 11, 12 and 13



**PRE-BIN FOR HORIZONTAL MIXER TYPE 3**

1	591204	Rubber lobe for outlet
2	6802230	Single union
3	6407005	Bearing
4	591206	Cotter bolt set complete with bushes
5	6802232	Magnet valve
6	6802226	Cylinder
7	6802231	T-piece Ø 6
8	6802161	Throttle valve
9	6802227	Fork QM / 8025 / 24
10	6802195	Air tube 6x4
	591207	Rubber packing for pre-bin and mixer
11	759000055	End stop for hatch (old No. 2385084)

Spare parts sketches for pre-bin

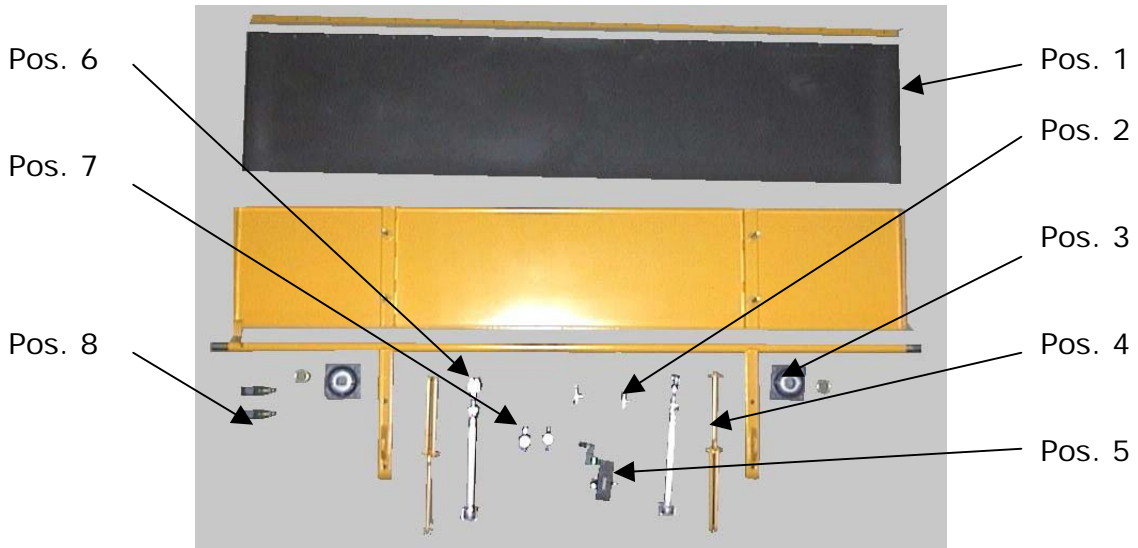


Fig. 9. Spare parts, complete, for prebin

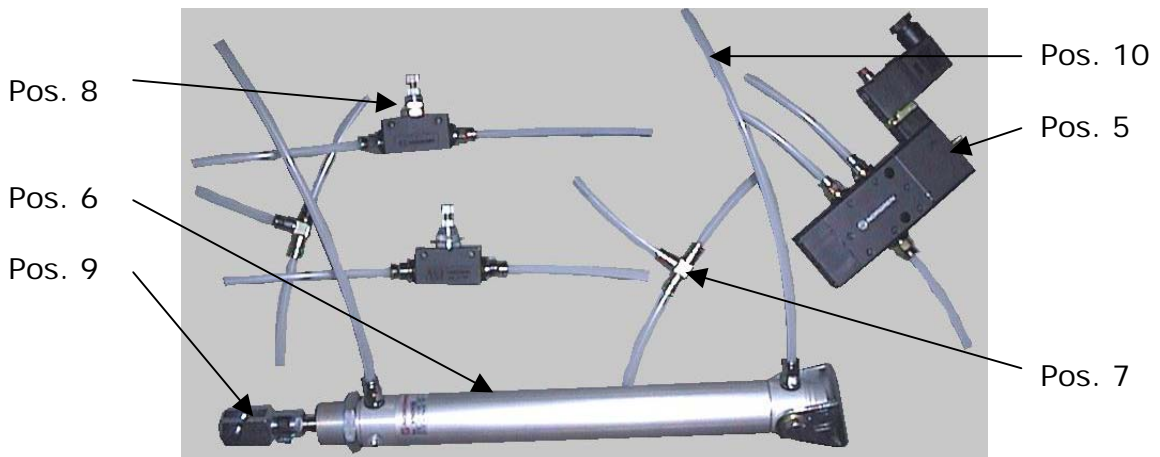


Fig. 10. Spare parts for air unit of hatch arrangement

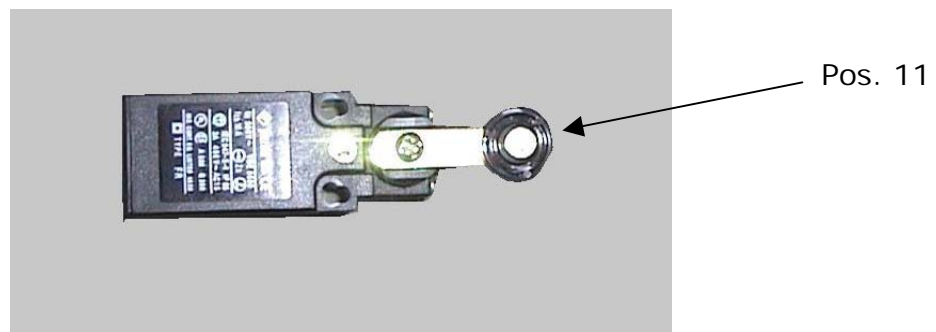
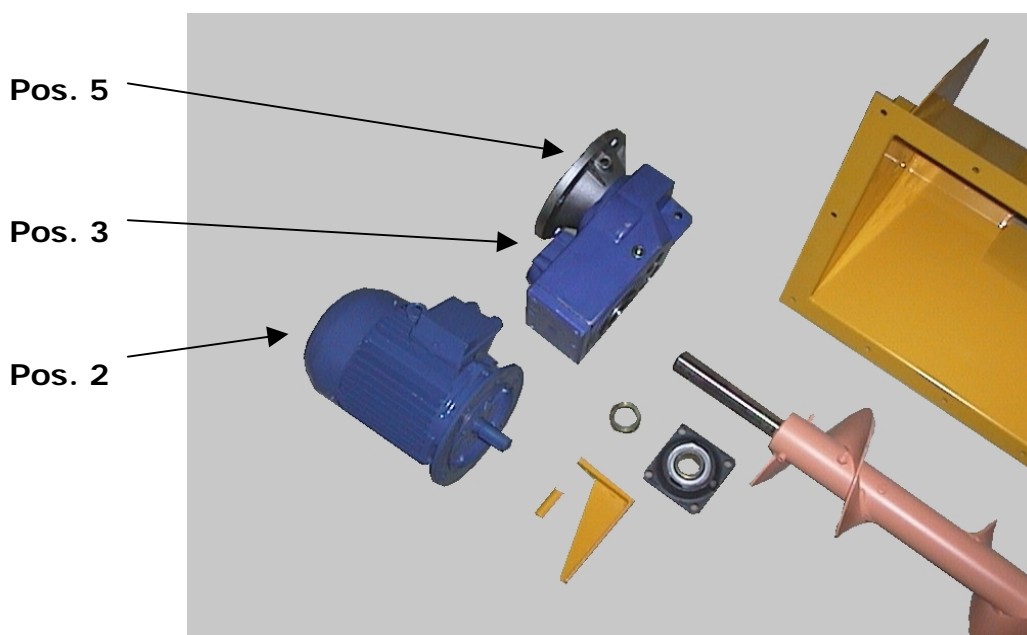
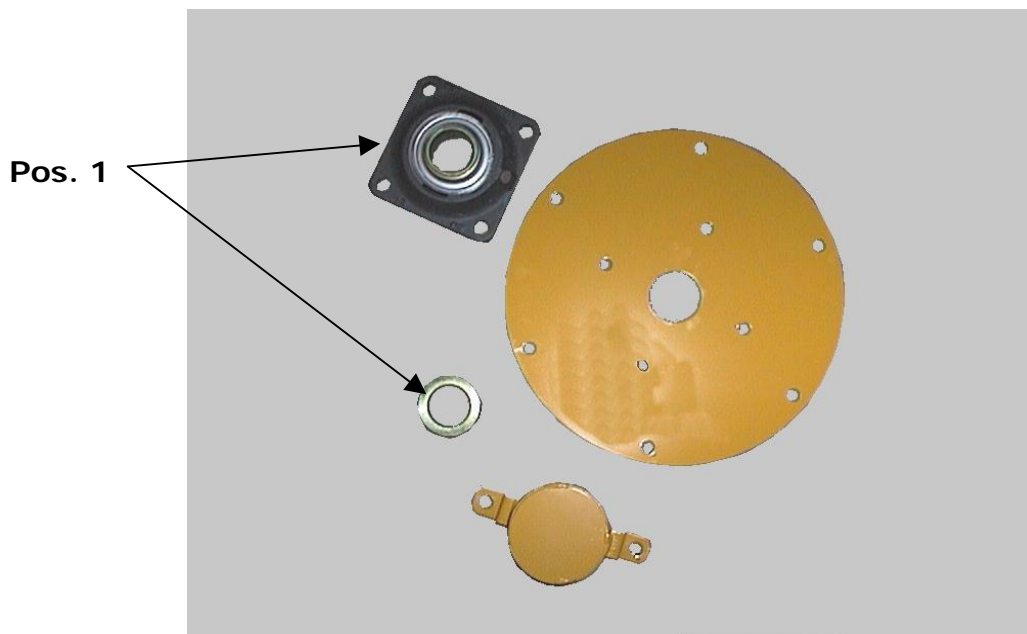


Fig. 11. End stop

## POST-BIN FOR HORIZONTAL MIXER TYPE 3

1	6407005	Bearing
2	2320093	Motor
3	6801007	Gear
4	591026	Auger
5	143008	Parallel key for gear

### Spare parts sketches

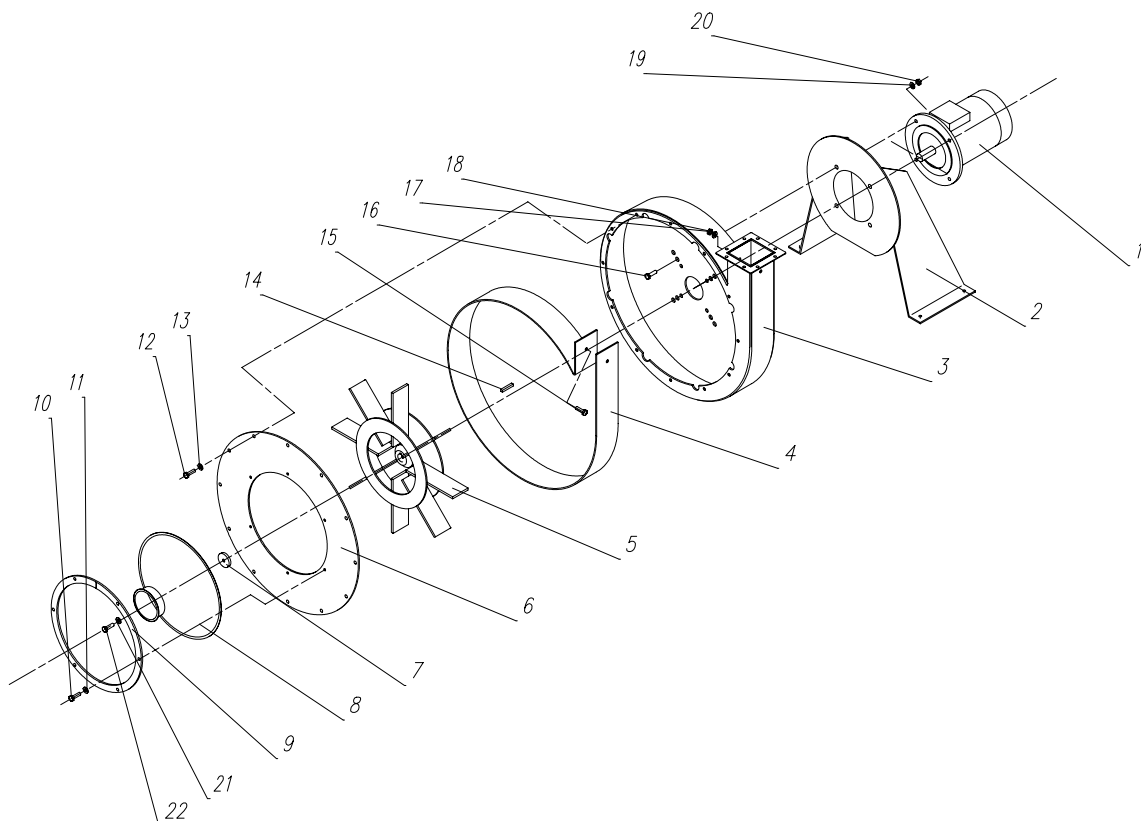




**BOOSTER FAN DME**

1	2340063	Motor 2.2 kW
	2340065	Motor 4.0 kW
	2340093	Motor 5.5 kW
	2340090	Motor 7.5 kW
3	201111	Fan housing
4	214002	Reinforcement liner
5	201112	Fan for 2.2 kW
	201113	Fan for 4 kW
	201114	Fan for 5.5–7.5 kW
	216114	Tension disk
	6000458	Set screw M10x35
	6001172	Spring washer 10 mm
6	206295	Cover
8	200100	Ø 100 mm conical connection
	200101	Ø 120 mm conical connection
	200102	Ø 150 mm conical connection
	206295	Cover for above conical connection (used only when replacing old type suction with new type conical)

**Spare parts drawing**



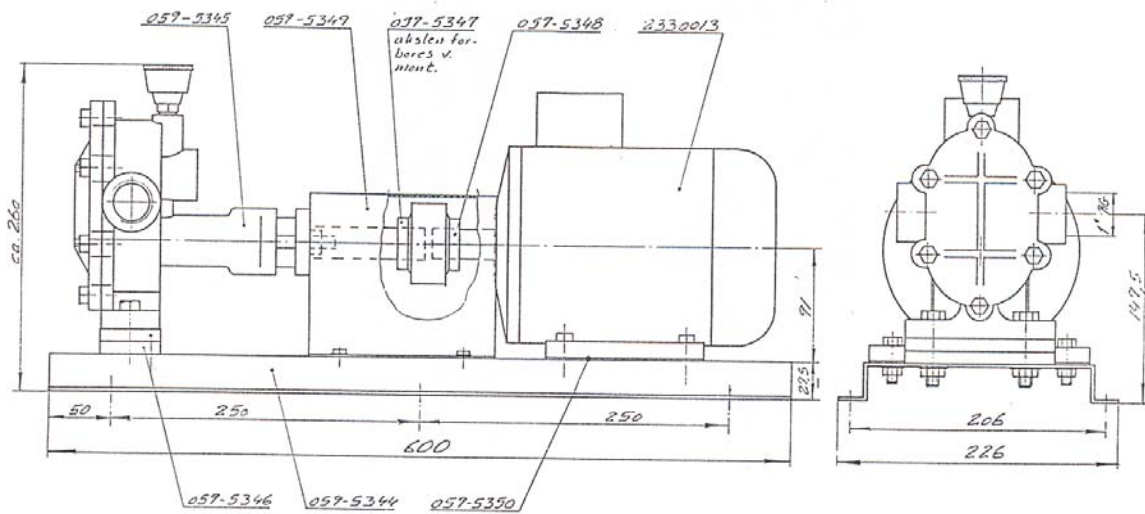
## BOOSTER FAN, OLD TYPE (SQUARE)

201005	Fan for 2.2 kW
201000	Fan for 4 kW
201009	Fan for 5.5-7.5 kW
201026	Fan for 11-15 kW
203011	Reinforcement liner
221032	Reinforcement liner SUPER, upper part
221033	Reinforcement liner SUPER, lower part
210019	Inlet 80 mm
220024	Inlet 100 mm
250015	Inlet 120 mm
200010	Inlet 150 mm
210015	Outlet 80 mm
210044	Outlet 100 mm
200007	Outlet 120 mm
200009	Outlet 150 mm

## MOLASSES PUMP TYPE 590046

595345	Molasses pump
2330013	Motor
6801052	Coupling

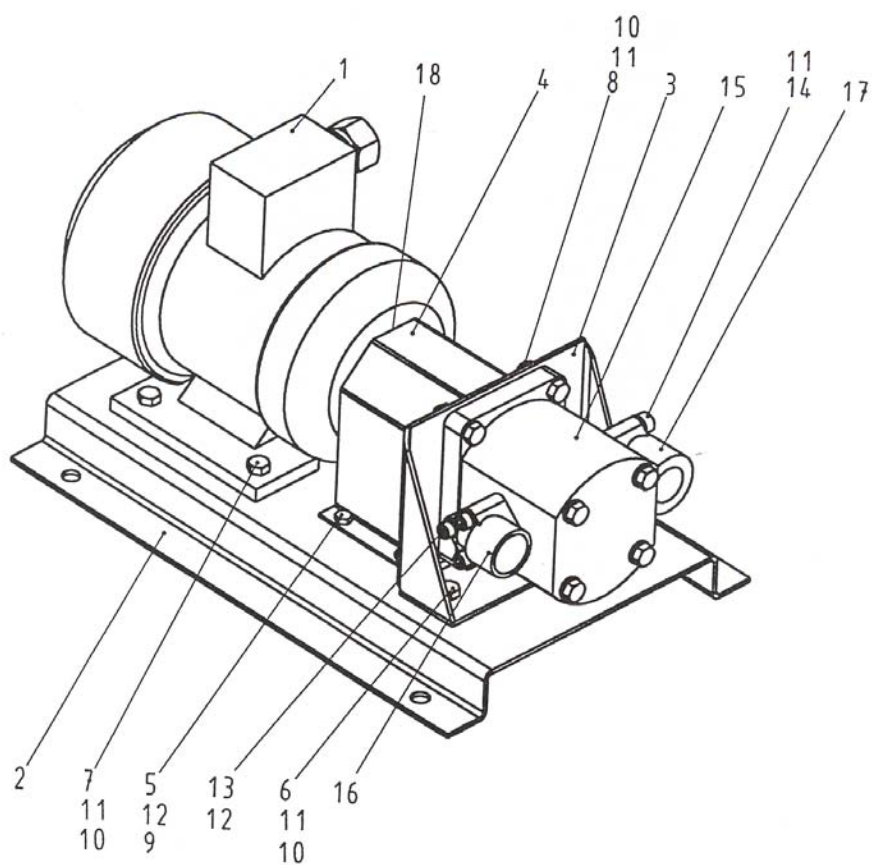
### Spare parts drawing



### FAT PUMP TYPE 590081

1	2320004	Electric motor
15	6802217	Oil pump
18	6802222	Coupling OMT
19	6802220	Counter valve 3/4"

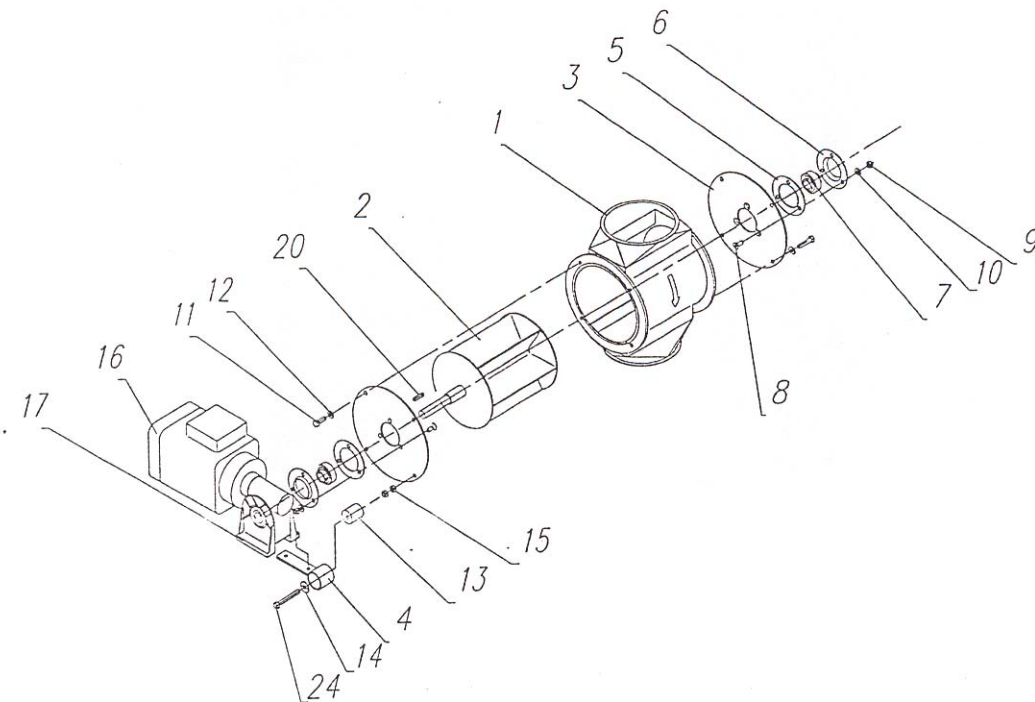
#### Spare parts drawing



**SLUICE VALVE Ø 150 MM**

2	1801049	Sluice wheel
5	1805230	Distance piece (2)
6	6407090	Bearing housing (4)
7	6407045	Bearing (2)
16	2391037	Motor
17	2391038	Gear

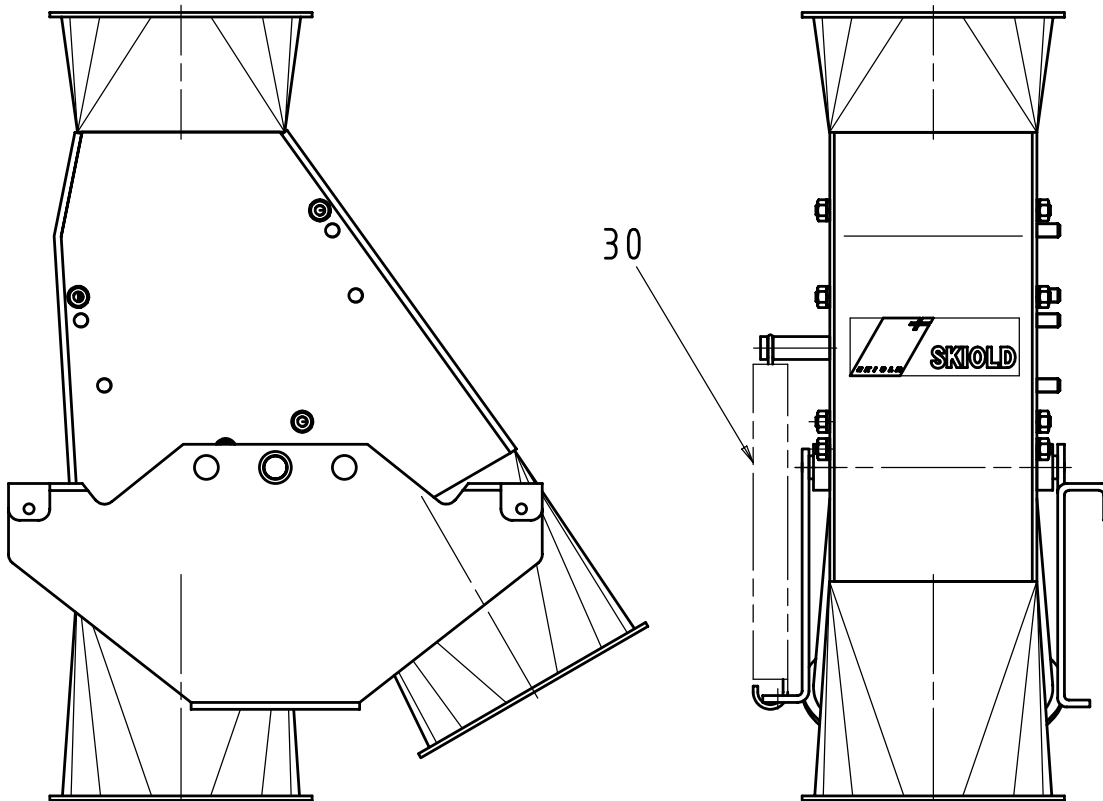
**Spare parts drawing**



**TWO-WAY VALVE**

30	1813010	Spring
	1810103	Two-way valve 100 mm without motor, side
	1810101	Two-way valve 120 mm without motor, side
	1810102	Two-way valve 80 mm without motor, side
	1810019	Two-way valve 150 mm without motor, side
	1810018	Two-way valve 150 mm without motor, breech

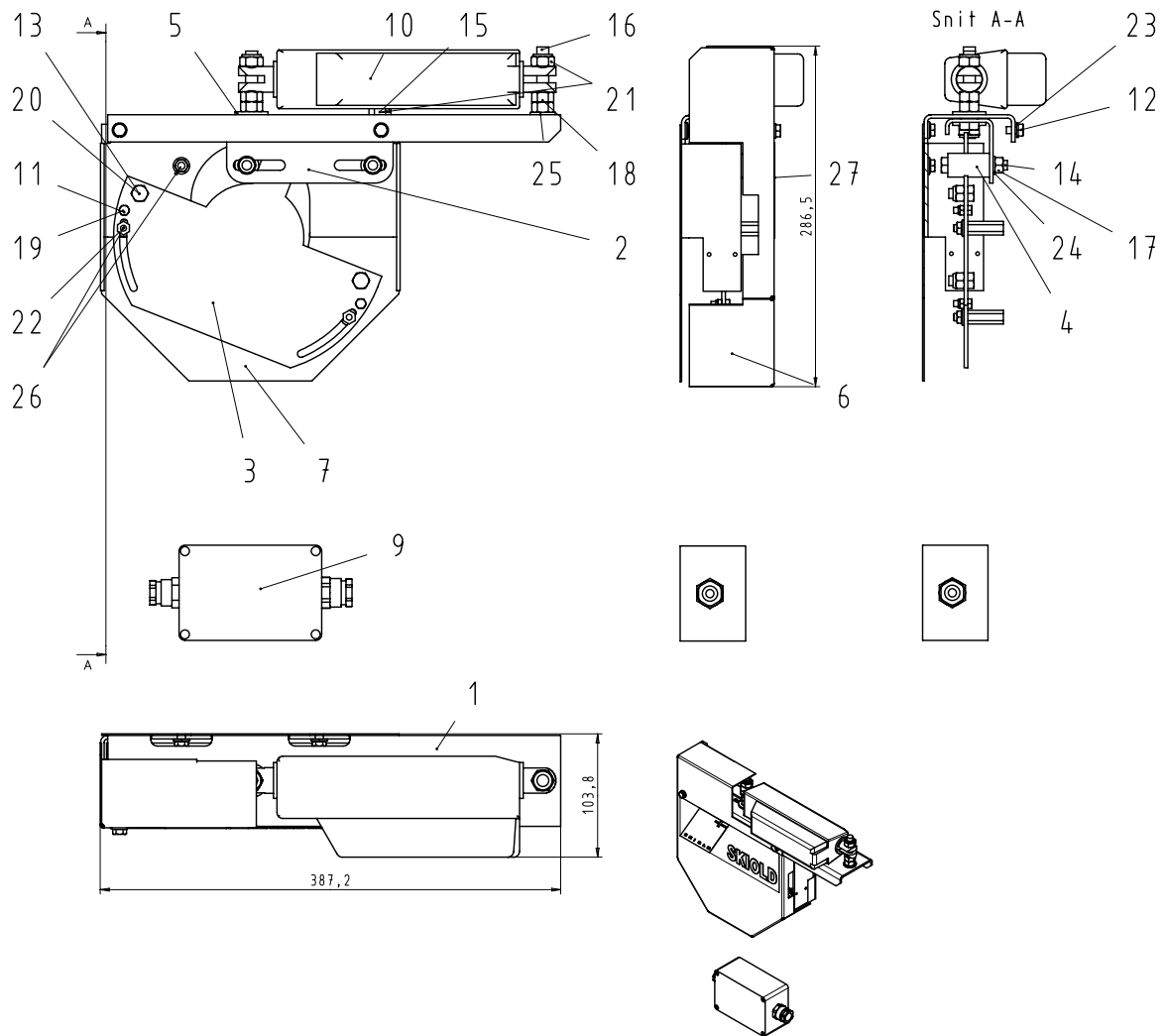
**Spare parts drawing**



**TWO-WAY VALVE – Throttle motor**

1,2,3	1815271	Bracket, slide, and arm for motor
4	1815272	Bush (2)
5	1815273	Distance disc (2)
6,7	1815274	Guard and under guard
9	2392057	Controller Linak
10	196070093	Spindle motor Linak (old No. 2382058/2392059)
	1810132	Motor set complete

**Below spare parts drawing shows throttle motor without guard**

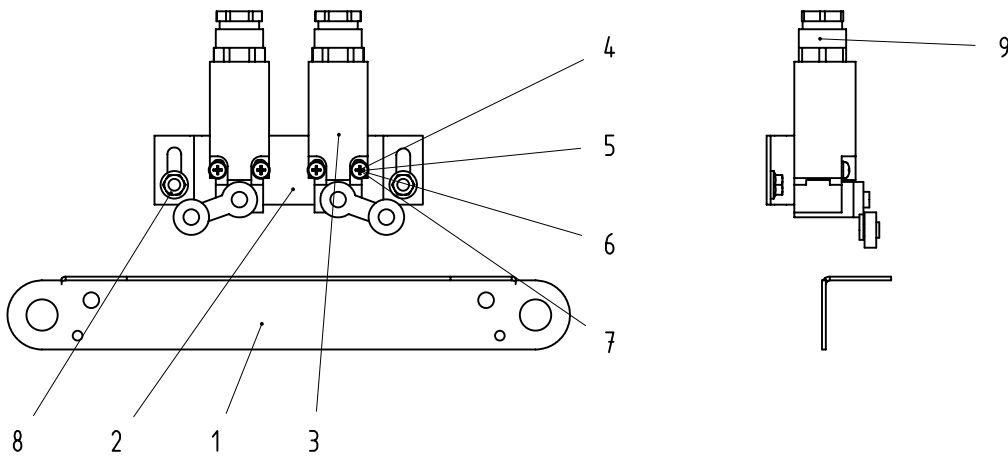


## TWO-WAY VALVE –Switches

3 759000055 End stop (2) (old No. 2385084)

The below spare parts drawing shows the arrangement for manually operated two-way valves

(For two-way valves with Linak motor, pos. 1 and 2 are NOT used).





## FLEX AUGERS, OLD MODEL WITH ORANGE TUBES

### 75 mm flex auger with 1.1 kW gearmotor (400 rpm):

1	6000922	Nut
3	115029	Clamping plate
4	6001172	Spring washer (2)
5	6002005	Tension disc (2)
6	6000457	Set screw (2)
8	1116024	Parallel key
9	2392064	Gear
10	865090	Stop ring
11	6004123	Allen screw M6x20 MC
12	6004105	Allen screw M6x10
13	6301058	Locking ring
14	6004123	Allen screw M6x20 MC
15	861022	Safety cover
16	2340131	Motor 1.1 kW B14 2800 rpm

### 90 mm flex auger with 1.1 kW gearmotor (400 rpm):

1	6000922	Nut
3	865132	Clamping plate
4	6001172	Spring washer (2)
6	6000456	Set screw (2)
8	1116024	Parallel key
9	2392064	Gear
10	865090	Stop ring
11	6004123	Allen screw M6x20 MC
12	6004105	Allen screw M6x10
13	6301058	Locking ring
14	6004123	Allen screw M6x20 MC
15	861022	Safety cover
16	2340131	Motor 1.1 kW B14 2800 rpm

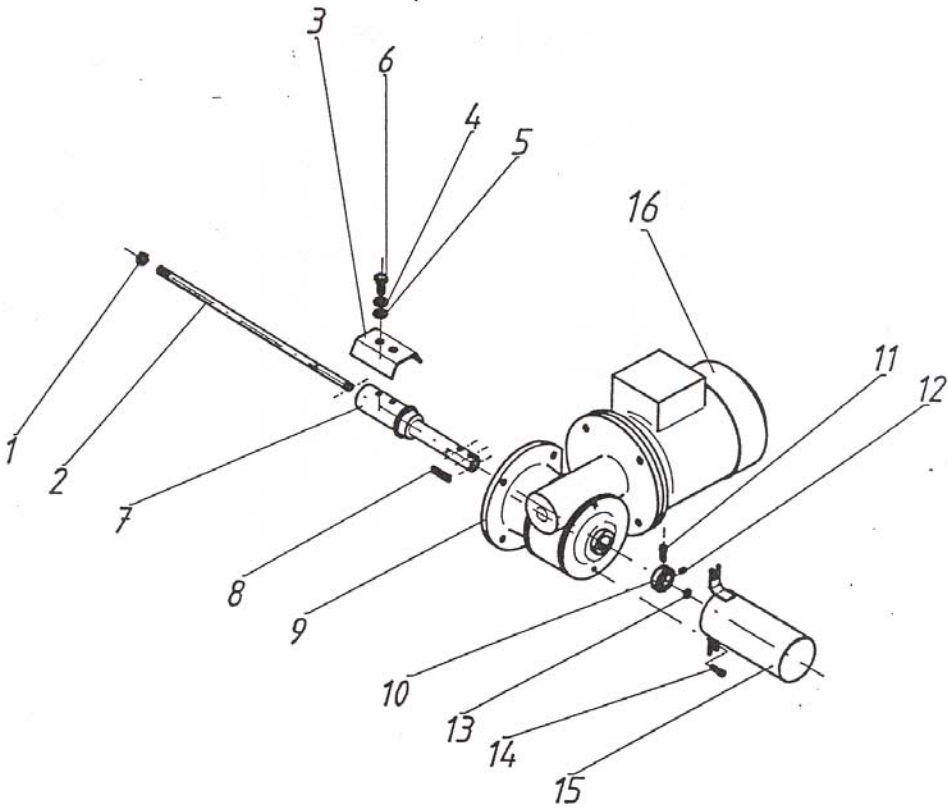
**90 mm flex auger with 1.5 kW gear motor (400 rpm):**

1	6000922	Nut
2	865133	Regulation rod
3	865132	Clamping plate
4	6001172	Spring washer (2)
6	6000457	Set screw (2)
7	865128	Shaft
8	1116024	Parallel key
10	865090	Stop ring
11	6004123	Allen screw M6x20 MC
12	6004105	Allen screw M6x10
13	6301058	Locking ring
14	6004123	Allen screw M6x20 MC
15	861022	Safety cover
16	2340132	Motor 1.5 kW B14 2800 rpm

**90 mm flex auger with 2.2 kW gear motor (400 rpm):**

1	6000922	Nut
2	865133	Regulation rod
3	865132	Clamping plate
4	6001172	Spring washer (2)
6	6000457	Set screw (2)
7	865128	Shaft
8	1116024	Parallel key
10	865090	Stop ring
11	6004123	Allen screw M6x20 MC
12	6004105	Allen screw M6x10
13	6301058	Locking ring
14	6004123	Allen screw M6x20 MC
15	861022	Safety cover
16	2340133	Motor 2.2 kW B14 2800 rpm

Spare parts drawing flex auger



**75 mm flex auger with V-belt drive 1.1 kW, spare parts drawing No. 869001:**

1	6000922	Nut
2	115029	Clamping plate
3	6001172	Spring washer (2)
4	6000456	Set screw (2)
5	865057	Shaft pin
6	6401028	Ball bearing
14	865061	Distance ring
15	6401028	Ball bearing
20	1116024	Parallel key
21	865058	Regulation rod
22	6004123	Allen screw M6x20 MC
23	865090	Stop ring
26	861022	Safety cover
28	2320062	Motor 1.1 kW B3 1400 rpm
31	2520103	V-belt (2)
32	6301058	Locking ring

**75 mm flex auger with V-belt drive 1.5 kW, spare parts drawing No. 869001:**

1	6000922	Nut
2	115029	Clamping plate
3	6001172	Spring washer (2)
4	6000456	Set screw (2)
5	865142	Shaft pin
6	6401028	Ball bearing
14	865061	Distance ring
15	6401028	Ball bearing
17	865126	Belt pulley
20	1116024	Parallel key
21	865058	Regulation rod
22	6004123	Allen screw M6x20 MC
23	865090	Stop ring
26	861022	Safety cover
28	2320063	Motor 1.5 kW B3 1400 rpm
31	2520103	V-belt (2)
32	6301058	Locking ring

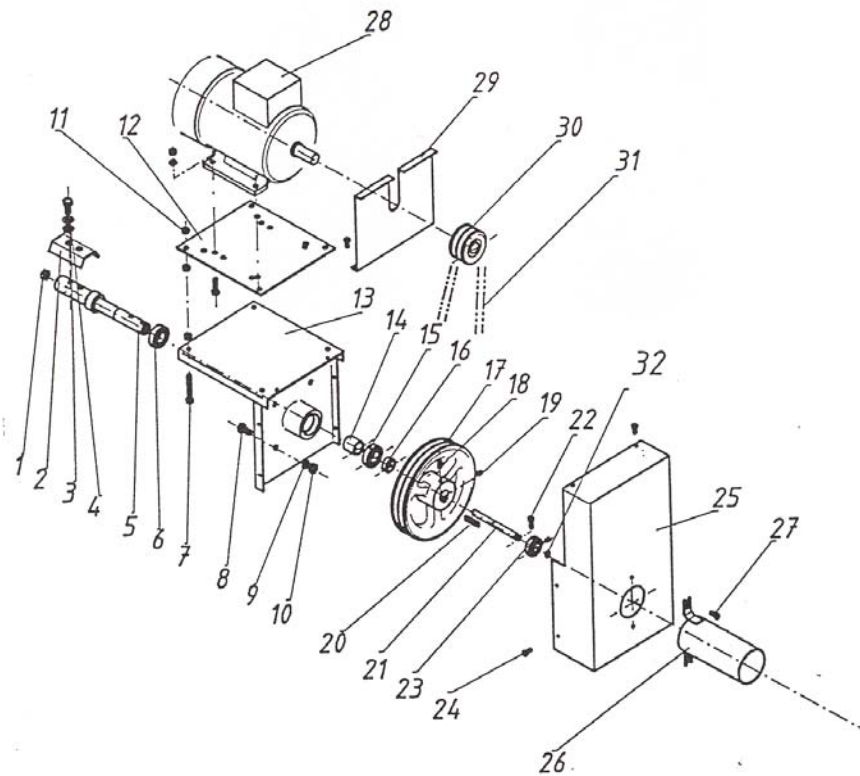
**90 mm flex auger with V-belt drive 1.5 kW, spare parts drawing No. 869001:**

1	6000922	Nut
2	865132	Clamping plate
3	6001172	Spring washer (2)
4	6000457	Set screw (2)
5	865128	Shaft pin
6	6401028	Ball bearing
14	865061	Distance ring
15	6401028	Ball bearing
20	1116024	Parallel key
21	865058	Regulation rod
22	6004123	Allen screw M6x20 MC
23	865090	Stop ring
26	861022	Safety cover
28	2320063	Motor 1.5 kW B3 1400 rpm.
31	2520103	V-belt (2)
32	6301058	Locking ring

**90 mm flex auger with V-belt drive 2.2 kW, spare parts drawing No. 869001:**

1	6000922	Nut
2	865132	Clamping plate
3	6001172	Spring washer (2)
4	6000457	Set screw (2)
5	865128	Shaft pin
6	6401028	Ball bearing
14	865061	Distance ring
15	6401028	Ball bearing
17	865126	Belt pulley
20	1116024	Parallel key
21	865058	Regulation rod
22	6004123	Allen screw M6x20 MC
23	865090	Stop ring
26	861022	Safety cover
28	2320060	Motor 2.2 kW B3 1400 rpm.
31	2520103	V-belt (2)
32	6301058	Locking ring

Spare parts drawing No. 869001 – Flex auger



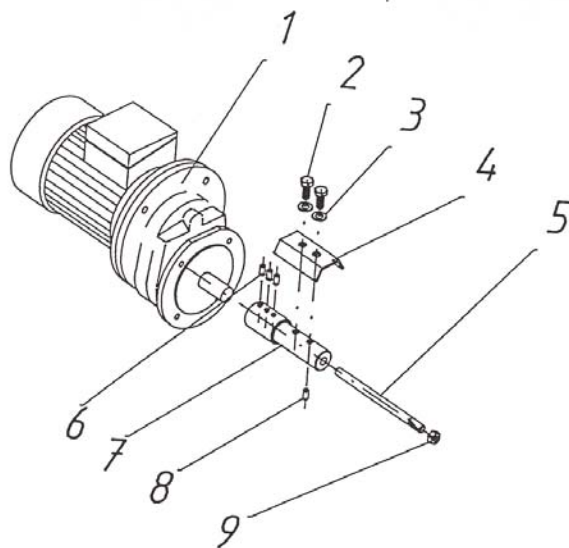
**Flex augers – Gear motor 550 rpm**

2	6000456	Set screw (2)
3	6001172	Spring washer (2)
4	115029	Clamping plate
6	6004125	Allen screw M10x10 (3)
7	865063	Shaft pin
8	6004125	Allen screw M10x10
9	6000922	Nut

**Flex augers – Gear motor 84 rpm**

1	861015	Gearmotor
2	6000456	Set screw (2)
3	6001172	Spring washer (2)
4	115029	Clamping plate
6	6004125	Allen screw M10x10 (3)
7	865063	Shaft pin
8	6004125	Allen screw M10x10
9	6000922	Nut

**Spare parts drawing**



**SPARE PARTS LIST****POS. ORDER NO. DESCRIPTION****75 mm flex auger - Outlet:**

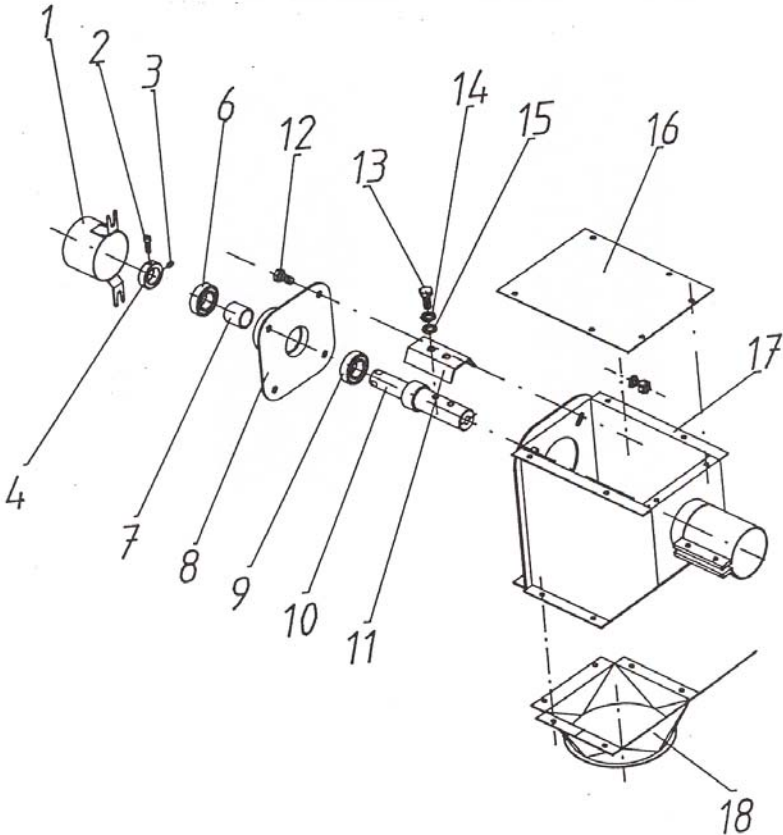
1	861034	Safety cover
2	6004123	Allen screw M6x20 MC
3	6004105	Allen screw M6x10 MC
4	865090	Stop ring
6	6401028	Ball bearing
7	865061	Distance ring
8	861033	End flange with bearing housing
9	6401028	Ball bearing
10	865089	Shaft pin
11	115029	Clamping plate
13	6000456	Set screw (2)
14	6001172	Spring washer (2)

**90 mm flex auger - Outlet:**

1	861034	Safety cover
2	6004123	Allen screw M6x20 MC
3	6004105	Allen screw M6x10 MC
4	865090	Stop ring
6	6401028	Ball bearing
7	865061	Distance ring
8	861033	End flange with bearing housing
9	6401028	Ball bearing
11	865132	Clamping plate (2)
13	6000457	Set screw (2)
14	6001172	Spring washer (2)



Spare parts drawing – Flex auger



**SPARE PARTS LIST****POS.      ORDER NO.      DESCRIPTION****75 mm flex-auger – Auger flights and pipes:**

1920139	Flex auger flights, S = 33 mm (order for 1 m)
1920140	Flex auger flights, S = 50 mm (order for 1 m)
860051	Socket joint
1920143	Pipe, L = 3 m
1920138	Bend 40°

**90 mm flex-auger – Auger flights and pipes:**

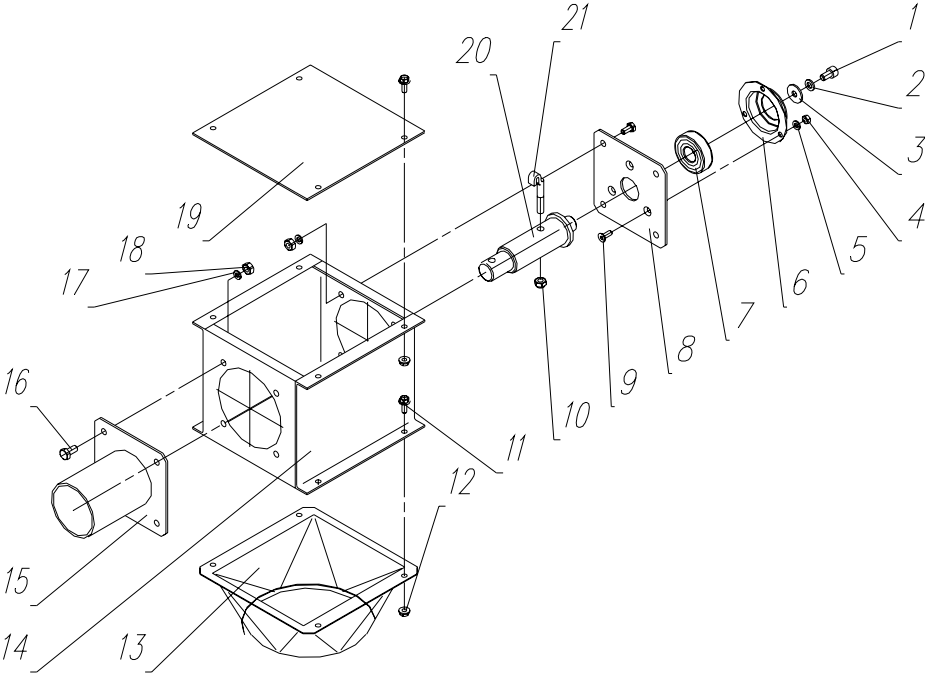
1920234	Flex auger flights, S = 60 mm (order for 1 m)
860070	Socket joint
1920231	Pipe, L = 3 m
1920233	Bend 45°

## FLEX AUGER, CURRENT MODEL WITH BLUE PIPES

### 75/90 mm flex auger:

1	6004191	Allen screw M8x20
2	6001180	Star lock washer
3	6001147	Tension disc
4	6000920	Nut
5	6001171	Spring washer
6	6407080	Bearing housing
7	6402075	Bearing 6304 2RS1
8	865250	Bearing plate
9	6004144	Allen screw M6x15
10	6001014	Lock nut
11	6003635	Flange bolt
12	6003636	Flange nut
13	865261	Connection
14	865256	Side for inlet
15	861093	Socket 75 mm
	861094	Socket 90 mm
16	6000446	Set screw
17	6001171	Spring washer
18	6000920	Nut
19	865237	Cover
20	865244	Pin 75 mm
	865245	Pin 90 mm
21	865253	Hook 75 mm
	865254	Hook 90 mm

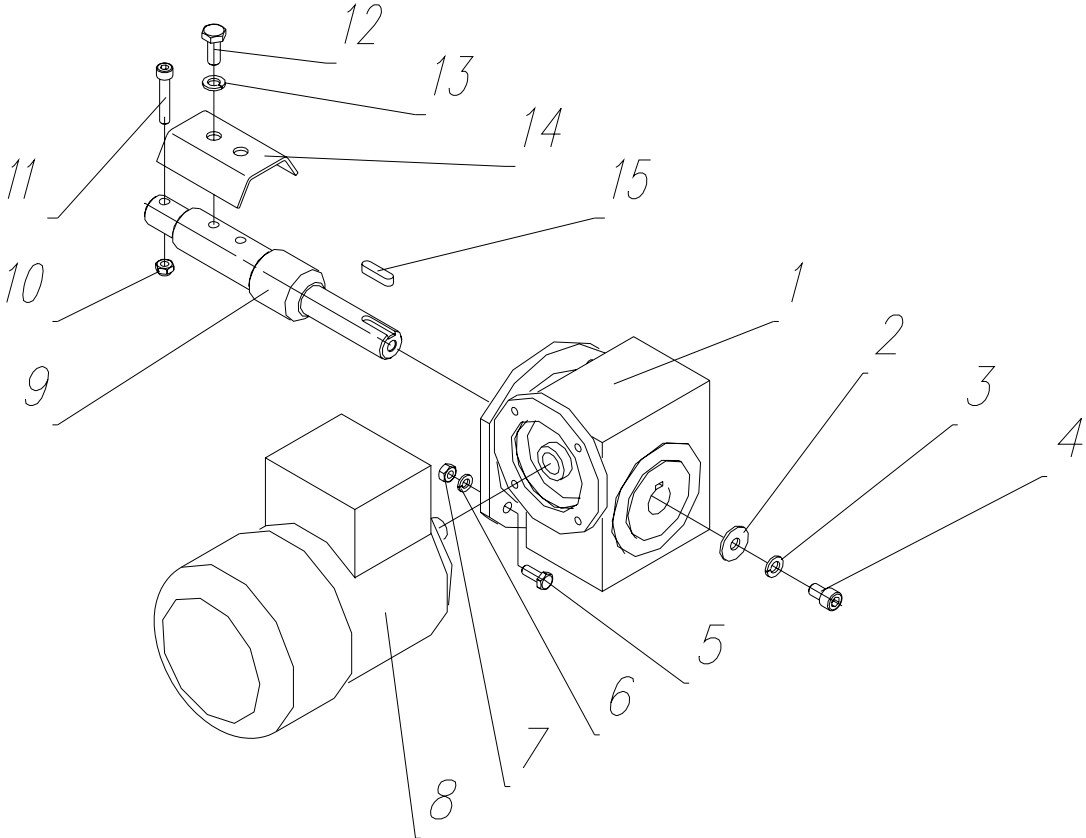
Spare parts drawing



**Flex auger, current model – Gear motor with drive shaft:**

1	2392074	Gear
2	6002012	Tension disc
3	6001172	Spring washer
4	6013026	Allen screw M10x16
5	6000448	Set screw
6	6001171	Spring washer
7	6000920	Nut
8	2340140	Motor 0.75 kW
	2340131	Motor 1.1 kW
9	865246	Shaft pin 75 mm
	865247	Shaft pin 90 mm
10	6001014	Lock nut
11	6004194	Allen screw M8x45 for 75mm
	6004193	Allen screw M8x55 for 90 mm
12	6000456	Set screw
13	6001172	Spring washer
14	115029	Clamping plate for 75 mm
	865132	Clamping plate for 90 mm
15	1116046	Parallel key

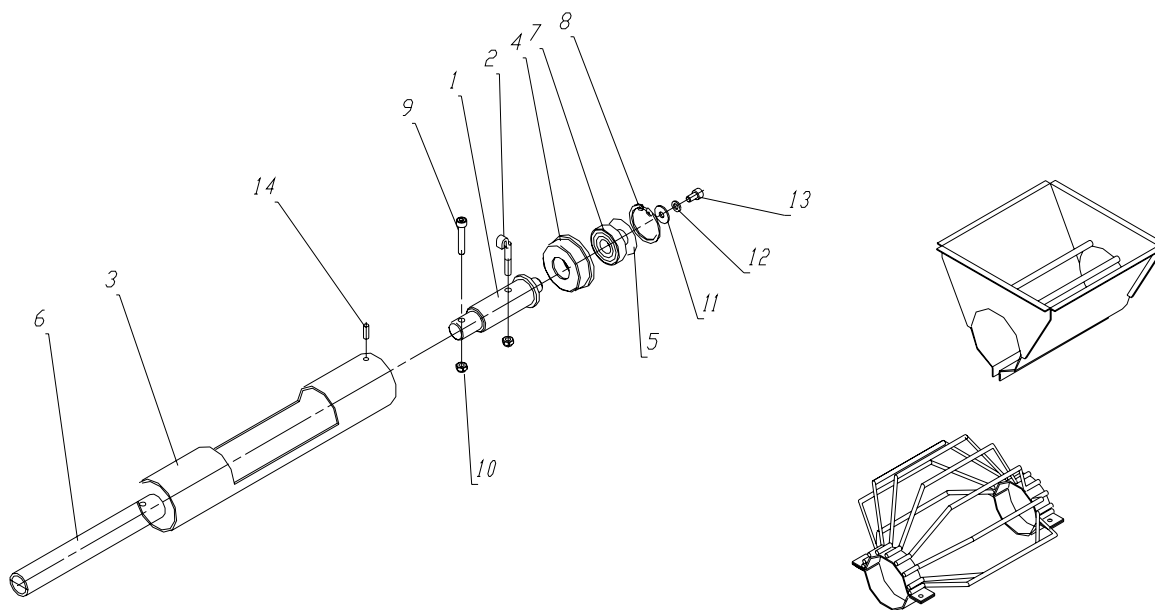
Spare parts drawing



**Flex auger, current model – Pipe for inlet:**

1	865244	Pin for 75 mm
	865245	Pin for 90 mm
2	865253	Hook for 75 mm
	865254	Hook for 90 mm
4	865289	Bearing cover for 75 mm
	865291	Bearing cover for 90 mm
6	865293	Pipe for 75 mm
	865294	Pipe for 90 mm
7	6402075	Ball bearing
8	6301068	Lock ring
10	6001014	Lock nut (2)
13	6004191	Allen screw M8x20
14	6004102	Allen screw M6x8

**Spare parts drawing**



**PIPE AUGER 102 MM (NEW MODEL)**

1941060	0.565 m auger
---------	---------------



**PIPE AUGER 102 MM (OLD MODEL)**

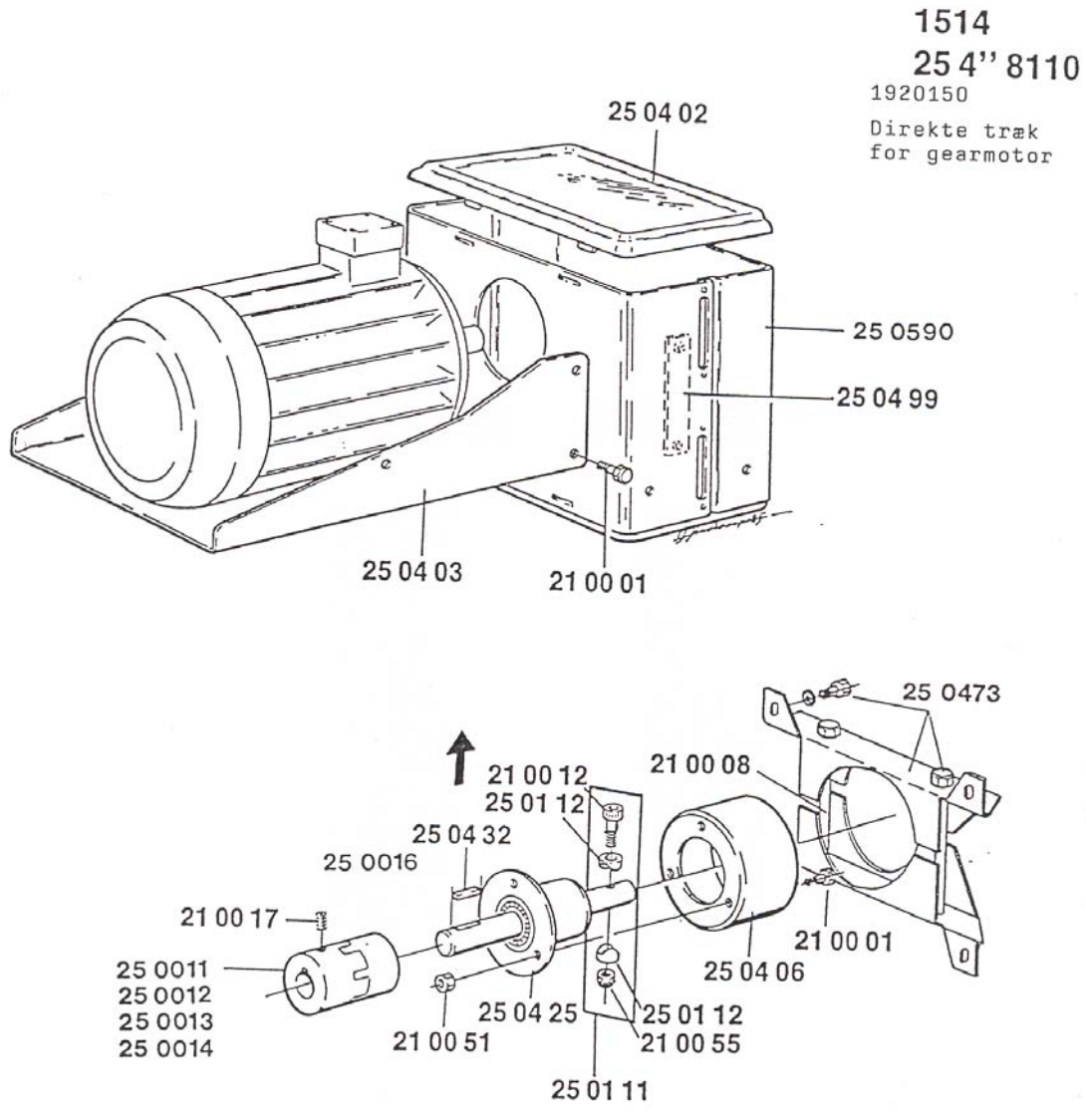
1920324	Belt pulley for belt drive 1:1.3 (A-2-100)
1920325	Belt pulley for belt drive 1:2.7 (A-2-200)
1805090	Key
6004194	Bolt
6001014	Nut
1921000	Cpl. double bearing ring with drive shaft (250425)
1921002	0.5 m auger, right-hand (250080)
1921003	1.0 m auger, right-hand (250082)
1921004	2.0 m auger, right-hand (250083)
1921005	3.0 m auger, right-hand (250084)
1921006	1.0 m auger with ejector, right-hand (250443)
1921007	3.0 m auger with ejector, right-hand (250445)
1921008	Ø18 mm shaft pin complete (250107)
1921009	Bevel wheel for angle drive (250130)
1921010	Feeding auger for angle drive 0-45° (250133)
1921011	Receiving auger for angle drive 0-45° (250134)
1921012	Chain wheel for angle drive 0-90° (250136)
1921013	Chain wheel for angle drive 0-90° (250137)
1921014	Rolling chain ½" for angle drive 0-90° (250059)
1921015	Feeding auger for angle drive 0-90° (250141)
1921016	Receiving auger for angle drive 0-90° (250142)
1920129	1.0 m auger with pin and bolt, left-hand (MICA)
1920131	2.0 m auger with pin and bolt, left-hand (MICA)
1920136	3.0 m auger with pin and bolt, left-hand (MICA)
2520003	V-belt A28 for belt drive 1:1.3 (250420)
1920274	Cover (250402)
1920275	Clamp, pair with bolts (250473)
1920276	Pipe for bearing mounting (250406)
2520035	V-belt A35 for belt drive 1:2.7 (250421)
2520031	V-belt A31 (250035)
1920278	0.5 m auger with pin and bolt, reduced flight (250086)
1920279	1.0 m auger with pin and bolt, reduced flight (250087)
1920280	2.0 m auger with pin and bolt, reduced flight (250091)
1920281	3.0 m auger with pin and bolt, reduced flight (250092)
1920282	Belt tightener complete (250470)
1920283	Bearing complete for angle drive (double) (250055)
1920390	Auger for single emptying auger 0.7 m (252210)
1920391	Auger for double emptying auger (252245)

## PIPE AUGER 152 MM (OLD MODEL)

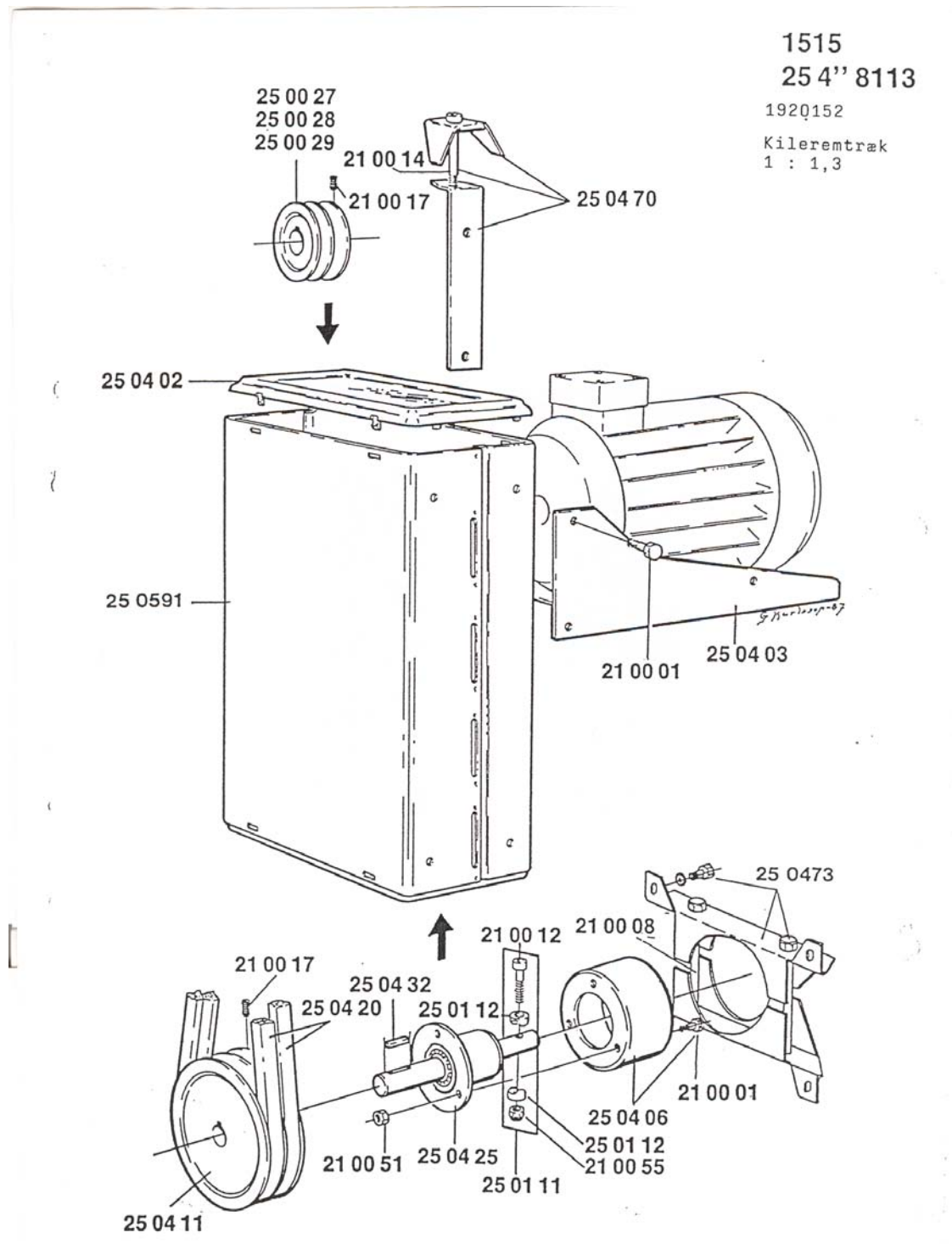
1920285	V-belt pulley A-3-100 Ø10 for motor (250611)
1920286	V-belt pulley A-3-100 Ø24 for motor (250612)
2520036	V-belt A36
1920287	Bearing complete (250625)
1920288	Drive shaft (251308)
1920289	1.0 m auger with pin and bolt, for inlet (250624)
1920290	1.0 m auger, reduced flight (250636)
1920291	1.0 m auger with pin and bolt, for outlet (250637)
1920292	3.0 m auger for outlet (250638)
1920293	Bolt bag for extension, with pin and bolt (250363)
1920186	End bearing

Spare parts drawing 1514 254" 8110 1920150, pipe auger

Direct drive for gear motor



Spare parts drawing 1515 254" 8113 1920152, pipe auger  
 V-belt drive 1:1.3

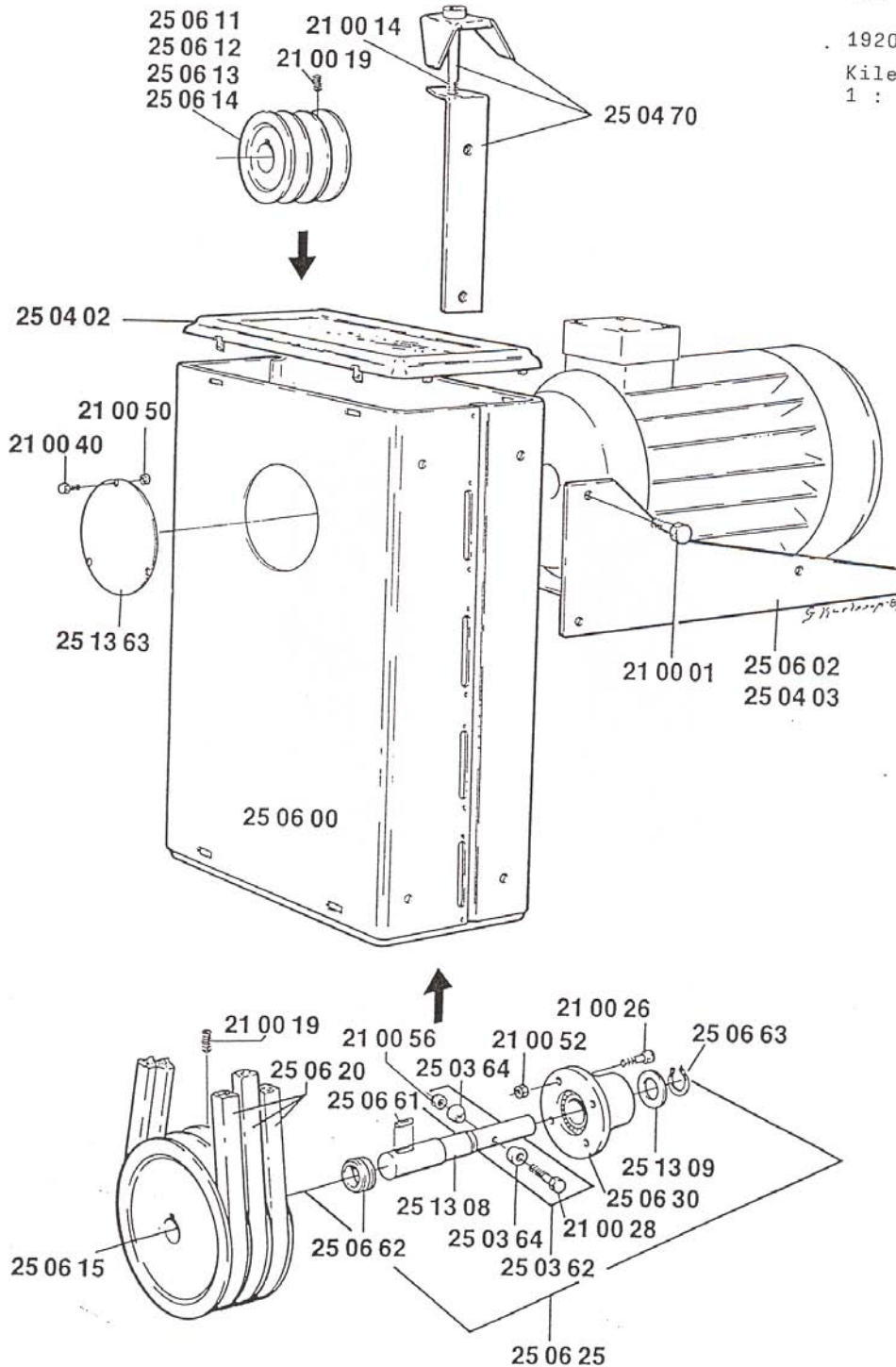


Spare parts drawing 1523 256" 8120 1920177, pipe auger

V-belt drive 1:2

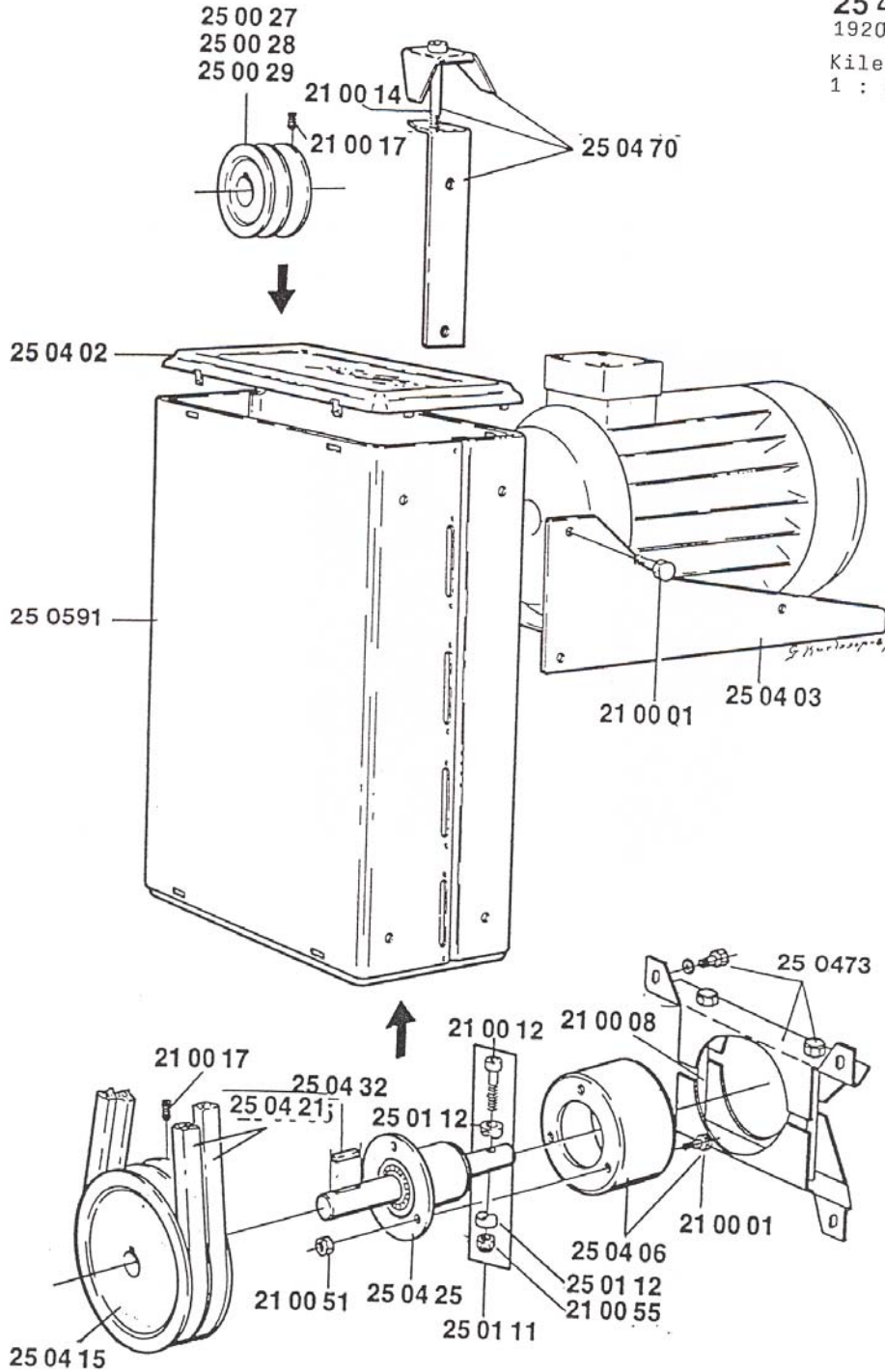
1523  
 256" 812

1920177  
 Kileremtræk  
 1 : 2



Spare parts drawing 1517 254" 8127 1920153, pipe auger  
 V-belt drive 1:2.7

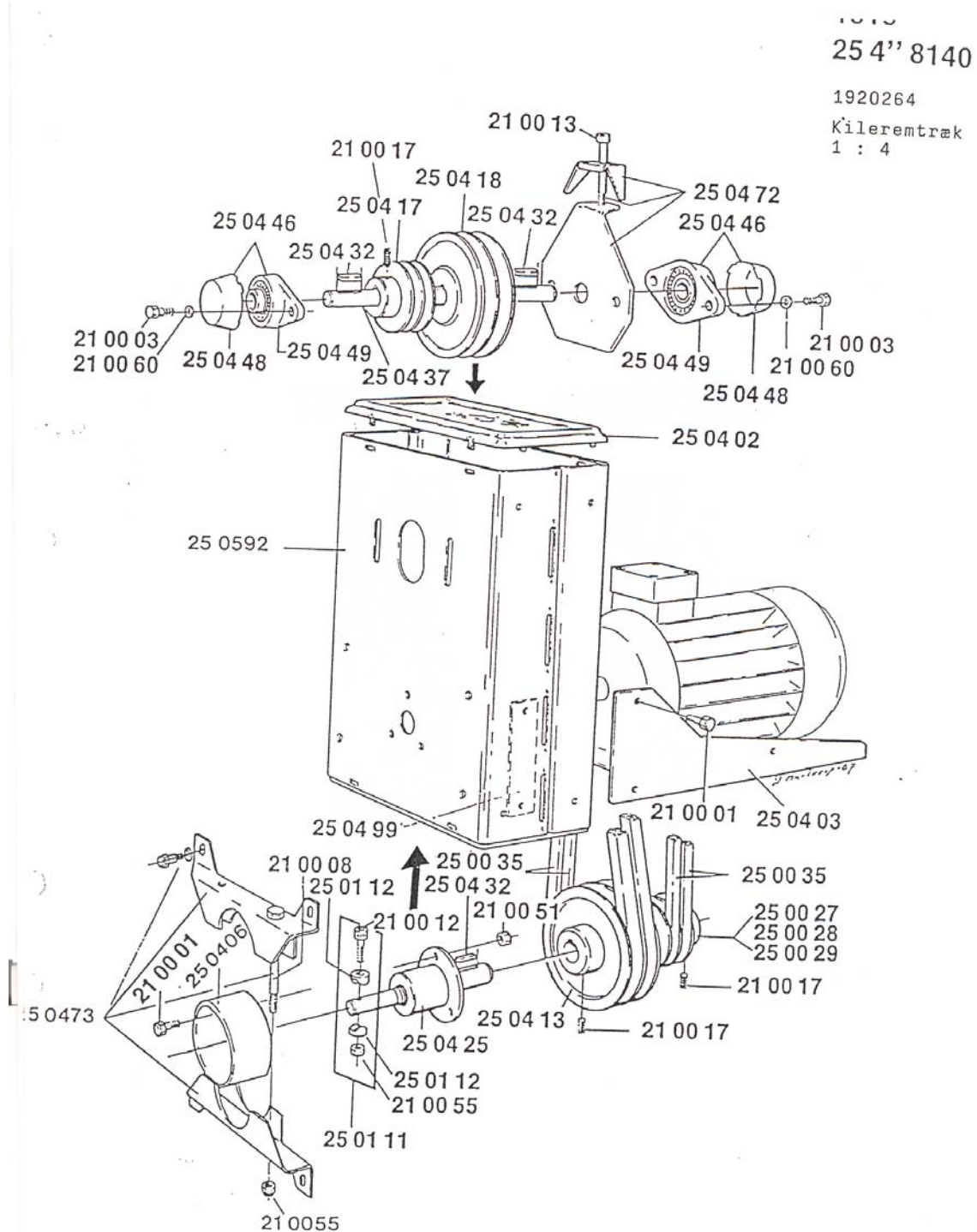
1517  
 254" 8127  
 1920153  
 Kilerentræk  
 1 : 2,7





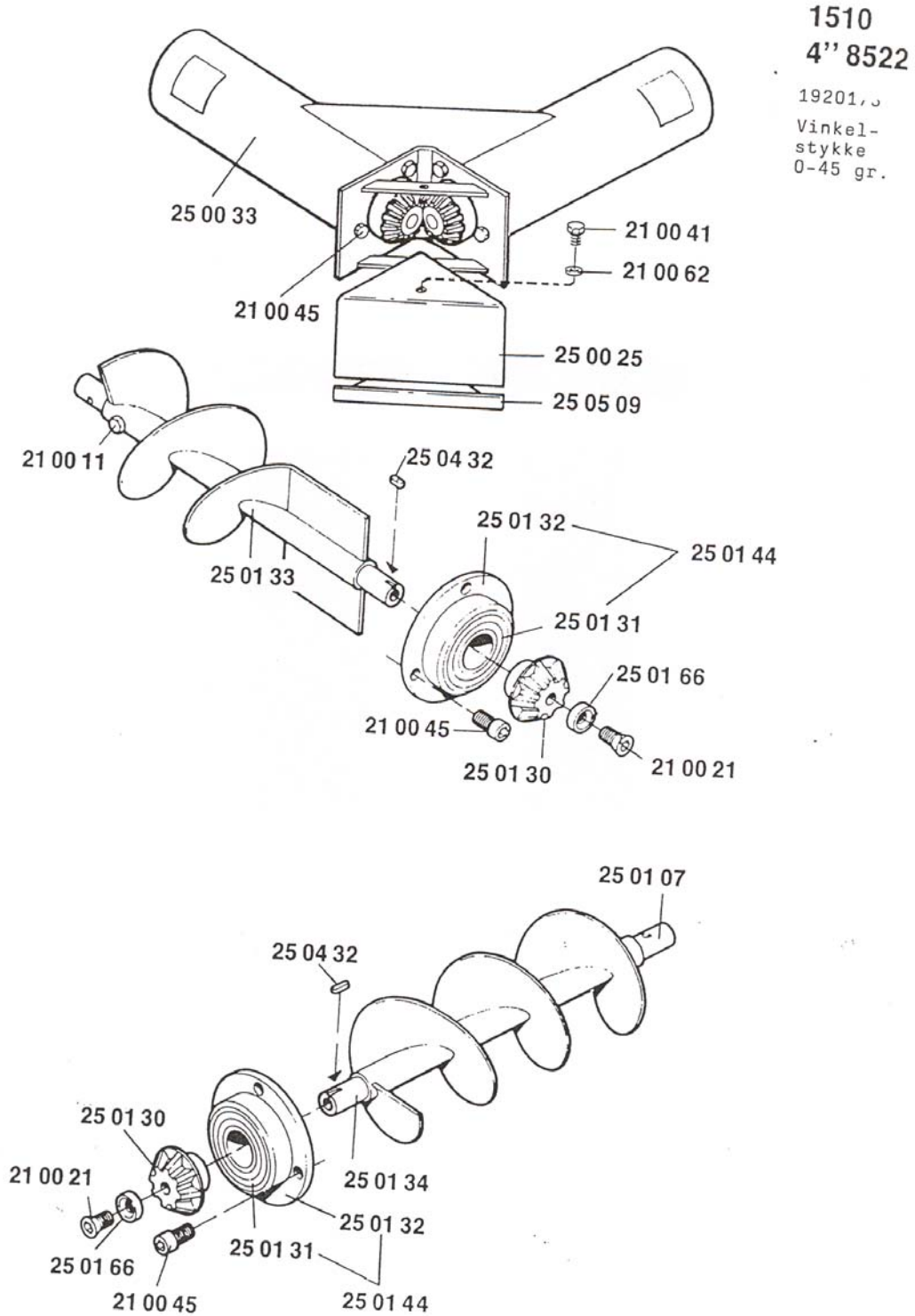
Spare parts drawing 1516 254" 8140 1920264, pipe auger

V-belt drive 1:4



Spare parts drawing 1510 4" 8522 1920173, pipe auger

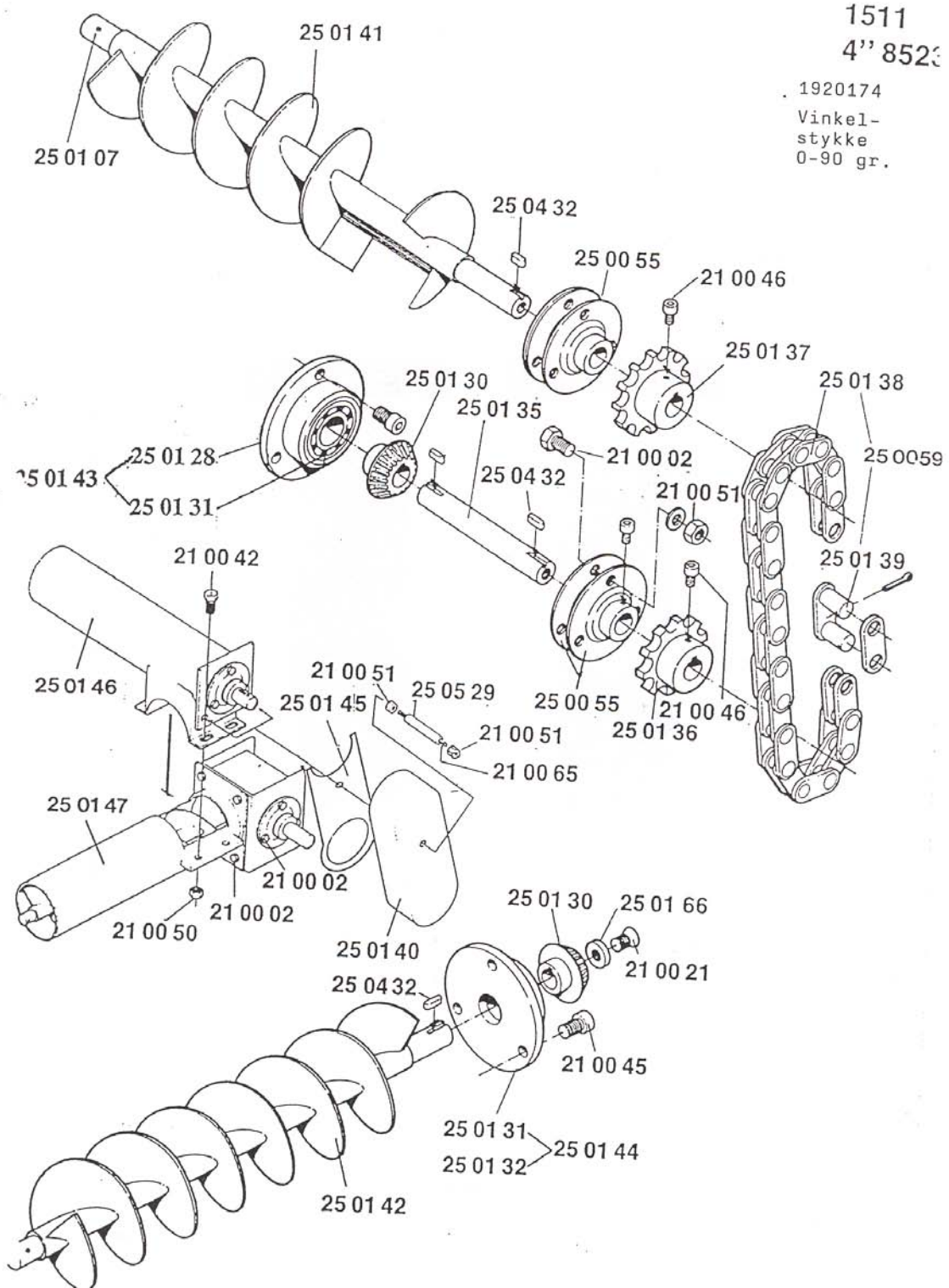
Angle piece 0-45°





Spare parts drawing 1511 4" 8523 1920174, pipe auger

Angle piece 0-90°



## TROUGH AUGERS (OLD MODEL)

### Type U10

1920294	Chain wheel intermediary shaft (271098)
1920295	Complete bearing ring (271033)
1920296	Driving shaft (271016)
1920297	Bearing complete (250446)
1920298	Intermediary shaft (271026)
1920245	Intermediary bearing (271046)
1920299	1.0 m auger (271128)
1920300	2.0 m auger (271129)
1920301	Auger for end outlet (271130)
1920302	Shaft for end plate (271027)

### Type U10 and U15

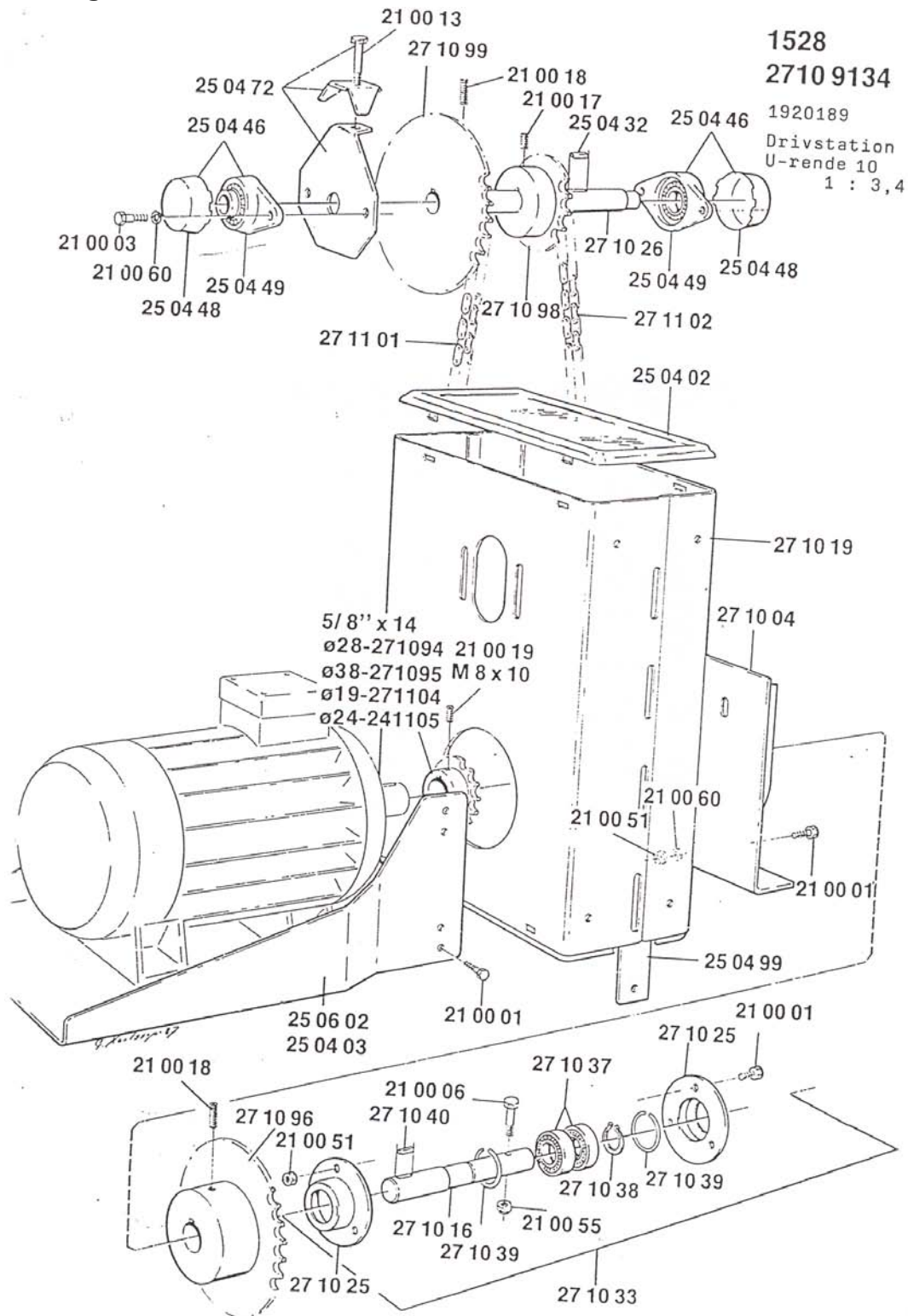
1920303	Chain wheel 5/8" x 34 Ø 20 for intermediary shaft (271099)
1920304	Chain wheel 5/8" x 14 Ø 38 for motor (271095)
1920305	Chain wheel 5/8" x 14 Ø 19 for motor (271104)
1920306	Chain wheel 5/8" x 34 Ø 28 for auger (271096)
1920307	Chain 5/8" x 51 (271101)
1920308	Chain 5/8" x 57 (271100)

### Type U15

1920309	Complete bearing/driving shaft (271034)
1920310	Driving shaft (271017)
1920311	1.0 m auger (271149)
1920312	2.0 m auger (271150)
1920313	Shaft pin for end plate (271028)
1920314	Complete bearing and shaft (271081)
1920315	Bearing and cover (271083)
1920319	Intermediary bearing (271047)

Spare parts drawing 1920189 – 1528 27109134

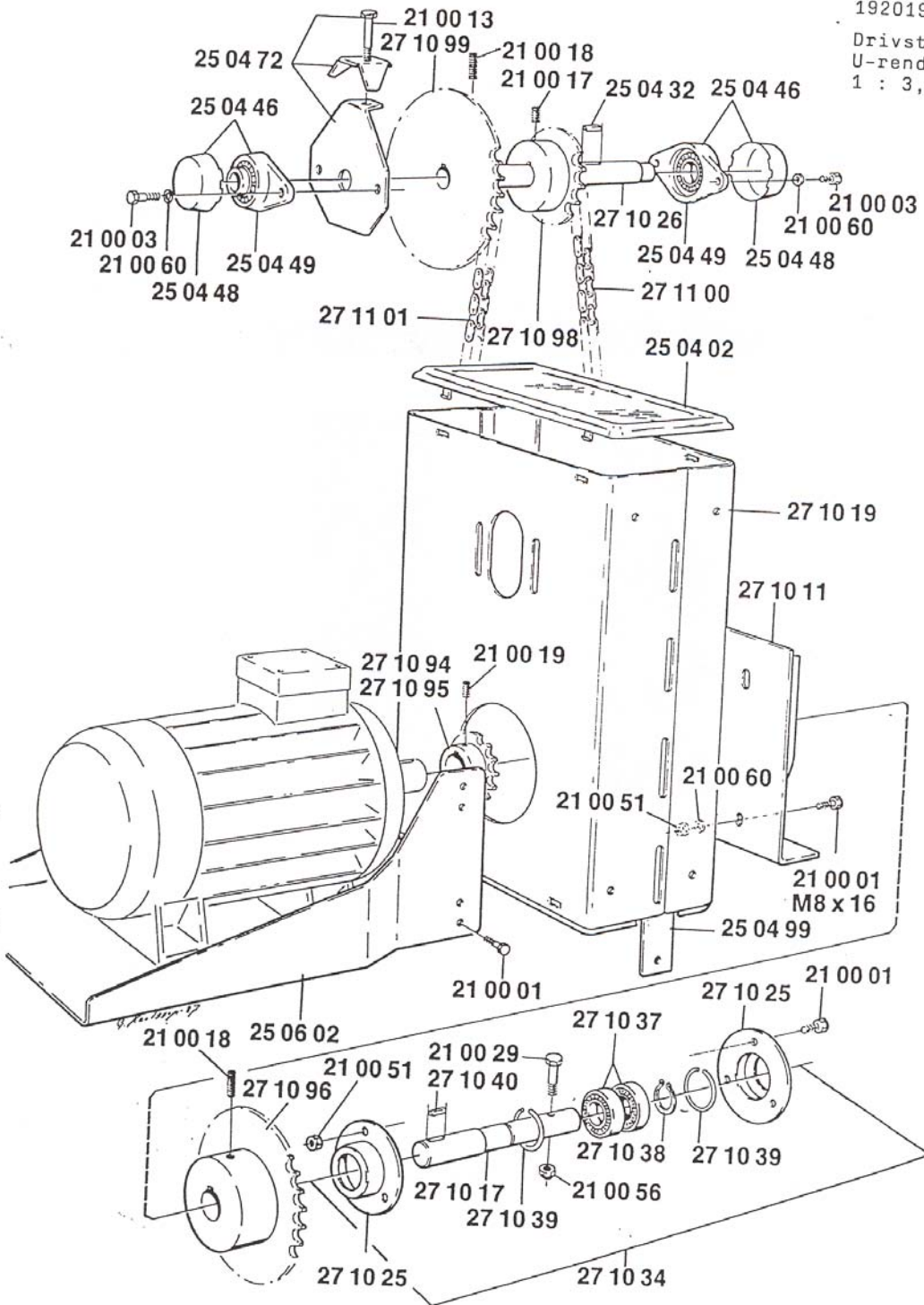
driving unit U10, 1:3.4



Spare parts drawing 1920198 – 1530 27159134

driving unit U15, 1:3.4

1530  
 2715 9134  
 1920198  
 Drivstation  
 U-rende 15  
 1 : 3,4



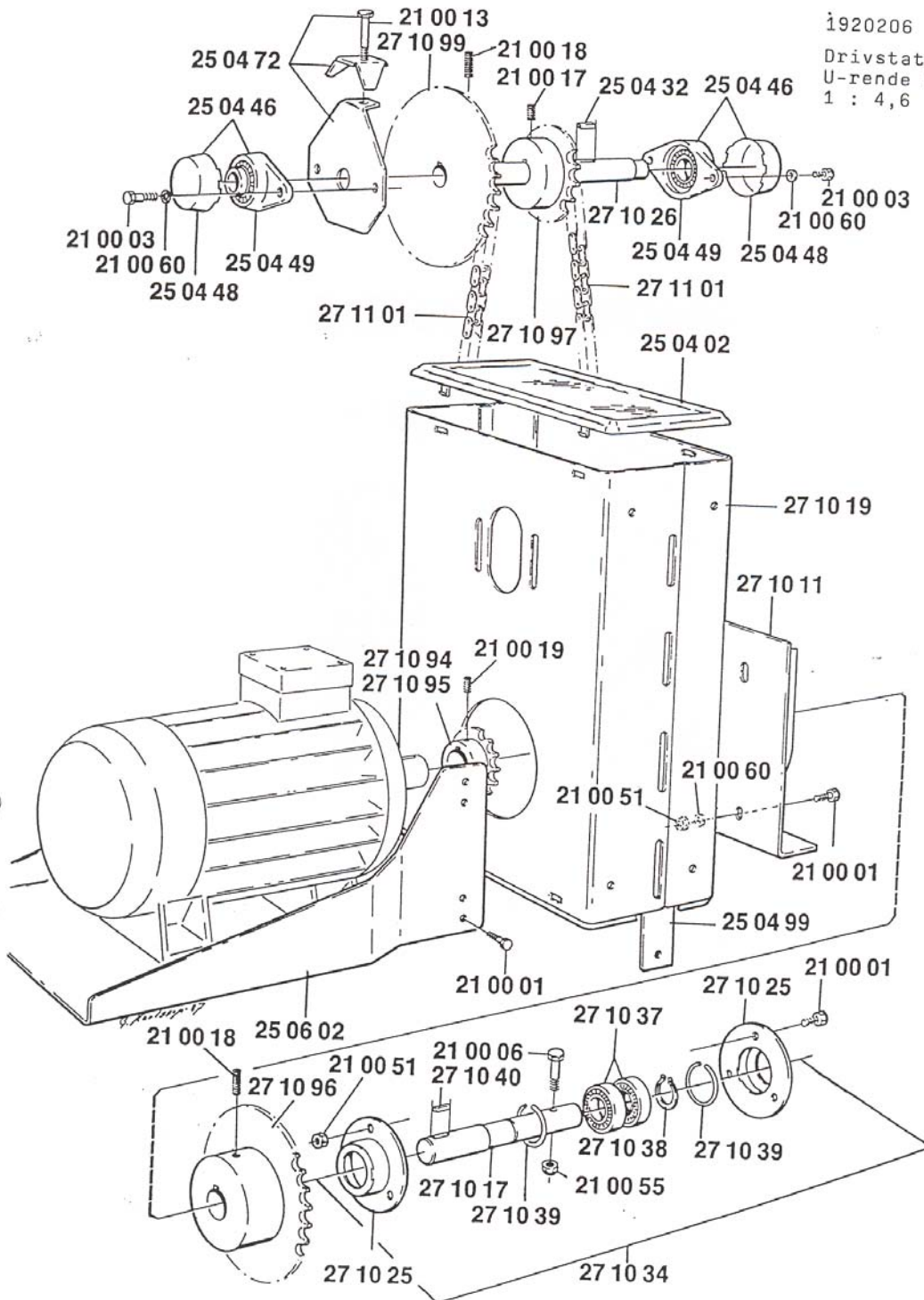


Spare parts drawing 1920206 – 1531 27159146

driving unit U20, 1:4.6

1531  
 2715 9146

1920206  
 Drivstation  
 U-rende 20  
 1 : 4,6

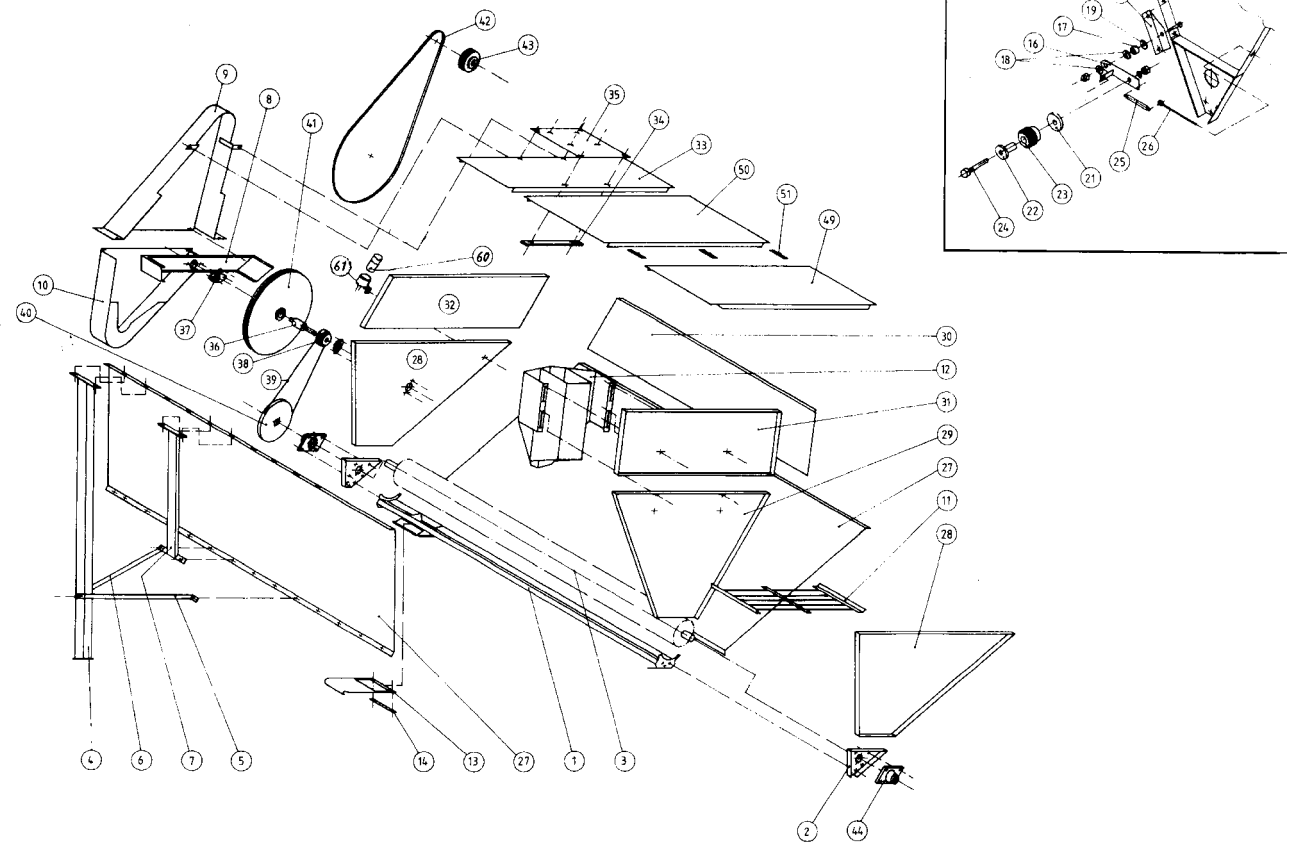


## MILLMIX UNIT COMPACT (UNI-MIX mixer 500 and hammer mill)

### UNI-MIX mixer 300-500 kg:

1	591084	Bottom
2	591087	Bearing plate (2)
3	591089	Auger
4	591091	Legs
8	591097	Bracket for intermediary shaft
9	591100	V-belt guard
10	591103	Chain guard
12	591109	Guiding plate
13	591112	Throttle
16	591115	Arm for tightening roller
19	6002006	Washer 12 mm
	6001015	Lock nut M10
21	298160	Distance ring
22	595059	Shaft for tightening roller
	6001169	Spring washer 12 mm
	6000922	Nut M12
23	595060	Tightening roller
25	595087	Spring
26	595099	Spring tightener
	2320060	Motor 2.2 kW 1400 rpm
36	595272	Intermediary shaft
37	6407064	Bearing (2)
38	595273	Sprocket wheel ½" x 5/16" Duplex
	1125065	Parallel key A8x7x25
39	595275	Chain ½" x 5/16" Duplex
	6900244	Straight joint
	6900250	Bent joint
40	595274	Sprocket wheel ½" x 5/16" Duplex
	1116046	Parallel key A8x7x32
42	2520074	V-belt A-74 for 300 kg (2)
	2520010	V-belt A-100 for 500 kg (2)
44	595278	Bearing housing with bearing (2)
60	7005615	Chain spray

Spare parts drawing COMPACT plant – UNI-MIX mixer

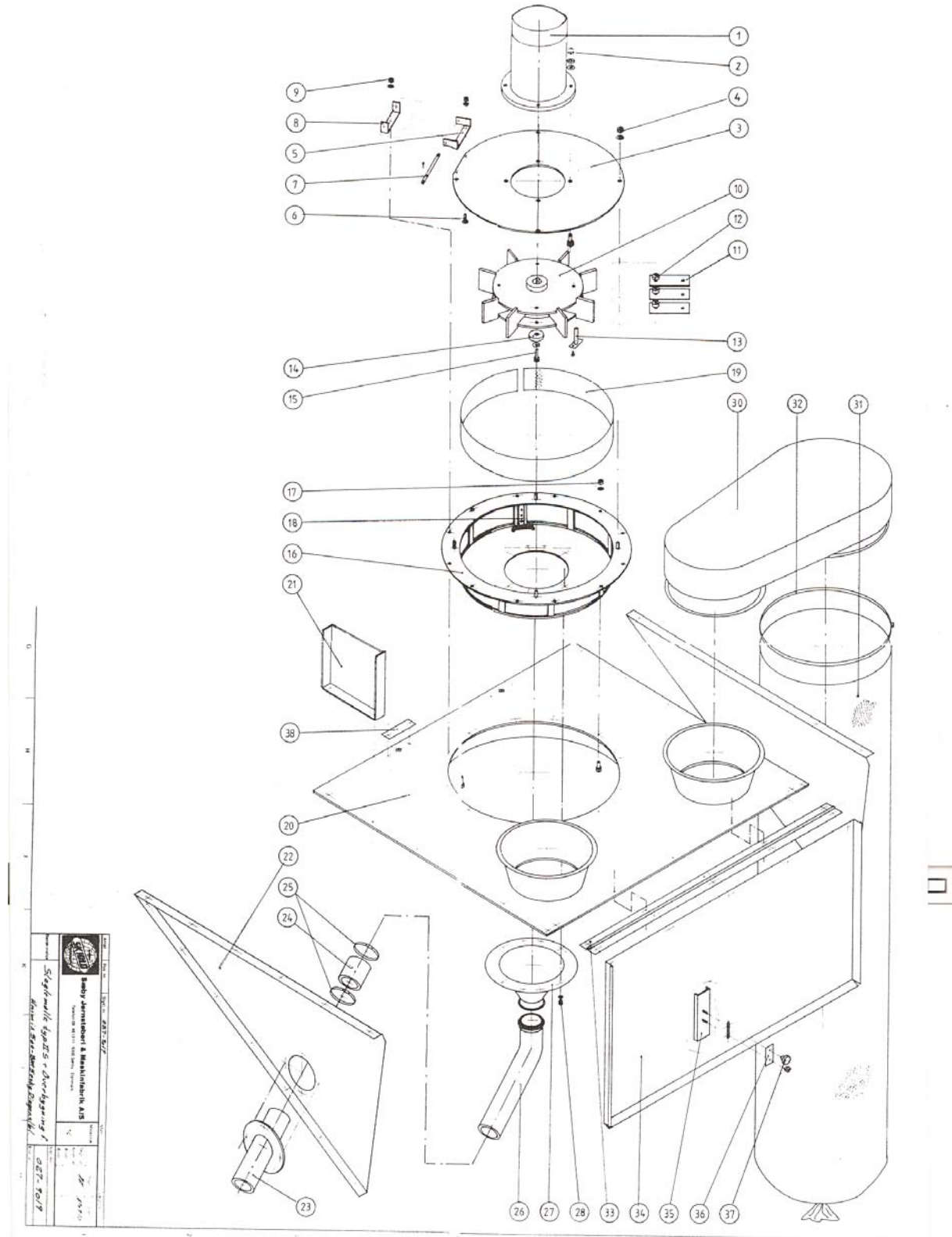


**Hammer mill for COMPACT plant:**

1	2340065	Motor 4 kW 3000 rpm
10	271089	Rotor
11	271057	Set of 12 hammers
12	276092	Distance pipe (12)
13	211073	Hammer bolt (4)
	6004145	Allen screw M6x10 (4)
14	145147	Tension disc for rotor
16	271087	Grinding chamber
	6001172	Spring washer 10 mm for grinding chamber (12)
	6000921	Nut 10 mm for grinding chamber (12)
	6000455	Set screw M10x20 for grinding chamber (11)
	6000456	Set screw M10x25 for grinding chamber
18	211151	Grinding bridge with screws
19	210009	Screen 3.0 mm
	210008	Screen 3.5 mm
	210007	Screen 4.0 mm
	210095	Screen 4.5 mm
	210006	Screen 5.0 mm
23	591138	Suction pipe 30°
24	686029	Rubber socket
25	7004025	Clamp (2)
26	591135	Suction pipe
	1820025	Clamp Ø 80
27	591132	Suction connection
	6000444	Set screw M8x10 (6)
28	6001171	Spring washer 8 mm (6)
31	7004242	Filter 300 mm (4)
32	1820031	Clamp Ø 300



Spare parts drawing No. 027-9019



## PICCOLO milling/mixing plant

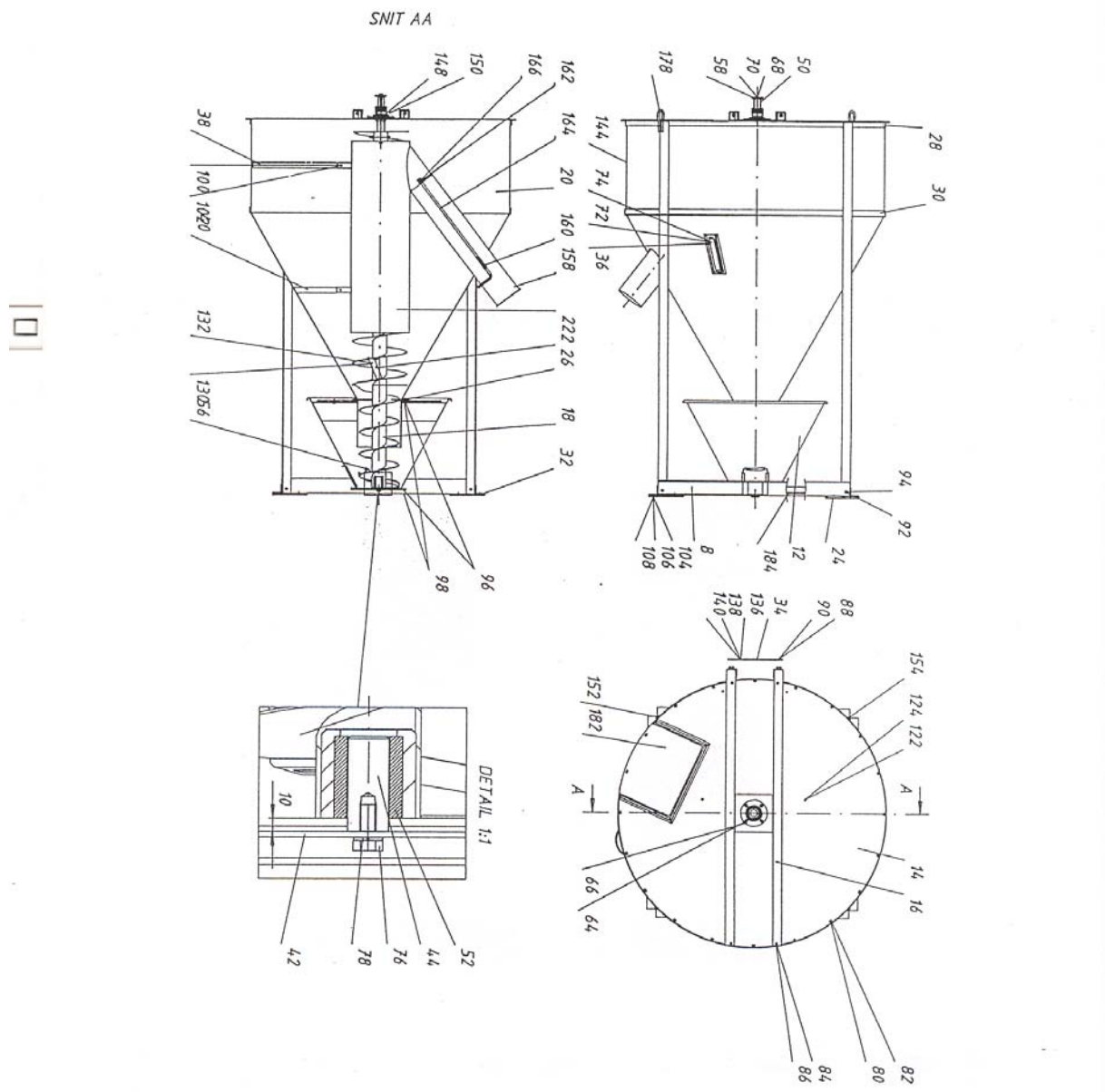
### Mixer:

	600013	Scraper
12	681011	Bottom hopper
18	681066	Auger
222	661007	Forced pipe
44	613030	Pin
52	613005	Lower bearing
56	653000	Scraper
148	6407071	Ball bearing
150	6407072	Bearing housing (2)
	2520012	V-belt (2)
	684001	Filter
	681036	Dust collection hopper
	1820035	Ø 80 mm galv. 90° bend
	685060	Ø 80 mm galv. pipe
	1820025	Ø 80 mm clamp (4)
	686133	Ø 80 mm pipe, L = 150 mm
	816112	Micro switch
	681016	Inlet connection Ø 80 – mixer

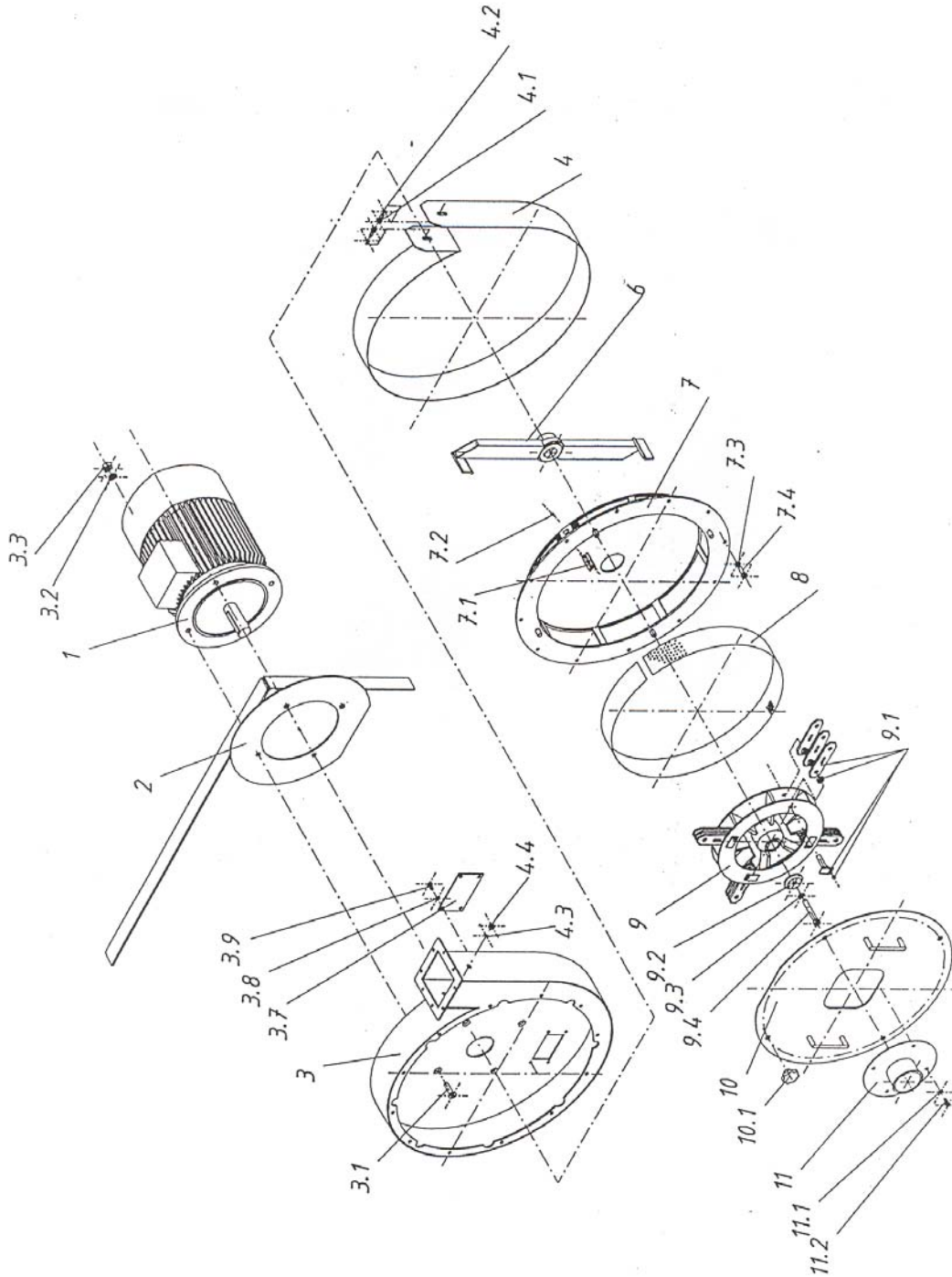
### Hammer mill:

3	211000	Mill housing
4	214002	Reinforcement liner
6	211032	Fan wing
7	211031	Grinding chamber
7,1	211151	Grinding bridge with screws
8	210010	2.5 mm screen
	210009	3.0 mm screen
	210008	3.5 mm screen
	210007	4.0 mm screen
	210096	4.5 mm screen
9	211003	Rotor complete
9,1	211124	Hammer set complete with bolts, screws, and distance rings

Spare parts drawing – mixer for PICCOLO



Spare parts drawing – hammer mill for PICCOLO



**TOMAL PROPORTIONER, OLD MODEL (taken out of production)**

2	811007	Auger right 32 mm
	811009	Auger right 50 mm
3	811008	Auger left 32 mm
	811010	Auger left 50 mm
7	814002	Counter weight
8	814003	Stop ring
11	811013	Motor flange
14	814015	Handle
15	813001	Inspection window
16	814016	Cog wheel for auger (2)
17	814017	Cog wheel, big
18	814018	Cog wheel for motor
	6004103	Screw for cog wheel for motor
20	811029	Gear motor
	6205053	Pipe pin, short, 4x30
	6205055	Pipe pin, long, 4x45
	2391001	Carbon for gear motor without cable (2)
	2391025	Carbon new model SD11/SD12 with cable (2)
	2391009	Carbon, most recent (since 1997) (2)
	2391002	Spring for carbon (2)
	2383047	Timer
21	816112	Omron micro switch
22	811030	Terminal box LK
25	6407045	Bearing

**TOMAL PROPORTIONER, VERY OLD MODEL (taken out of production)**

	814005	Bearing
	814006	Auger right 32 mm
	811001	Auger right 50 mm
	814007	Auger left 32 mm
	811002	Auger left 50 mm
	814008	Stop ring for auger
	814021	Double cog wheel (35 and 7 teeth)



### **TOMIX FINE PROPORTIONER TYPE 2/63**

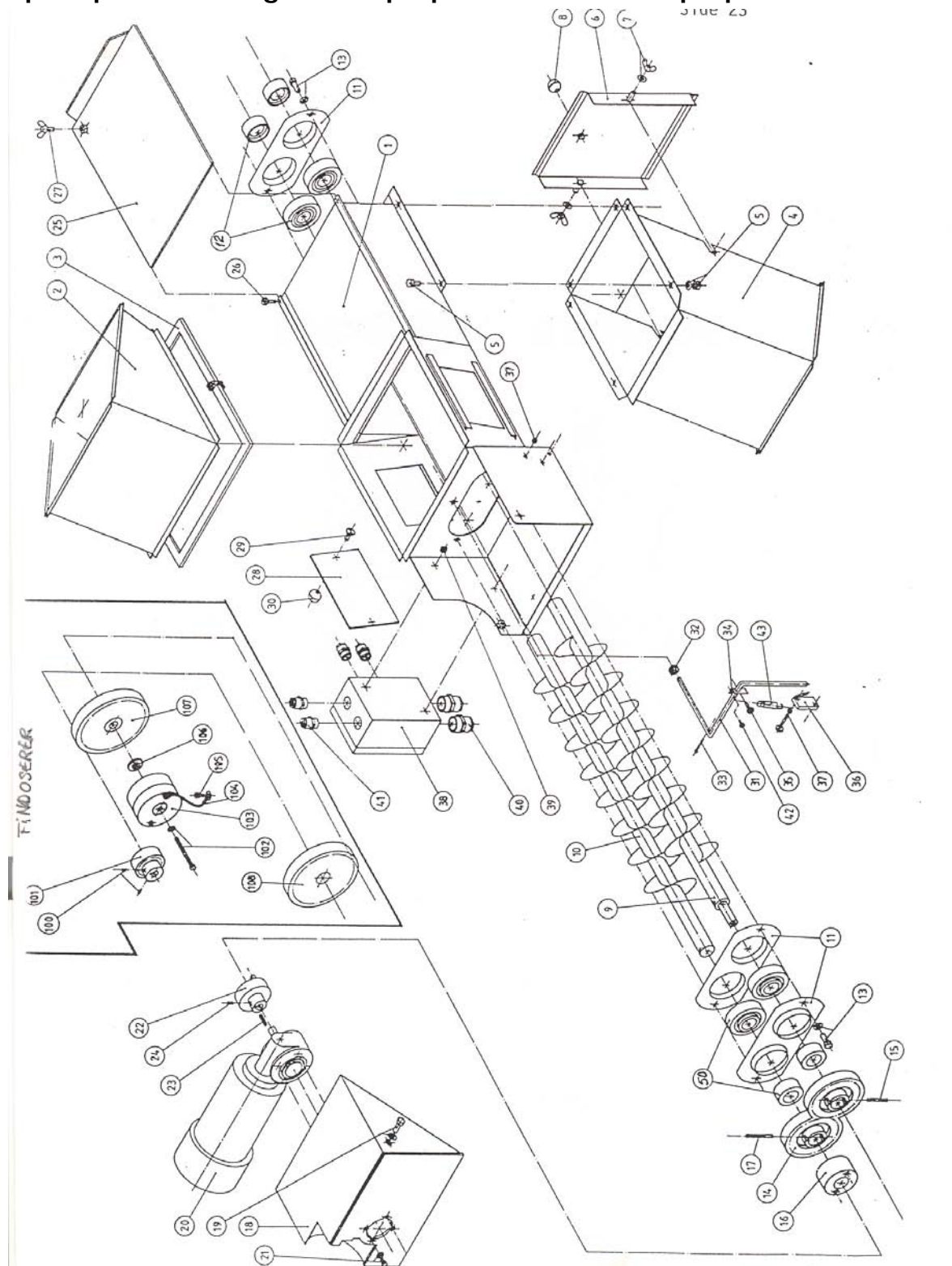
9	811051	Auger right 32 mm
10	811052	Auger left 32 mm
14	814016	Cog wheel for auger (2)
17	6205055	Pipe pin Ø 4x45 mm
100	6004103	Allen screw (2)
101	816151	Cog wheel for motor, 7 teeth
102	6003331	Machine screw M5x50
	6001170	Spring washer 5 mm
103	1400127	Revolution guard
104	811054	Attachment for revolution guard
105	6000430	Set screw M5x10
	6000918	Nut M5
	6001170	Spring washer 5 mm
106	816146	Distance disc
107	811053	Cog wheel for instantaneous load, 24/7 teeth
108	816145	Cog wheel, 24 teeth

### **TOMIX PROPORTIONER TYPE 40/1300**

9	811048	Auger right 50 mm
10	811049	Auger left 50 mm
12	6407045	Bearing (2)
14	814016	Cog wheel for auger (2)
16	816150	Coupling half
17	6205055	Pipe pin Ø 4x45 mm
20	811055	Gear motor
22	816149	Coupling half
23	816170	Parallel key A3 x 3 x 20
25	816138	Throttle
28	816139	Inspection window (2)
31	816133	Empty indicator arm
36	2392002	Micro switch
50	6407044	Bearing (2)
	2391025	Carbon for SD11 and SD12 TOMIX motor (8x8 mm with conductor)



Spare parts drawing TOMIX proportioner and fine proportioner

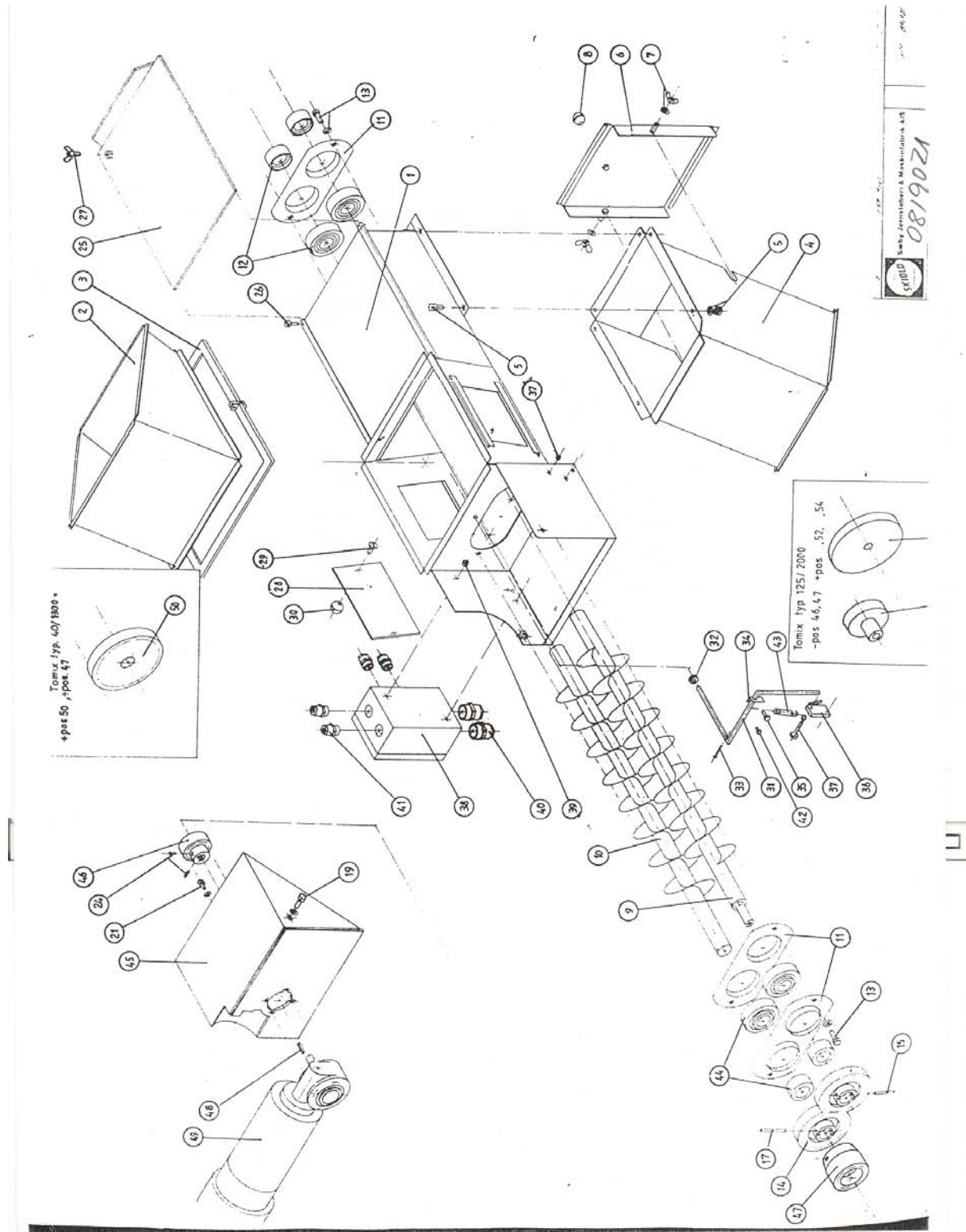




**TOMIX PROPORTIONER TYPE 125/2000**

9	811048	Auger right, 50 mm
10	811049	Auger left, 50 mm
12	6407045	Bearing (2)
14	814016	Gear wheel for auger (2)
15	6205053	Split pin Ø 4x30 mm
17	6205055	Split pin Ø 4x45 mm
24	6004103	Allen screw M4x6
28	816139	Inspection window (2)
31	816133	Empty indicator arm
36	2392002	Micro switch
44	6407044	Bearing (2)
46	6900001	Gear wheel, 7 teeth (old No. 854003)
47	875008	Gear wheel
48	835035	Parallel key A4x4
49	871002	Gear motor
50	816283	Gear wheel, 24 teeth (old No. 811083)
52	871004	Gear wheel, 13 teeth
54	871003	Gear wheel, 30 teeth

Spare parts drawing No. 819021

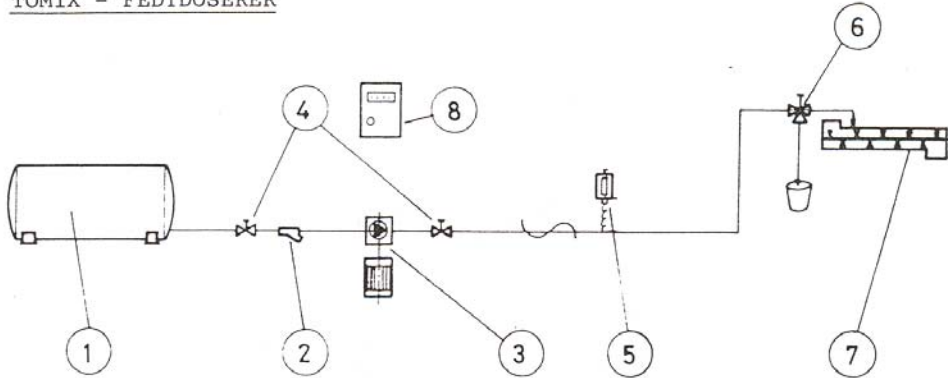


TOMIX PLANT - FAT MIXER

1	701000	Fat mixer
	701004	Auger for fat mixer
2	705014	Pipe
3	705015	Shaft pin, inlet end
4	705016	Shaft pin, outlet end
5	701003	Palette (36)
6	6000921	Nut M10 (36)
	6001182	Locking screw 10 mm (36)
7	705018	Loose end plate
8	6000447	Set screw M8x20 (4)
	6001171	Spring washer 8 mm (4)
	6001182	Nut M8
9	6407064	Bearing PFT 25 FM (2)
10	6000447	Set screw M8x20 (4)
	6001171	Spring washer 8 mm (4)
	6001182	Nut M8 (4)
11	705021	V-belt pulley A200-2
12	2520036	V-belt A36 (2)
13	705022	V-belt pulley A71-2
14	701002	Belt guard
15	6001182	Nut M8 (2)
	6001171	Spring washer 8 mm (2)
16	705019	Motor plate
17	6000921	Nut M10 (8)
	6001172	Spring washer 10 mm (8)
18	2320062	Motor 1.1 kW 1400 rpm
19	6000458	Set screw M10x35 (4)
	6001172	Spring washer 10 mm (4)
	6002005	Tension disc 10 mm (4)
	6000921	Nut M10 (4)
20	701001	Inspection flap
21	705020	Locking device (4)
22	6001036	Wing nut M8 (4)
	6001171	Spring washer 8 mm (4)
23	6802093	Union 3/8"

Spare parts drawing No. 070-9000

TOMIX - FEDTDOSERER

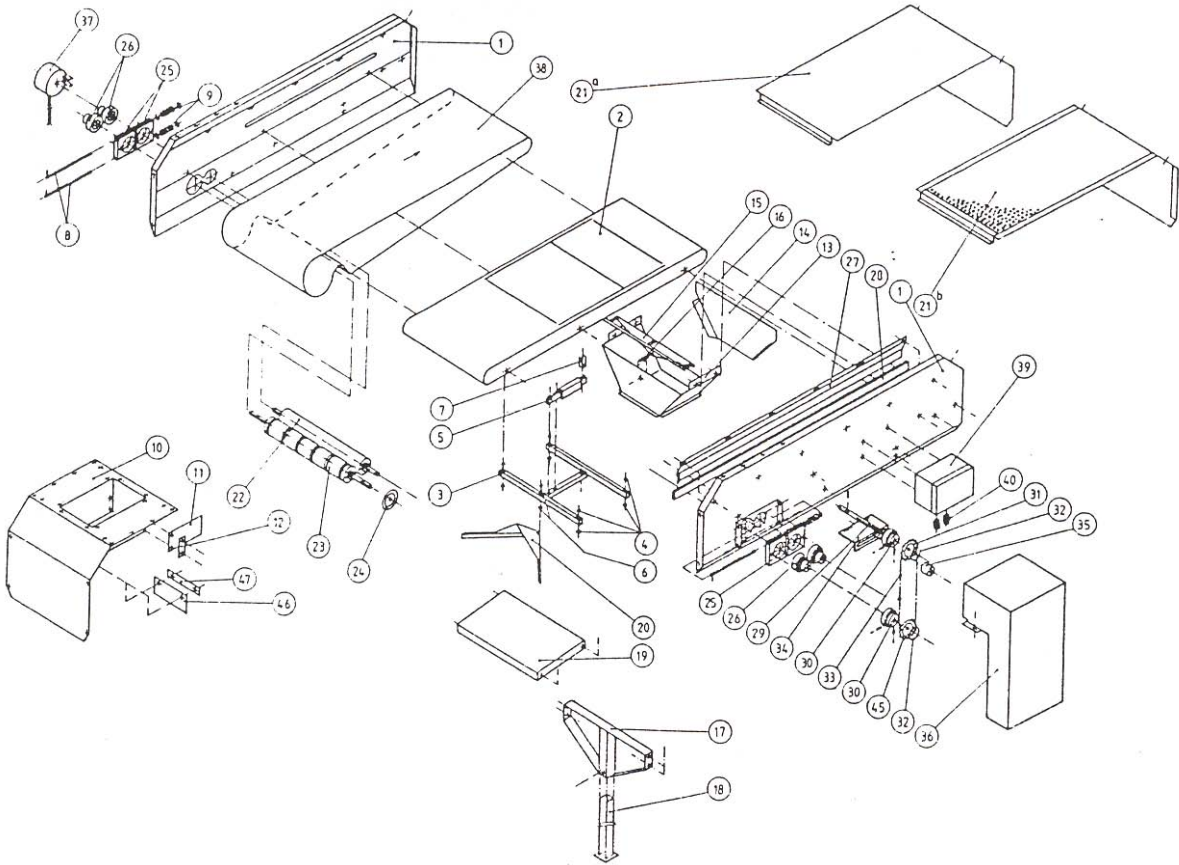


SKIOLD FEEDTRONIC

**Belt weigher type 2000**

1	811057	Side plate
2	811058	Weigh bridge
4	7004462	Insulation washer (8)
5	2380137	Load cell
7	816207	Weight distributor
11	816198	Rubber flap 2 mm (2)
15	816202	Scraper for belt, outside
16	816203	Spring for scraper
20	816204	Scraper for belt, inside
22	816195	Driving roller
23	816196	Pressure roller
24	6408069	O-ring (4)
25	816197	Bearing housing (2)
26	6407008	Ball bearing (4)
28	816200	Felt (2)
31	6305005	Cogwheel ½" x 3/8" (2)
32	6301065	Circlip spring ring (2)
33	816208	Chain ½" x 3/8"
	6900055	Joint ½" x 3/8"
35	816211	Tension roller
37	1400127	Revolution guard
38	7004460	Transport belt

Spare parts drawing – belt weigher, type 2000



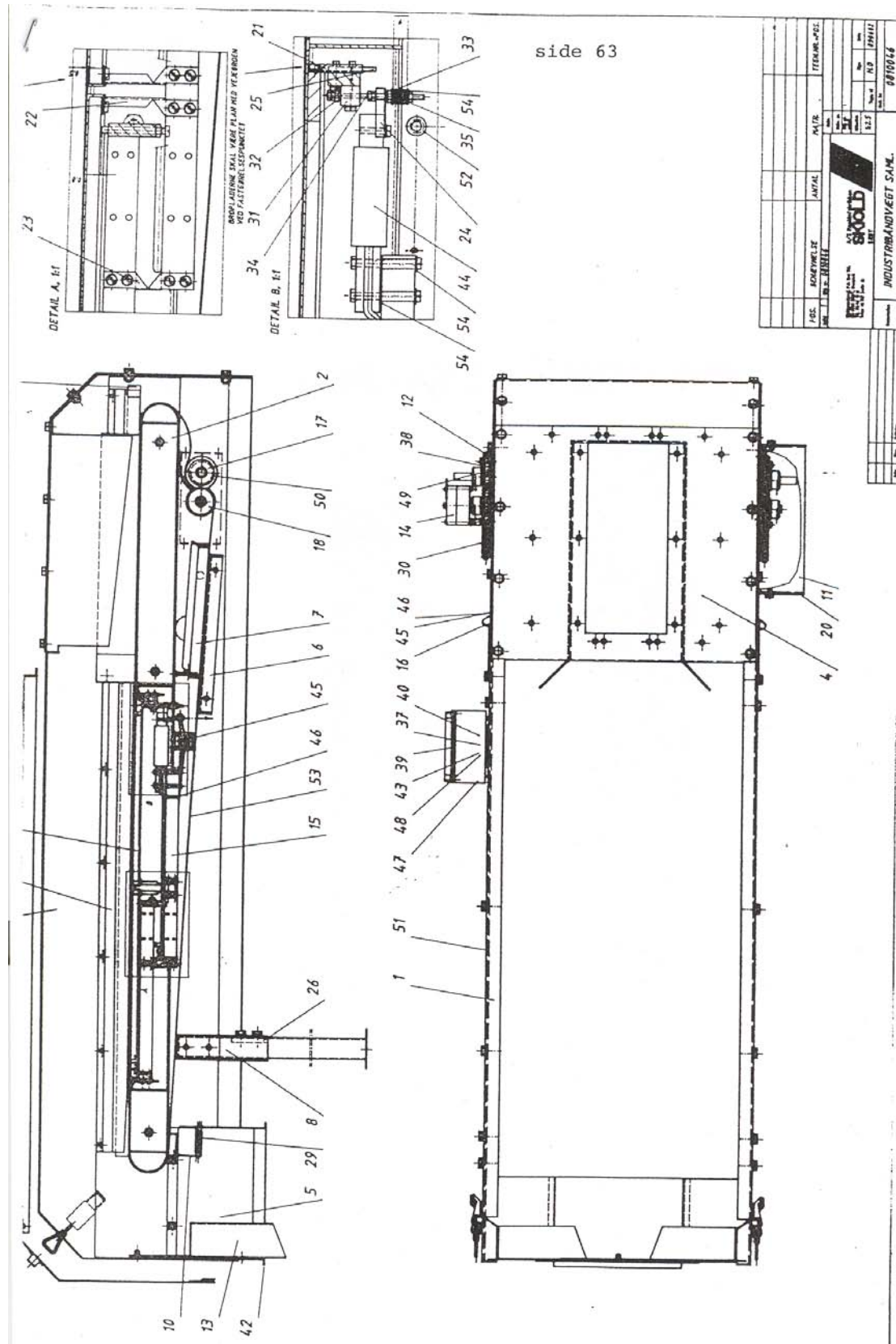
**SPARE PARTS LIST****POS. ORDER NO. DESCRIPTION**

Belt weigher Industry type 10000

2	811070	Weigh bridge
3	811071	Bridge plate (2)
4	811072	Cover with inlet
5	811073	Outlet
7	811075	Inside scraper
10	811078	Outside scraper
11	811079	Support plate for intermediary bearing
12	811080	Guide for bearing housing (4)
13	811081	Test tube
14	811066	Revolution guard
17	816310	Driving roller
18	816311	Pressure roller
19 +	816266	Felt guide
21-24		
25	816269	Thread for bridge plate (4)
28	816273	Felt for belt weigher industry (2)
29	816274	Spring for outside scraper
30	816276	Spring for guide shafts (4)
31	816277	PVC block
32-33	816278	Set centre nuts
34	816279	Threaded bar
35	816280	Pressure spring
38	816197	Bearing housing (4)
44	2380137	Load cell
45	2381180	Cable bracket (4)
46	2381181	Cable binder (7)
49	6407008	Ball bearing (4)
50	6408069	O-ring (17)
53	7004459	Transport belt
54	7004462	Insulation washer (6)



Spare parts drawing No. 810046 – belt weigher, type 10000





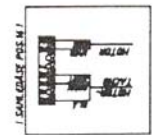
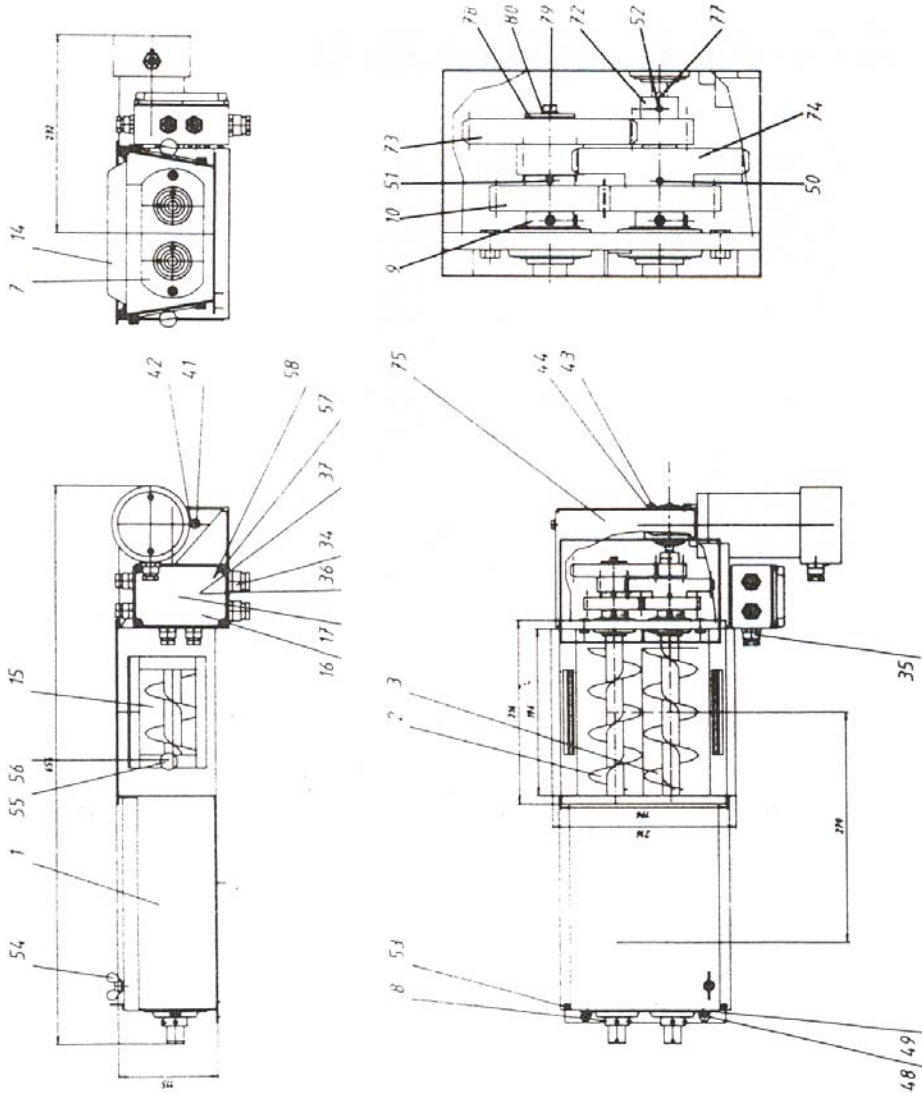
**SPARE PARTS LIST**  
**POS. ORDER NO. DESCRIPTION**



TOMIX proportioner, type Industry 2/63

2	811048	Auger right, 50 mm
3	811049	Auger left, 50 mm
7	826041	Bearing housing
8	6407045	Bearing GYE 20 KRRB
9	6407044	Bearing YAR-2FF
10	814016	Gear wheel, 16 teeth
15	816139	Inspection window
41	6000436	Set screw M6x16
42	6001174	Spring washer 6 mm
43	6000429	Set screw M5x12
44	6001170	Spring washer 5 mm
48	6000436	Set screw M6x12
49	6001174	Spring washer 6 mm
50	6205055	Split pin Ø 4x45 mm
51	6205053	Split pin Ø 4x30 mm
52	6004103	Allen screw M4x6
54	6003626	Wing screw M6x8
55	6003427	Machine screw M6x12
56	6302011	Bakelite ball
72	816151	Cogwheel, 7 teeth
73	811053	Gearwheel with instantaneous release
74	816145	Cogwheel, 26 teeth
75	811050	Motor bracket
76	811055	Gear motor
77	816170	Parallel key A3 x 3 x 20
78	875013	Tension disk 30 mm
79	6000429	Set screw M5x12
80	6001170	Spring washer 5 mm

Spare parts drawing No. 879000 – TOMIX Industry 2/63




**SPARE PARTS LIST**  
**POS. ORDER NO.**

**DESCRIPTION**



TOMIX proportioner type Industry 40/1300

2	811048	Auger right, 50 mm
3	811049	Auger left, 50 mm
4	871001	Motor bracket
6	871002	Gear motor
7	826041	Bearing housing
8	6407045	Bearing GYE 20 KRRB
9	6407044	Bearing YAR-2FF
10	814016	Gear wheel, 16 teeth
12	6900001	Gear wheel steel, 7 teeth (old No. 854003)
13	835035	Parallel key
15	816139	Inspection window
41	6000436	Set screw M6x16
42	6001174	Spring washer 6 mm
43	6000429	Set screw M5x12
44	6001170	Spring washer 5 mm
48	6000436	Set screw M6x12
49	6001174	Spring washer 6 mm
50	6205053	Split pin Ø 4x30 mm
51	6205055	Split pin Ø 4x45 mm
52	6004103	Allen screw M4x6
54	6003626	Wing screw M6x8
55	6003427	Machine screw M6x12
56	6302011	Bakelite ball
57	6003326	Machine screw M5x10
58	6000918	Nut M5
69	811083	Cogwheel, 24 teeth



**SPARE PARTS LIST**  
**POS. ORDER NO.**

**DESCRIPTION**



TOMIX proportioner type Industry 125/2000

2	811048	Auger right, 50 mm
3	811049	Auger left, 50 mm
4	871001	Motor bracket
6	871002	Gear motor
7	826041	Bearing housing
8	6407045	Bearing GYE 20 KRRB
9	6407044	Bearing YAR-2FF
10	814016	Gear wheel, nylon, 16 teeth
12	6900001	Gear wheel, steel, 7 teeth (old No. 854003)
13	835035	Parallel key
15	816139	Inspection window
41	6000436	Set screw M6x16
42	6001174	Spring washer 6 mm
43	6000429	Set screw M5x12
44	6001170	Spring washer 5 mm
48	6000436	Set screw M6x12
49	6001174	Spring washer 6 mm
50	6205053	Split pin Ø 4x30 mm
51	6205055	Split pin Ø 4x45 mm
52	6004103	Allen screw M4x6
54	6003626	Wing screw M6x8
55	6003427	Machine screw M6x12
56	6302011	Bakelite ball
70	871003	Cogwheel, 30 teeth
71	871004	Cogwheel, 13 teeth



TOMIX proportioner type Industry 250/4500

2	811048	Auger right, 50 mm
3	811049	Auger left, 50 mm
4	871001	Motor bracket
5	811082	Connection
6	871002	Gear motor
7	826041	Bearing housing
8	6407045	Bearing GYE 20 KRRB
9	6407044	Bearing YAR-2FF
10	814016	Cogwheel, nylon, 16 teeth
11	875008	Cogwheel, nylon, 7 teeth
12	6900001	Gear wheel, steel, 7 teeth (old No. 854003)
13	835035	Parallel key
14	875005-5	Throttle
15	816139	Inspection window
20	813040	Hub
21	814029	Sprocket wheel with pin, 1/2" x 1/8", 12 teeth
22	814030	Sprocket wheel with pin, 1/2" x 1/8", 13 teeth
23	814032	Sprocket wheel with pin, 1/2" x 1/8", 16 teeth
24	814034	Sprocket wheel with pin, 1/2" x 1/8", 24 teeth
25	816271	Bearing housing
26	875006	Chain, 25 links
27	875007	Chain, 65 links
28	816211	Tension roller
29	1116027	Threaded rod 6 x 20 mm
30	816281	Guard
31	6407008	Ball bearing RAE 12 NPP
32	6301065	Circlip
33	6900055	Connection link
41	6000436	Set screw M6x16
42	6001174	Spring washer 6 mm
43	6000429	Set screw M5x12
44	6001170	Spring washer 5 mm
50	6205053	Split pin Ø 4x30 mm
51	6205055	Split pin Ø 4x45 mm
52	6004103	Allen screw M4x6
56	6302011	Bakelite ball
59	6205072	Split pin Ø 4x16 mm
58	6004117	Allen screw M5x8





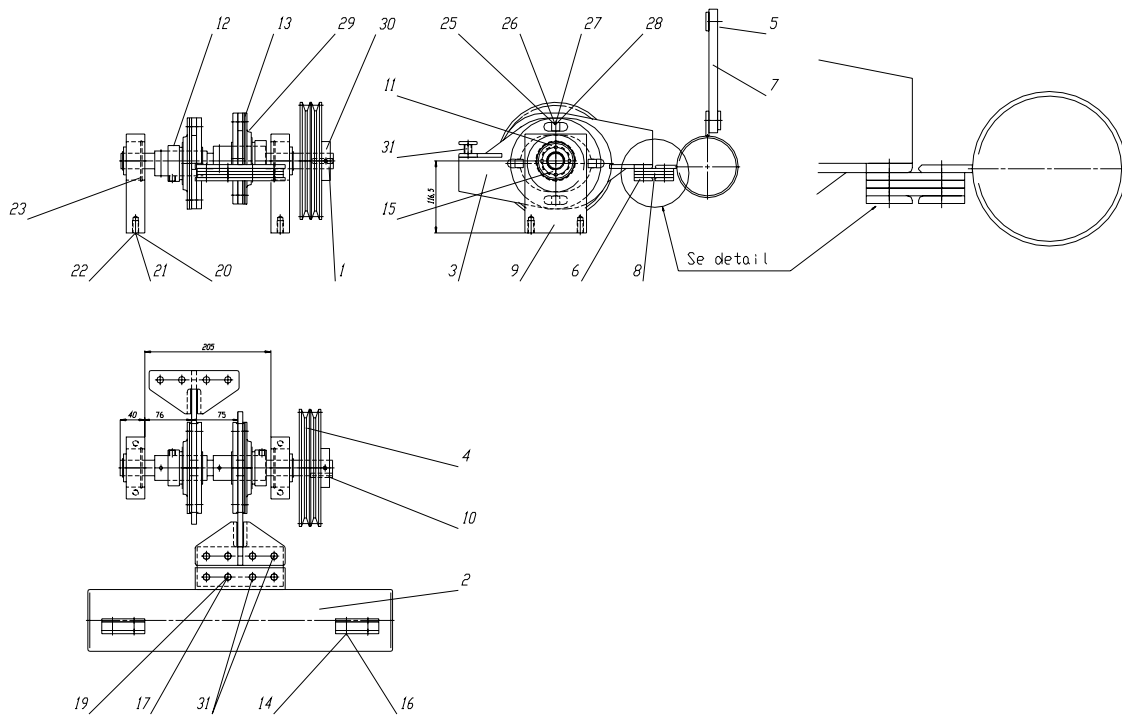


**SPARE PARTS LIST**  
**POS. ORDER NO. DESCRIPTION**



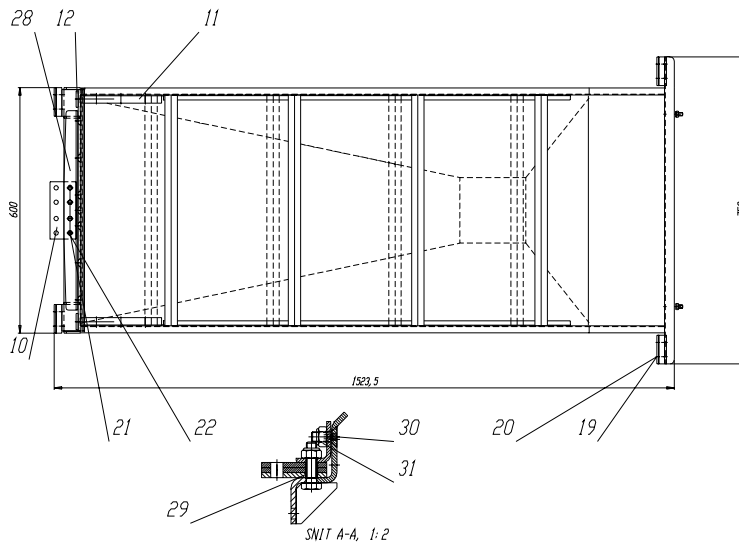
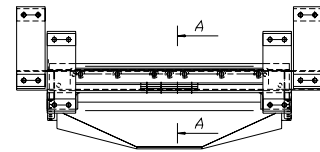
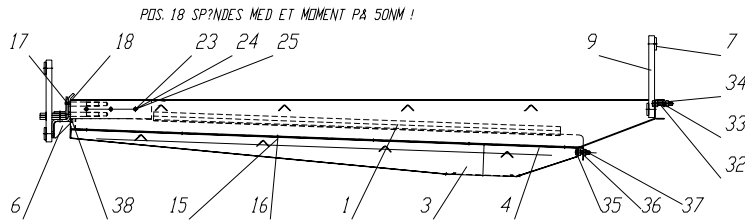
SCREEN CLEANER - drawing 209032

0	201206	Eccentric shaft complete
1	1511091	Eccentric shaft
4	2430090	V-belt pulley Taperlock
7	1515057	Suspension belt (2)
8	1515058	Oscillation belt (3)
9	206315	Bearing housing (2)
11	6404040	Spherical ball bearing (2)
12	6407071	Ball bearing (2)
13	6407072	Bearing housing half (4)
14+17	6000459	Steel set screw (20)
15	6405074	Split bushing for bearing (2)
16+19	6001015	Lock nut (20)
20	6000456	Steel set screw (4)
23	6301060	Seeger circlip ring (2)
30	2430091	Taperlock bushing for V-belt pulley
31	1515233	Bushing for oscillation belt (12)



**SCREEN CLEANER - drawing 209033**

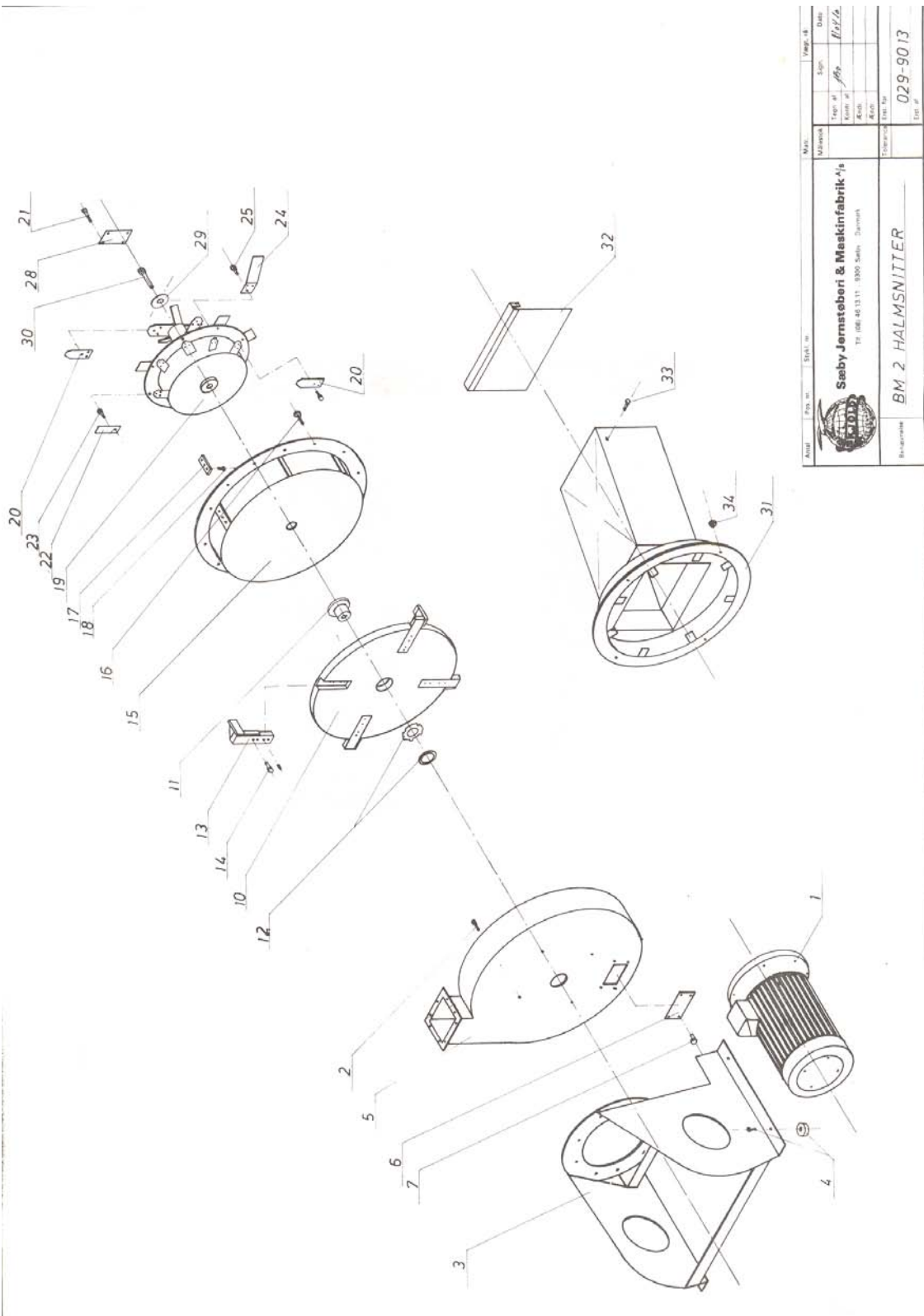
9	1515057	Suspension belt (4)
10	1515058	Oscillation belt (3)
21	6000459	Steel set screw (4)
22	6001015	Steel lock nut (4)
29	1515233	Bushing for oscillation belt (8)



**STRAW CUTTER TYPE BM, 7.5 KW**

2	6004006	Allen screw M12x50 (4)
	6001169	Spring washer M12 FZB (4)
	6000922	Nut M12 FZB (4)
4	6306052	Vibration damper (4)
	6000465	Set screw M12x20 FZB (4)
	6001169	Spring washer M12 FZB (4)
5	211000	Housing
6	213008	Blind plate
7	6000445	Set screw M8x12 FZB (4)
	6001171	Spring washer M8 FZB (4)
13	211030	Wings, 1 set = 4 pcs.
14	6004005	Allen screw M8x20 (8)
	6205063	Spiral split M8x12 (3)
15	211031	Grinding chamber
16	6000454	Set screw M10x16 FZB (12)
	6001172	Spring washer M10 FZB (12)
17	211151	Grinding bridge with screws
	214001	Grinding bridge
18	6004177	Allen screw M8x12 MK (3)
19	291123	Straw rotor complete
20	294000	Machine knife (12)
21	6000437	Set screw M6x15 8.8 FZB (36)
	6001174	Spring washer M6 FZB (36)
	6000919	Nut M6 8.8 FZB (36)
22	295001	Cutting knife (8)
23	298650	Disc (8)
	6004190	Allen screw (8)
	6002002	Tension disk M8 FZB (8)
24	298122	Knife for straw rotor (2)
25	298649	Retaining plate (2)
	6001171	Spring washer M8 FZB (6)
	6004192	Allen screw (6)
28	298159	Plate for pre-cutter
29	298160	Tension disk
	291237	Set of knives

Spare parts drawing straw cutter BM, 7.5 kW

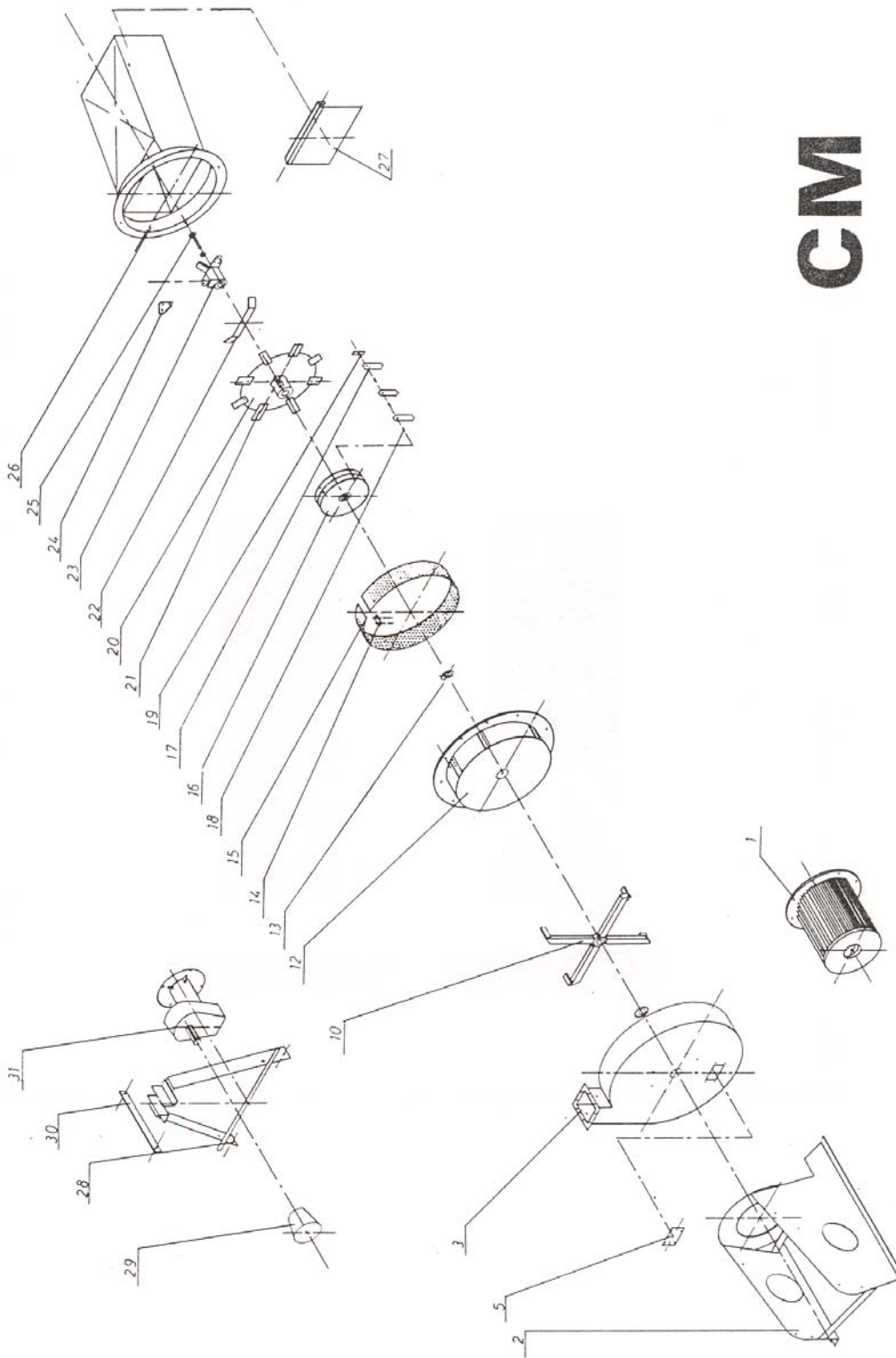


Model	Part no.	Stock no.	Page 48
 <b>Sæby Jernstøberi &amp; Maskinfabrik A/S</b> Tel: (086) 46 13 11 · 8300 Sæby · Danmark			Sign: <i>[Signature]</i> Date: <i>11/2/08</i>
Manufacturer	Part no.	Stock no.	Drawn by
BM 2 HALMSNITTER	029-9013		

**STRAW CUTTER TYPE CM, 11 KW**

2	221076	Motor mounting
3	221081	Housing
	6000445	Set screw M8x12 FZB (4)
	6001171	Spring washer M8 FZB (4)
10	220017	Fan complete, 4-winged
12	221072	Grinding chamber
	6000454	Set screw M10x16 FZB (12)
	6001172	Spring washer M10 FZB (12)
13	224019	Distance ring
14	221158	Grinding bridge with screws
	224020	Grinding bridge
	6004177	Allen screw M8x12 FZB (3)
15	290025	Screen 30 x 30 mm
16	221003	Rotor complete
17	221124	Hammers cpl. with bolts and screws etc.
	223021	Hammers, set
18	183004	Distance ring (12)
19	221075	Hammer bolt (4)
	6004003	Screw M6x16 MK (4)
20	291112	Pre-cutter complete
21	295001	Cutting knife (8)
	298650	Tension disk (8)
	6002002	Tension disk M8 FZB (8)
	6004190	Allen screw (8)
	6001014	Lock nut M8 FZB (8)
22	298108	Knife
23	291111	Pre-cutter complete
24	294000	Machine knife (2)
	6000437	Steel bolt M6x15 FZB (6)
	6000919	Steel nut M6 FZB (6)
	6001174	Spring washer M6 FZB (6)
25	6000409	Bolt M16x110 FZB
	6001173	Spring washer M16 FZB
26	291109	Suction chute
28	220042	Tractor lift suspension
31	6801027	Gear box
	291235	Set of knives

Spare parts drawing straw cutter type CM, 11 kW

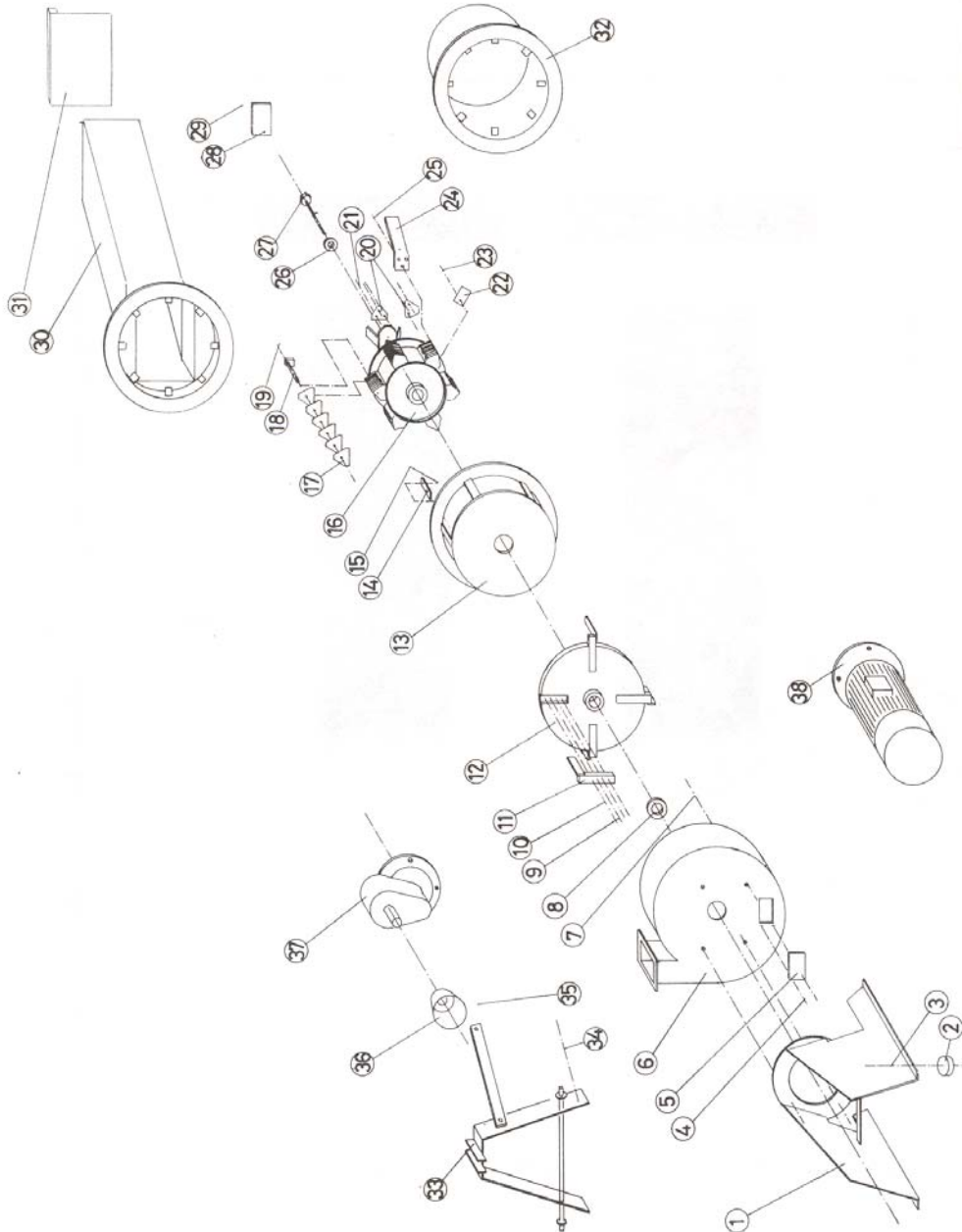


**CM**

**STRAW FINE CUTTER TYPE CM, 11 KW**

1	221076	Support
2	6306052	Vibration dampers (4)
3	6000465	Set screw (4)
	6001169	Spring washer (4)
4	6000445	Set screw M8x12 FZB (4)
	6001171	Spring washer M8 FZB (4)
5	213008	Blind plate
6	221081	Housing
7	6004010	Allen screw (4)
	6000923	Nut (4)
	6001173	Spring washer (4)
8	224019	Distance ring
9	6205063	Spiral split (8)
10	6004005	Allen screw (8)
11	221027	Loose wings (4)
12	291199	Fan with fly wheel, 4-winged
13	221072	Grinding chamber
14	221158	Grinding bridge with screws
16	291222	Rotor for fine cutter, complete
17	294000	Machine knife (36)
18	291223	Knife bolt (6)
19	6004003	Screw M6x16 MK (6)
20	294000	Machine knife (4)
21	6000437	Set screw (12)
22	295001	Cutting knife (8)
23	298650	Tension disc (8)
	6001171	Spring washer (8)
	6004190	Bolt (8)
24	298122	Knife (2)
26	298080	Tension disc
	6001173	Spring washer
27	6000409	Bolt M16x110
28	298159	Plate

Spare parts drawing fine cutter CM, 11 kW



		Baby-Jernstuber & Maskinfabrik AB 74 400 40174 1000 Skövde, Sverige	
CMB Lasercenter		090 90 87	
Skovde	1100	1100	1100



**STRAW CUTTER TYPE JIK TURBO**

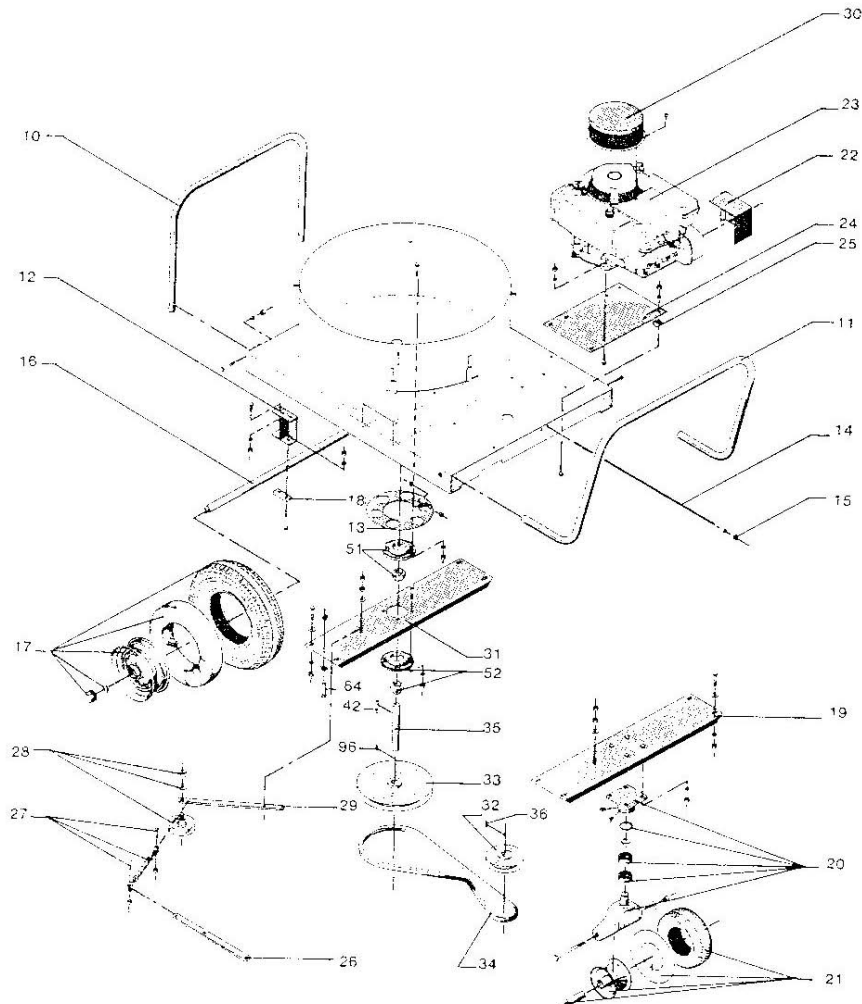
13	1601580	Air throttle
14	1604050	Air regulation arm
15	6302011	Bakelite ball
16	1604110	Wheel shaft
17	6900219	Wheel Ø 16" (2)
20	6900218	Fork
21	6900217	Wheel Ø 10"
23	2310520	Engine 8.5 kW, petrol
24	1604100	Motor plate
25	1604260	Distance bushing (4)
26	1604080	Coupling arm
27	2700028	Rigging screw
28	1601171	Tension roller
29	1604070	Rocker arm
31	1601570	Bearing socket
32	1604090	Belt pulley A-1-90
33	1604060	Belt-pulley A-1-225
34	2520062	V-belt Roflex Special A-62
35	1604030	Rotor shaft
36	1604250	Parallel key ¼"
37	1601590	Rotor Ø 25
38	1601760	12 short hammer knives (for cutter with screen)
	1601770	4 short hammer knives (for cutter without screen)
39	1601780	8 long hammer knives (for cutter without screen)
40	132003	Hammer bolt (4)
41	1603500	Distance ring (8)
43	1601600	Shredding disc, petrol (3.2 mm)
	1601380	Shredding disc, electric motor, 5 mm
44	1603510	Centre knife, petrol
	1602540	Centre knife, electric motor
45	6001172	Washer for centre bolt
46	1603740	Centre bolt 3/8 WGL, petrol, left-hand thread
47	1602550	Shredder knife (2)
48	1601710	2 straw throwers, petrol
	1601720	2 straw throwers, electric motor
	6000416	Steel bolt M8x10 10.9 (2)
	6000417	Steel bolt M8x16 10.9 (4)
	6000419	Steel bolt M8x20 10.9 (4)
	6001147	Tension disc M8 (4)
49	1601810	Grinding chamber
50	1601400	Bracket for grinding chamber (4)
51-52	6407061	Bearing INA PMEY-25
	1601730	Gas regulation
54	1604320	Striking plate, electric motor
55	6000467	Bolt M12x35, electric motor
56	1604400	Clamp for leg, long
57	1601360	Rotor Ø 38

**SPARE PARTS LIST**  
**POS. ORDER NO. DESCRIPTION**

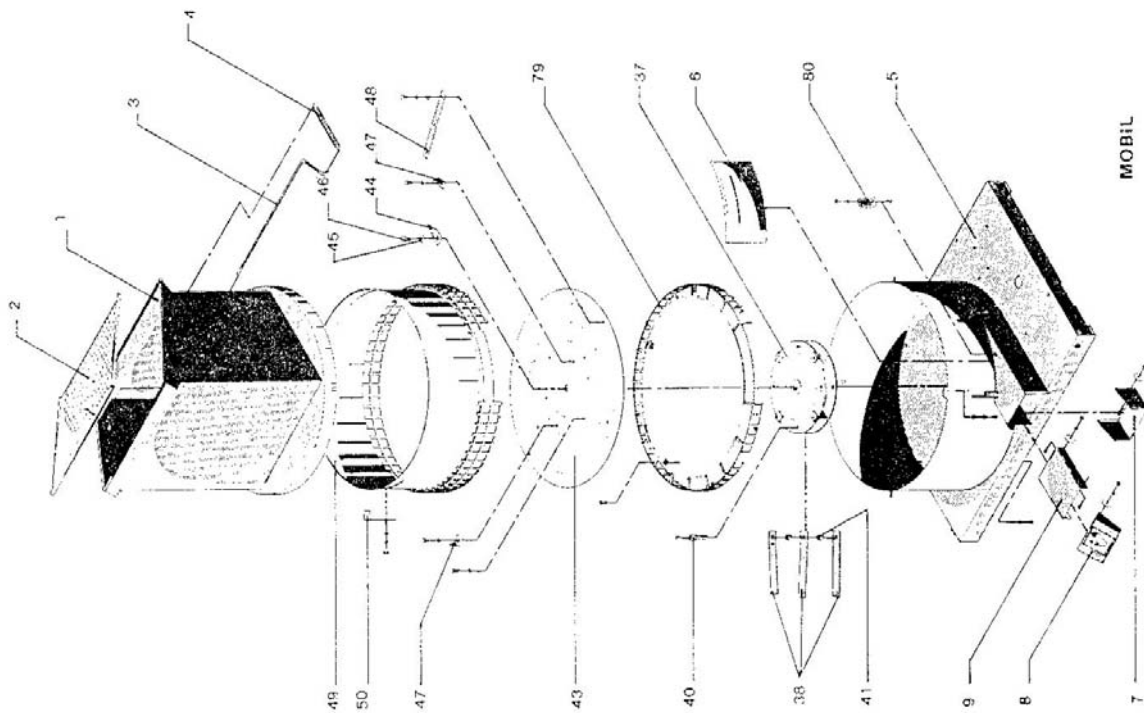
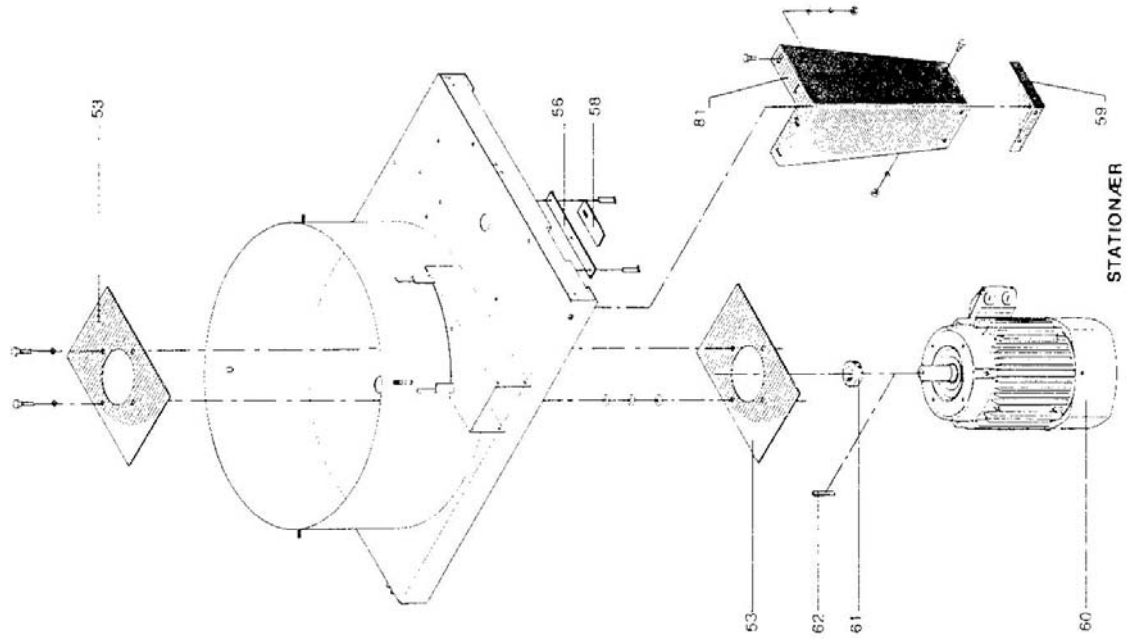


58	1604410	Clamp for leg
60	2320094	Electric motor 5.5 kW
		Fixation bolt M6x16 (2)
79	1600230	Screen 60 x 30 mm
	1600240	Screen 30 x 30 mm
	1600280	Screen 90 x 30 mm
81	1600141	Legs (4)
	2310508	Air filter for Honda GXV340, new model
		Air filter for Honda GV400, old model
	1601034	Straw thrower, shredder knives, centre knives and bolts for petrol
	1601035	Same for electric motor
	1601037	Hammers, hammer bolts, striking plate, distance rings and bolts for shredders with screen
	1601038	Same for shredders without screen

**Spare parts drawing cutter type JIK TURBO**



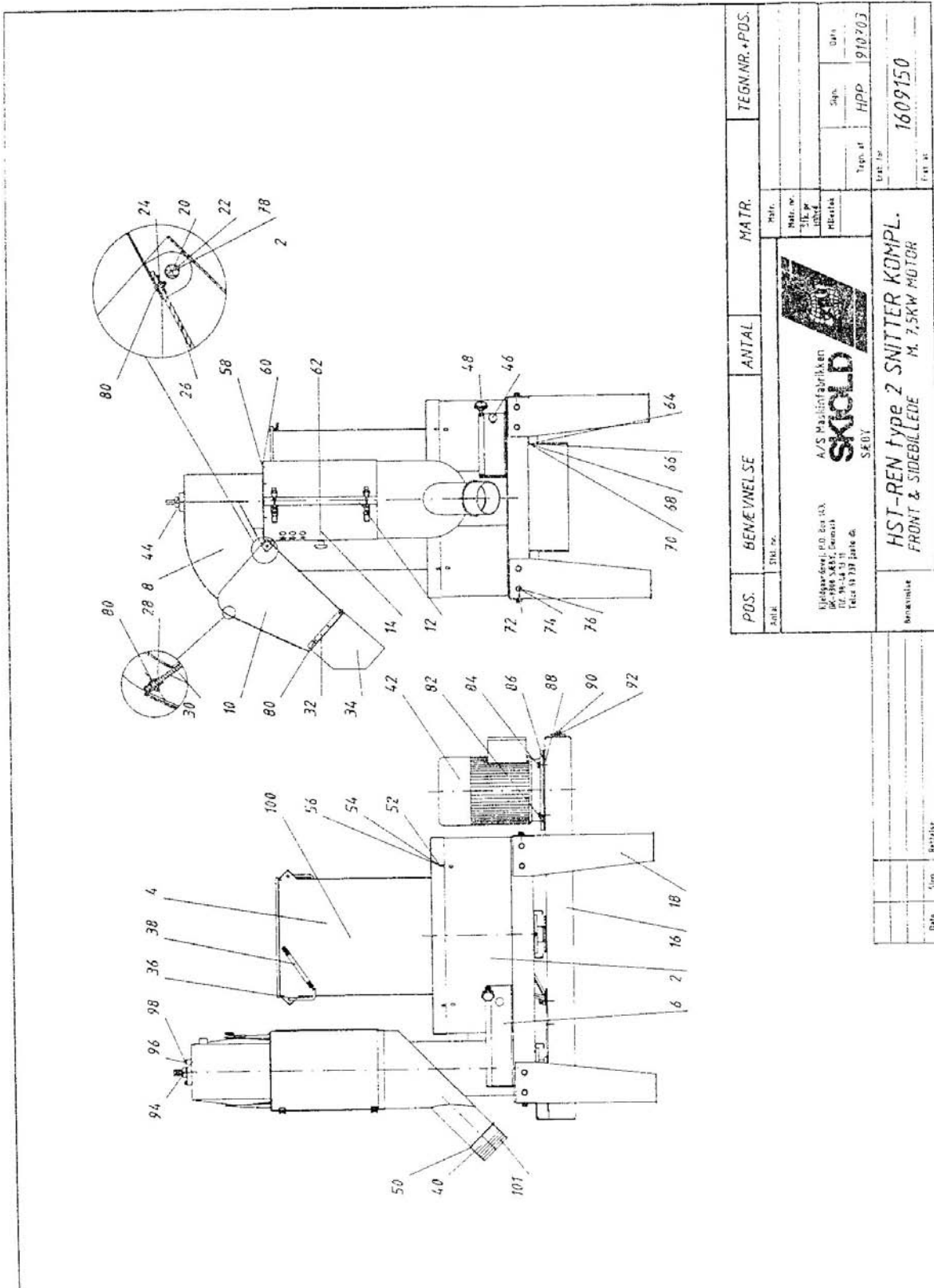
Spare parts drawing cutter type JIK TURBO



**STRAW SHREDDER TYPE JIK CLEAN**

38	1603710	Tension spring for hatch
42	2320095	Motor 7.5 kW 1500 rpm
44	6407063	Flange bearing 25 mm
90	6000478	Set screw M12 x 150 (2)
104	1601360	Rotor
106	121001	Hammer bolt (4)
108	1601380	5 mm shredder plate
112	1601400	Bracket (4)
120	1601530	Screen 90 x 30 mm
122	1603480	Rotor shaft 40 mm
124	1601760	12 short hammer knives (for cutter with screen)
	1601770	4 short hammer knives (for cutter without screen)
	1601780	8 long hammer knives (for cutter without screen)
126	1603500	Distance ring (8)
128	1603510	Centre knife
130	914031	Parallel key 10 x 8 x 50
132	1603520	Intermediary ring for rotor shaft
138	183005	Parallel key 12 x 8 x 63
160	1603740	Centre bolt with left-hand thread
162	1602550	Shredder knife
164	1601720	Set straw thrower
166	1604510	Flange bearing 40 mm (3)
	1604790	Brush for paper shredding (4)
168	2700028	Rigging screw (2)
170	1601171	Tension roller
172	2530066	V-belt B-66 (2)
174	6802143	Air hose 1.5 m
176	2700085	Grease nipple (3)
178	6802141	Single union (6)
180	6802142	Bulkhead passage (3)
198	6004189	Allen screw M6 x 8 MK (4)
230	6000416	Screw M8 x 10 St. 10.9 (2)
234	6000416	Screw M8 x 10 St. 10.9 (4)
235	6000416	Screw M8 x 10 St. 10.9 (2)
	1601033	Straw thrower, shredder knives, centre knives and bolts
	1601037	Hammers, hammer bolts, striking plate, distance rings and bolts

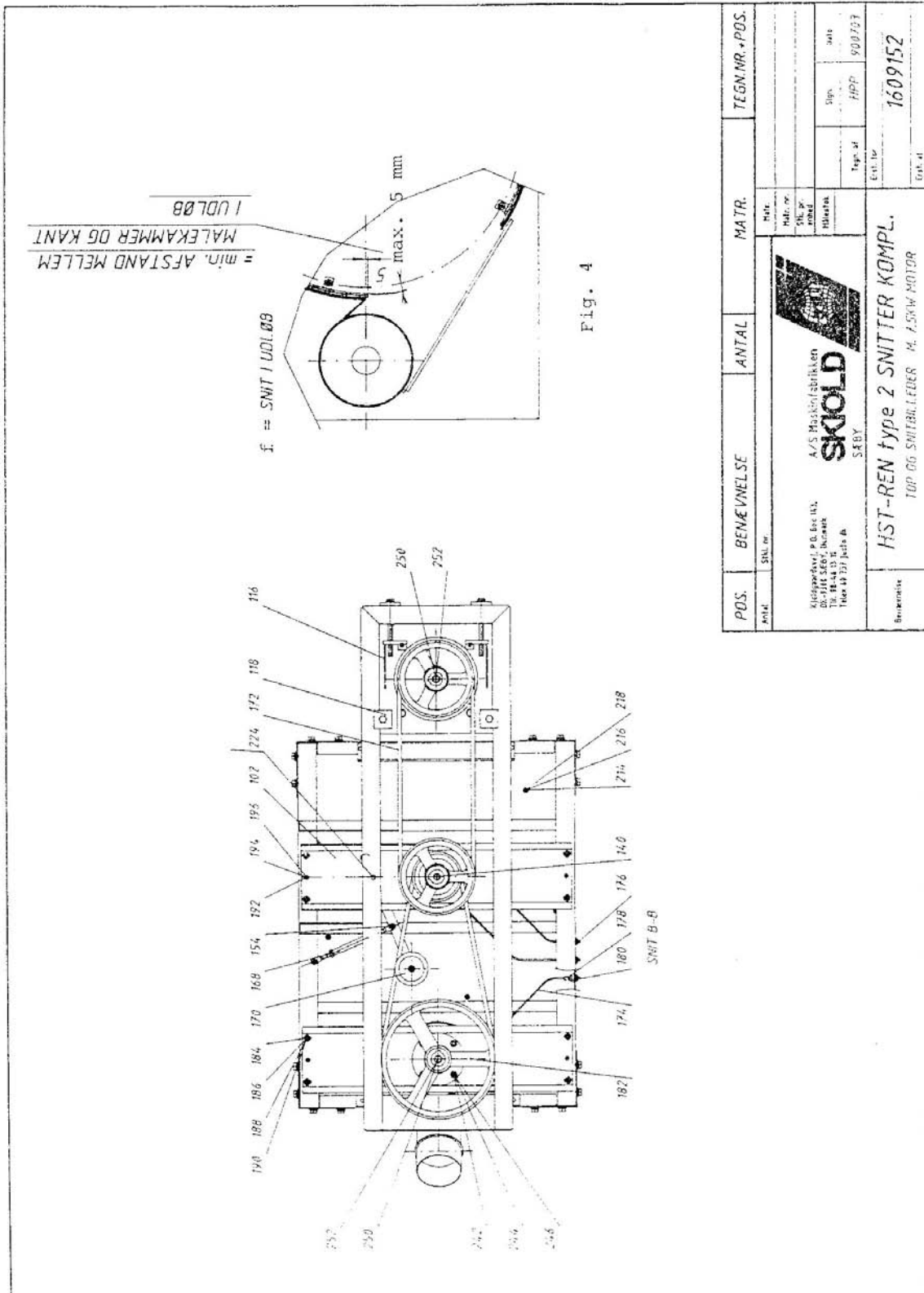
Spare parts drawing No. 1609150 – shredder type JIK CLEAN







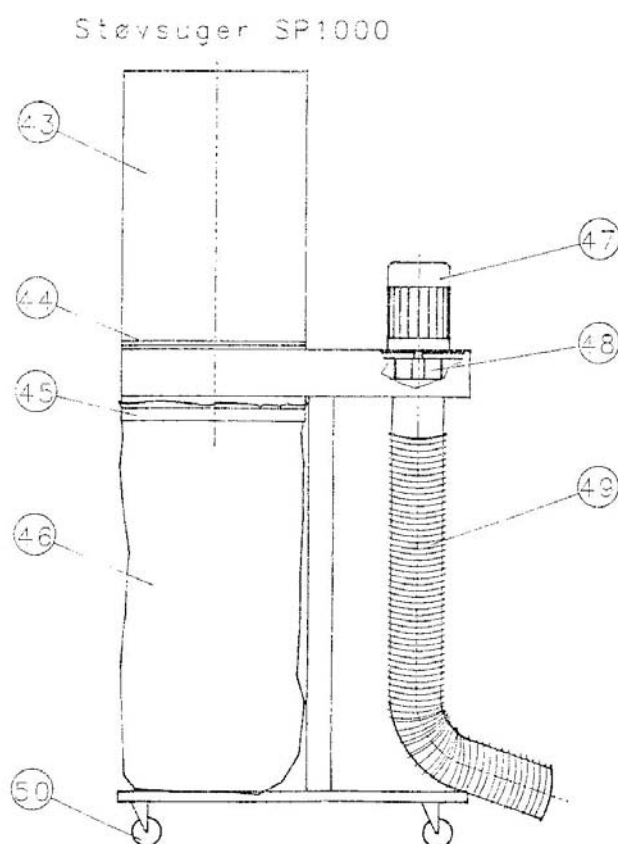
Spare parts drawing No. 1609152 – shredder type JIK CLEAN



## DUST SEPARATOR TYPE SP1000

43	8100003	Dust filter
44	8100004	Filter belt
45	8100005	Sack belt
46	8100006	Plastic bag
49	1850003	Multiflex hose 120 mm

### Spare parts drawing

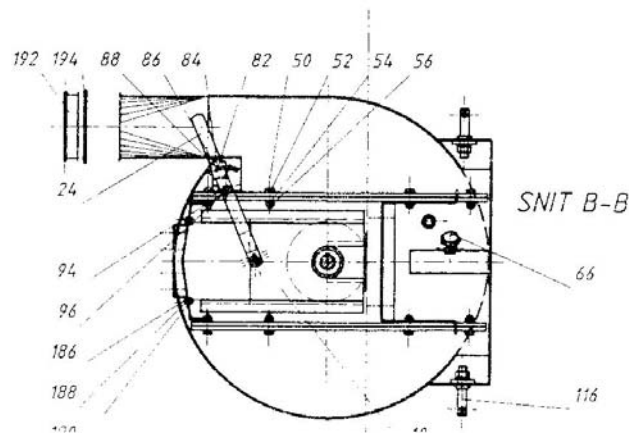
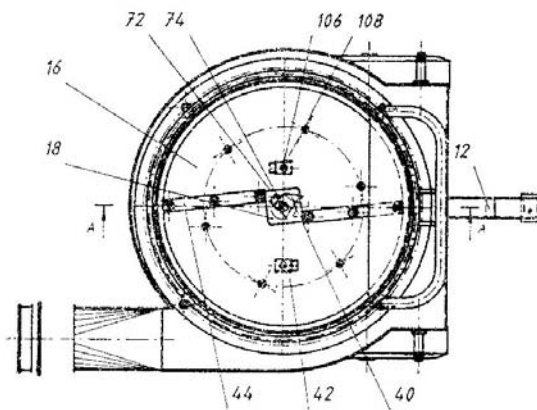
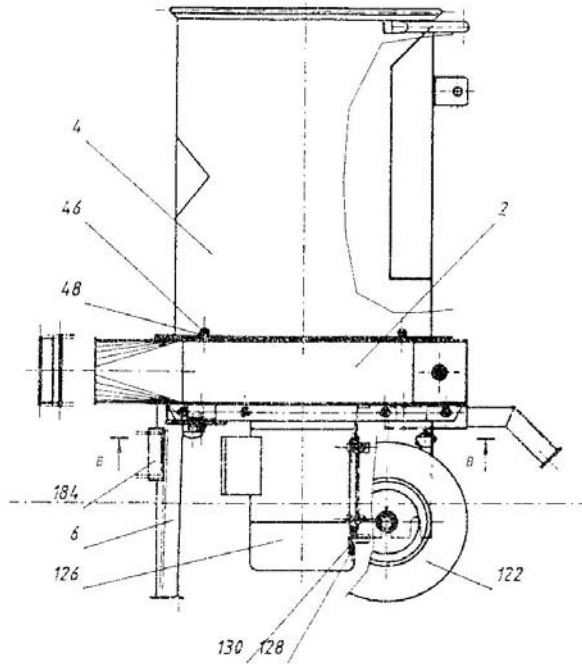




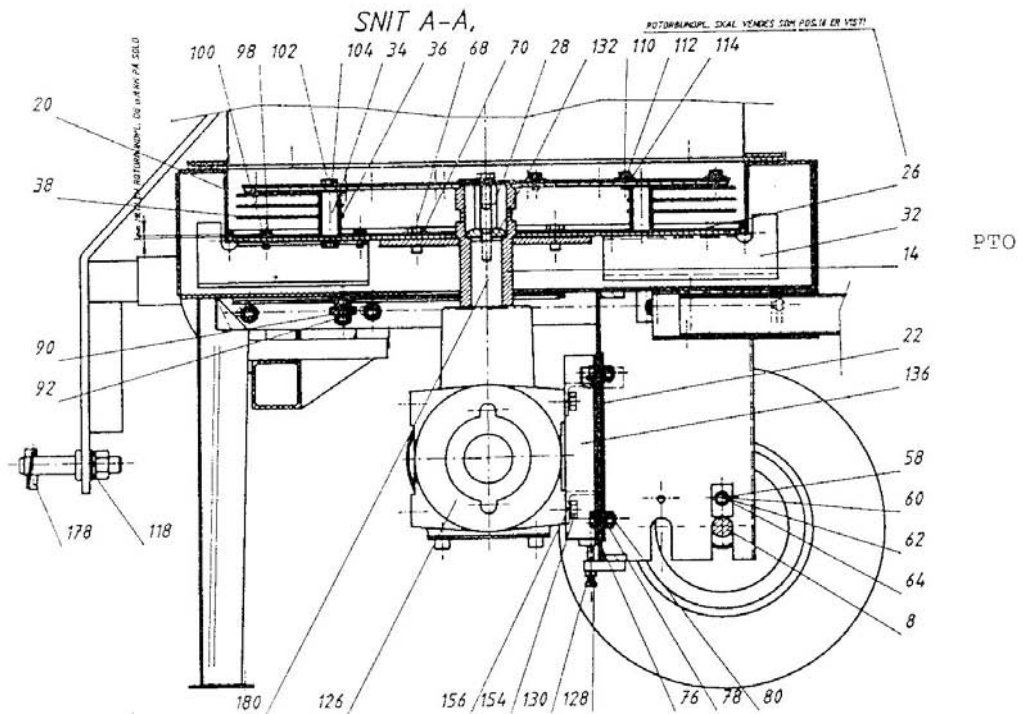
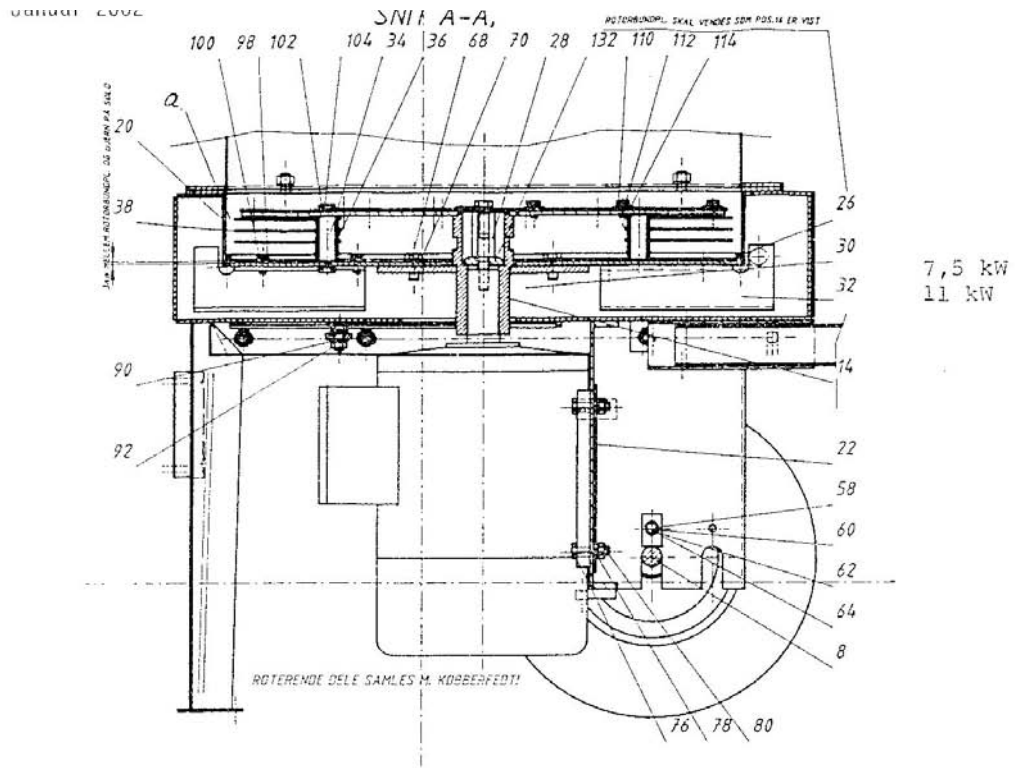
## STRAW SHREDDER TYPE JIK WIND

2	1601000	Housing
4	1601024	Inlet hopper
8	1601040	Loose wheel shaft
14	1601070	Rotor hub 7.5 kW PTO
	1601250	Rotor hub 11 kW
16	1601080	Top plate for rotor
18	1601090	Centre plate 7.5 kW PTO
20	1600044	Screen 30x30 mm
26	1602470	Bottom plate for rotor
28	1602480	Centre bolt 7.5 kW PTO
	1602660	Centre bolt 11 kW
30	1602490	Small fan wings, 7.5 kW, set
32	1601170	Big fan wings 7.5 kW with screws
	1601170	Big fan wings 11 kW PTO with screws (2)
34	1602510	Hammer bolt (6)
36	1602520	Distance ring (24)
38	1602530	Hammer knives, set consisting of 18
40	1602540	Centre knife
42	1602550	Shredder knives (2)
44	1601740	Straw thrower, set
66	6302009	Hand wheel
68	6000464	Steel set screw (4)
122	6900220	Rubber wheel (2)
126	2320068	Motor 7.5 kW 1500 rpm
	6801015	Angle gear PTO
	2320069	Motor 11 kW 1500 rpm
132	1602680	Centre disc 11 kW
	216114	Centre disc 7.5 kW PTO
148	1602880	Centre disc PTO
170	6205020	Tractor split (2)
180	1604360	Parallel key
192	1810067G	Connection
194	1820028	Ø 150 mm clamp
	1601036	Hammer set complete with hammers, hammer bolts, striking plate, distance rings and bolts
	1601032	Straw thrower, shredder knives, centre knives and bolts

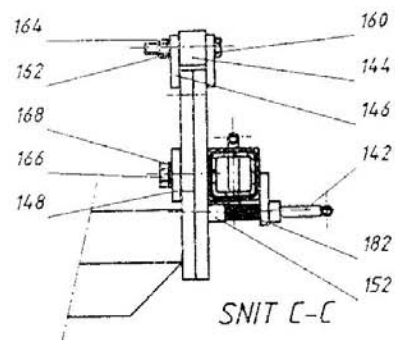
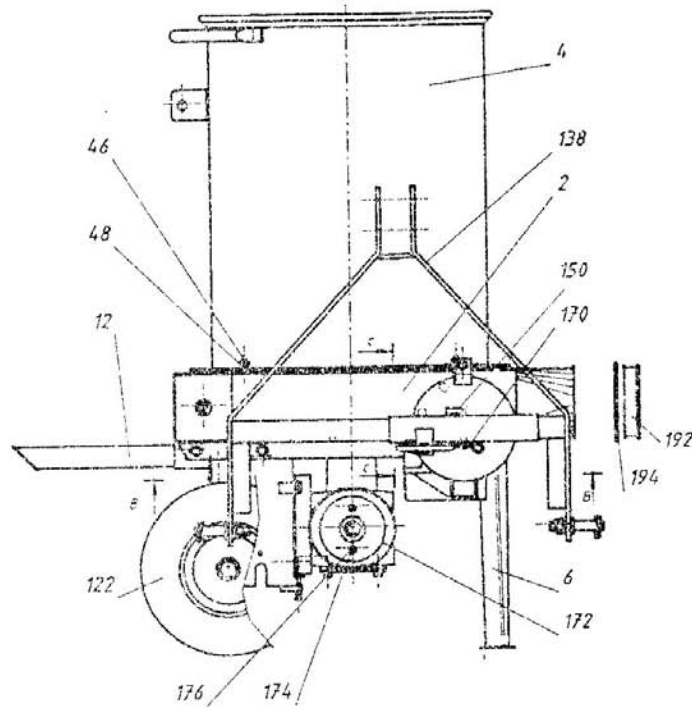
Spare parts drawing shredder type JIK WIND



Spare parts drawing shredder type JIK WIND

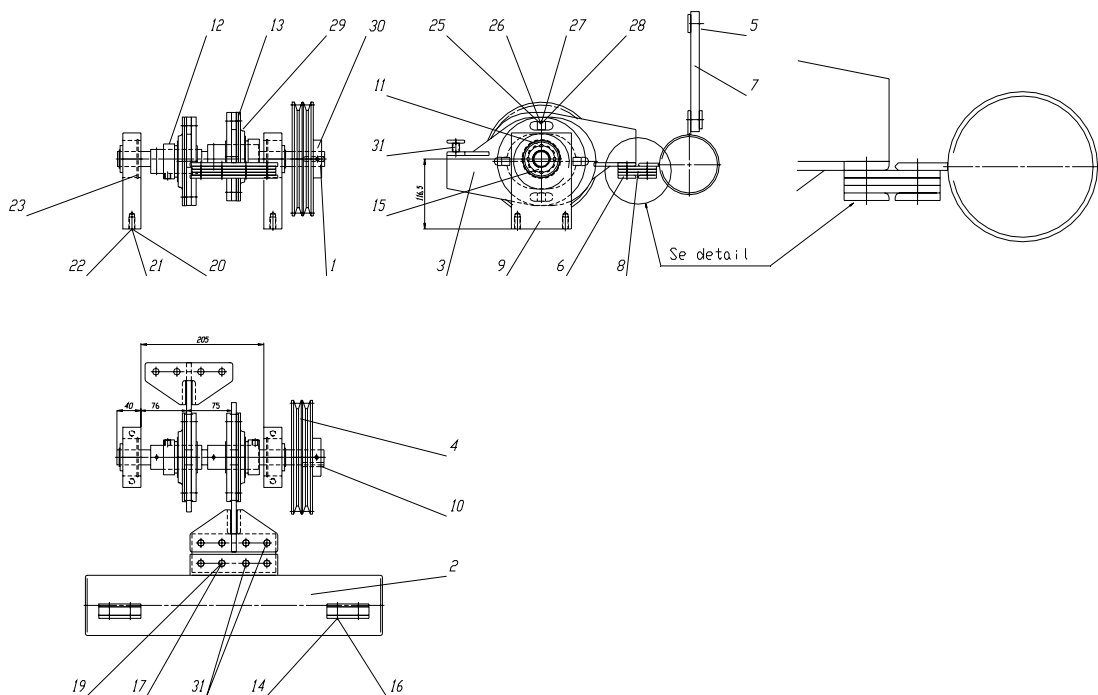


Spare parts drawing shredder type JIK WIND



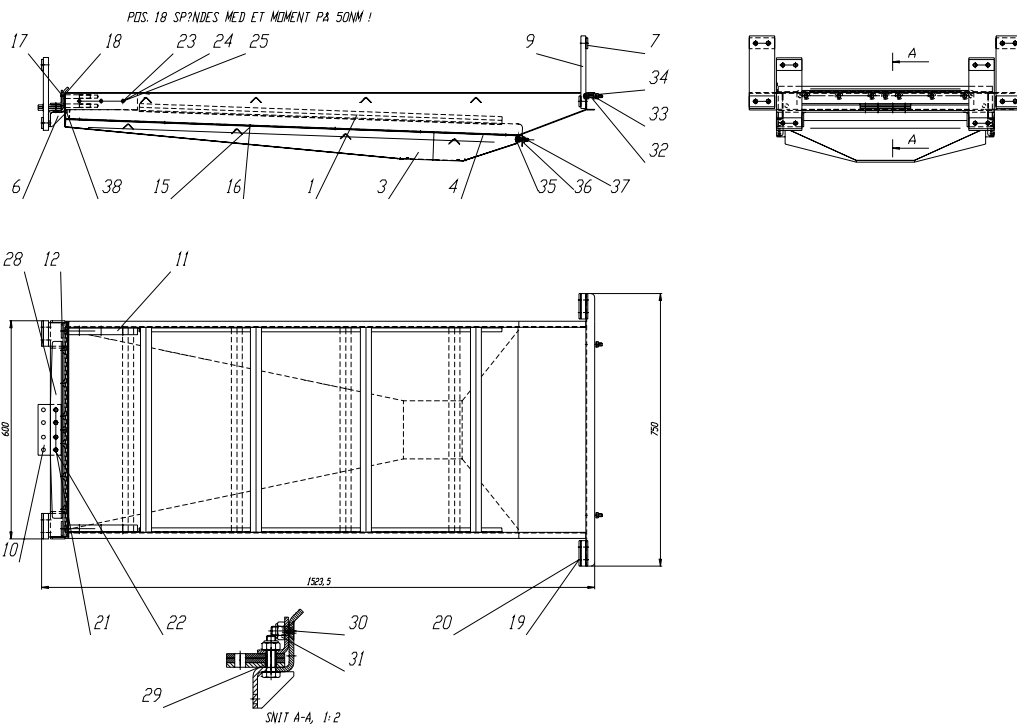
**SCREEN CLEANER, OLD MODEL**

0	201206	Eccentric shaft complete (1)
1	1511091	Eccentric shaft (1)
4	2430090	V-belt pulley taperlock (1)
7	1515057	Suspension belt (2)
8	1515058	Oscillation belt (3)
9	206315	Bearing housing (2)
11	6404040	Spherical ball bearing (2)
12	6407071	Ball bearing (2)
13	6407072	Bearing housing half (4)
14+17	6000459	Steel set screw (20)
15	6405074	Split bushing for bearing (2)
16+19	6001015	Lock nut (20)
20	6000456	Steel set screw (4)
23	6301060	Seeger circlip ring (2)
30	2430091	Taperlock bushing for V-belt pulley (1)
31	1515233	Bushing for oscillation belt (12)



**SCREEN CLEANER (drawing 209033)**

9	1515057	Suspension belt (4)
10	1515058	Oscillation belt (3)
21	6000459	Steel set screw (4)
22	6001015	Steel lock nut (4)
29	1515233	Bushing for oscillation belt (8)



**SCREEN CLEANER, NEW MODEL**

8	206403	Eccentric (4)
10	206405	Connecting plate right (2)
11	206406	Connecting plate left (2)
12	206407	Tension spring (4)
24	2340133	Motor 0.55 kW, 900 RPM (1)
26	2420076	Taperlock 1610 ø 30 (1)
27	2430124	Taperlock 1210 ø 19 (1)
28	2430120	Belt pulley SPZ140-2-2012 (1)
29	2430121	Belt pulley SPZ 75-2-1210 (1)
30	2430122	V-belt SPZ 1287 (1)
47	6407055	Flange bearing (2)
48	6407056	Flange bearing housing (8)
49	6407098	Bearing GE 50 KRRB (4)
50	1515057	Suspension belt (8)

**Upper Screen:**

200116	Complete screen frame upper with cleaning balls without screen (1)
201261	Screen ø 10 x 30 (2)
201255	Screen ø 6 (2)
201256	Screen ø 8 (2)
201257	Screen ø 10 (2)
201258	Screen ø 4 x 20 (2)
201259	Screen ø 6 x 25 (2)
201260	Screen ø 8 x 25 (2)

**Lower Screen:**

200116	Complete screen frame lower with cleaning balls without screen (1)
201252	Screen ø 1.5 x 20 (2)
201253	Screen ø 2.0 x 20 (2)
201254	Screen ø 2.5 x 20 (2)
201268	Screen ø 1 (2)
201269	Screen ø 1.5 (2)

Note: Screen frames for upper and lower screens are the same, but at mounting of screens on the upper screen frame, an extension plate should be mounted, ensuring that overflows are led to outlet for overflow.

Spare parts drawing screen cleaner, new model

