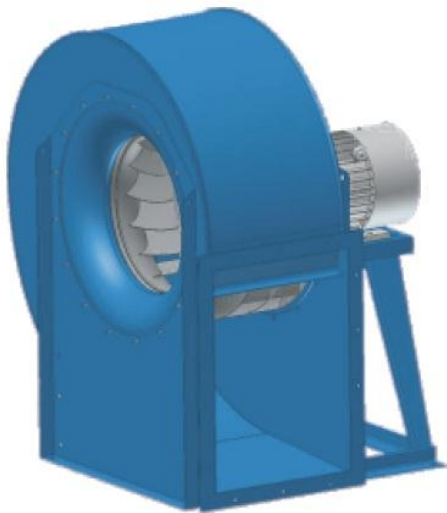


Ventilatoren Air Jet ASAJg



Technical information:

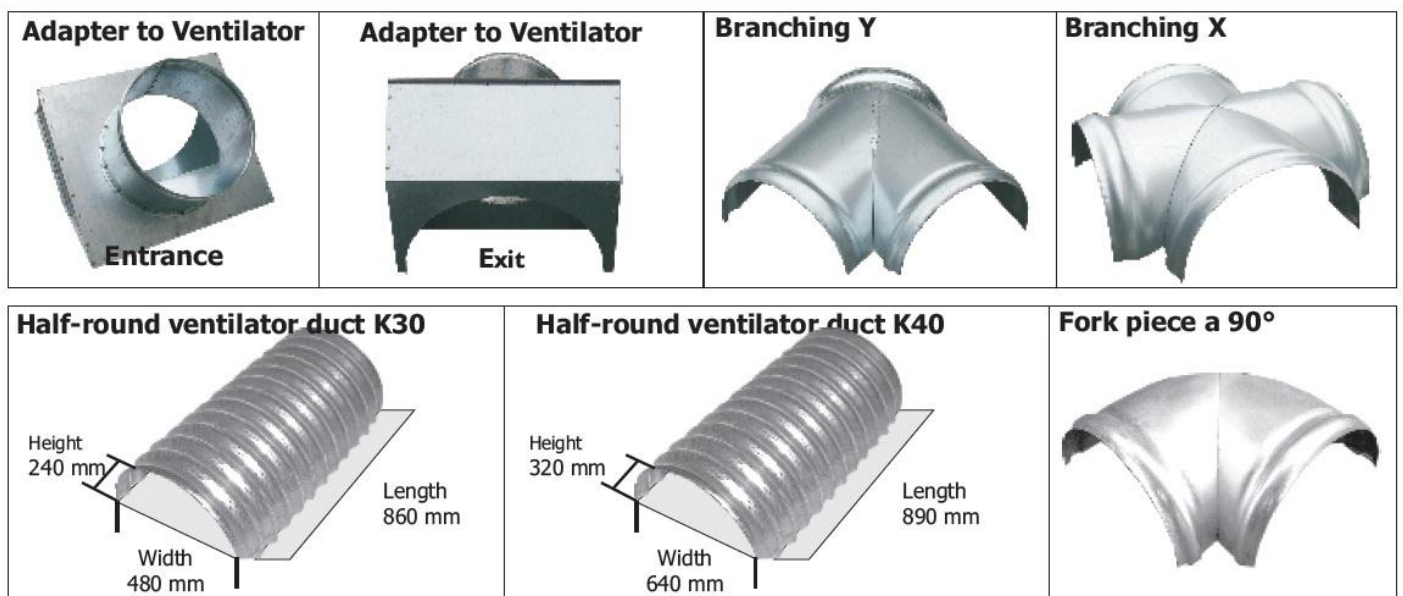
- Different diameters of ventilator outlets are available on request.
- The ventilator housing is powder-coated and is protected very well against corrosion
- Powerful air flow provides excellent ventilation.
- Compatible for all common methods of ventilation
- Excellent alternative to galvanized ventilators
- Ventilators are also available with chassis for extra mobility

Ventilators are complete with hoses, connectors and instep tapes. Special connectors are available on request.

Item number	4009029015 -	676	691	677	692	678
Type ASAJg		RL 630	RL 710r	RL 710	RL 800r	RL 800
Motor output	kW	7,5	11	15	18,5	22
Motor speed	1/min	1500	1500	1500	1500	1500
Air quantity at 1400 Pa	m ³ /h	12000	21500	24500	34000	38000
Air quantity at 1000 Pa	m ³ /h	19000	25500	31000	39000	47500
Sound pressure level	dB(A)	75	78	79	81	83
Weight incl. Motor	kg	220	330	340	420	440

Half-round ventilation ducts AIR Gigant

A complete range of half-round ventilation ducts, made from galvanized perforated metal sheet, provides a comprehensive and effective ventilation system. Available in versions K30 and K40, with diameters of 300 and 400 mm. These perforations are suitable for rape, grain and potatoes. They are laid out straight on the floor of the store or silo. It is a simple and economic system which carries weights up to 15 m of the stored product. On request we can also supply you with versions K50 and K60, which are suitable for diameters of up to 500 mm.



Telescope ventilation pipes



- Optional extra - air tight connector between the pipe outlet and the store wall outlet

Introduction and use of the telescope

	<p>The telescopic pipe is laid out on the floor before filling the store. This process can be achieved easily and quickly by one man.</p>	<p>When the store is full, the correct ventilator can be fitted externally to the pipe.</p>
<p>Before emptying the store, the telescopic pipe can be completely retracted with the aid of a tractor or winch, thus minimising the risk of damage to the pipes.</p>	<p>It is also possible to continue ventilation even though the pipe is only partially retracted</p>	<p>After completely retracting the pipe, the store can be emptied without risk of damage</p>

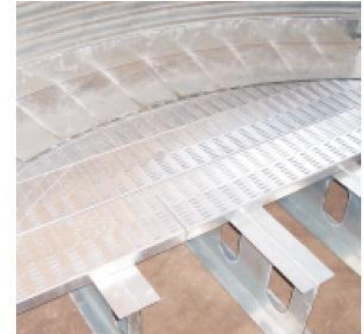
Technical qualities*

Telescope ventilation pipe	min. Length	max. Length	Weight	
4 m	2,04 m	3,92 m	42 Kg	- Ideal for ventilation of all grain, including Oilseed Rape
6 m	2,08 m	5,84 m	60 Kg	
8 m	2,12 m	7,76 m	75 Kg	- All pipe connections are 300mm
10 m	2,16 m	9,68 m	90 Kg	- All pipes are manufactured from reinforced galvanised steel which make them strong enough to withstand storage depths of up to 6m
12 m	2,20 m	11,60 m	103 Kg	
14 m	2,24 m	13,52 m	117 Kg	
16 m	2,28 m	15,44 m	129 Kg	
18 m	2,32 m	17,36 m	140 Kg	- Available from 4 - 30m lengths. Ranging from 2 sections up to 15 sections per unit.
20 m	2,36 m	19,28 m	150 Kg	
22 m	2,80 m	21,5 m	162 Kg	
24 m	2,84 m	23,42 m	174 Kg	
26 m	2,88 m	25,34 m	187 Kg	- Easy to extend the total length by fitting additional 1m sections
28 m	2,92 m	27,26 m	200 Kg	
30 m	2,96 m	29,18 m	214 Kg	
continuation 1 m			10 Kg	

*die indicated qualities are subjected to changes for the constant improvement of our products, therefore, they are to be considered as temporary.

Airfloor - an Innovative Bin Aeration Floor

Removable planks allow easy cleaning of the plenum chamber
Non clogging perforation



Aeration floor for round bins is patented and has a certified static

Perforated planks and support carry a .. Year warranty

Perforated floor is designed for aeration, ventilation, low-temperature drying and chilling of cereals, grain legumes and oil seeds

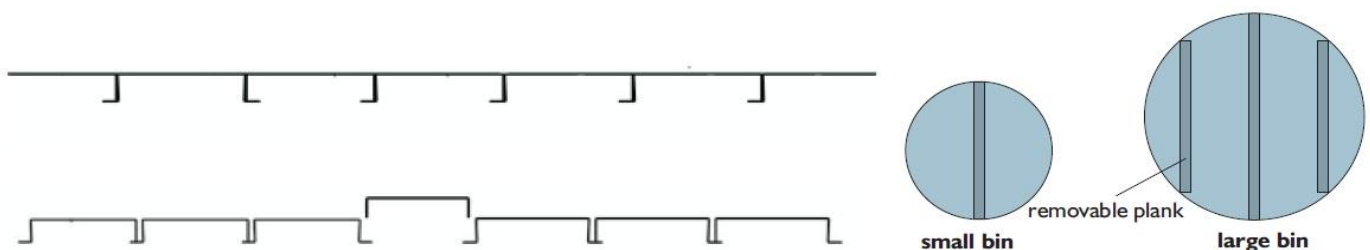
Aeration floors are available for bin diameters from 6 to 16 m with eave heights up to 10 m

Aeration floor guarantees uniform air distribution and equal air pressure underneath the perforated floor

Perforated floor and plenum chamber can easily be cleaned by partly removing of the planks

Special design of the perforation prevents clogging

Removable Planks



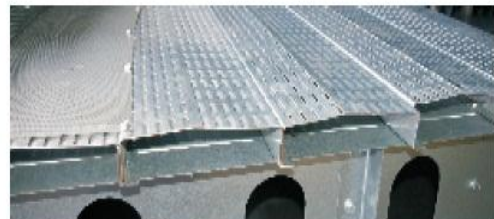
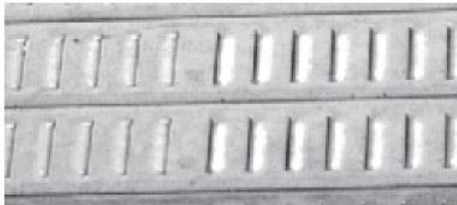
Floor Planks

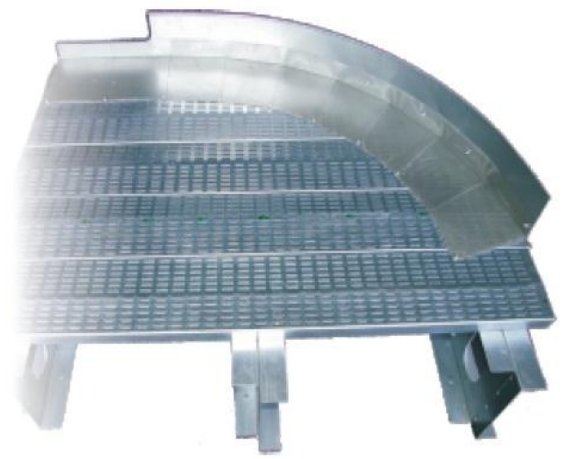
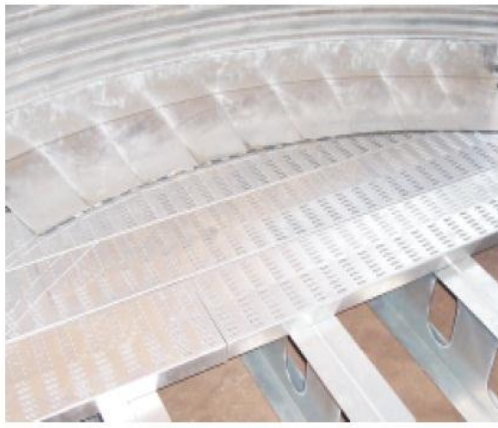
Planks are produced from high-tensile 1,3 mm steel sheets for great strength

- Extreme strength-giving design prevents deformation and allows bin loading up to 10 m.
- Galvanized coating prevents corrosion and guarantees long lasting durability
- Planks are precisely formed with computer driven accuracy
- **Slots** are punched with high precision by computer controlled punching machines
- Planks are available in 200 mm width and length
- Floor is designed with 17 % air opening which results in low airflow resistance
- Louvered perforations prevent fines and small kernels from dropping through
- Less blocking of the perforation by kernels and broken
- Planks fixed with screws or rivets on the support
- Removable planks can be dismantled by lifting with handle
- Plenum chamber can be easily cleaned with vacuum cleaner

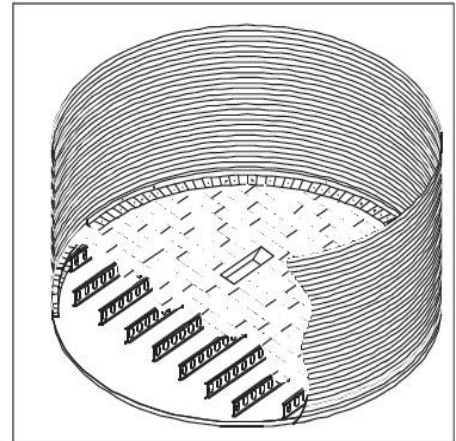
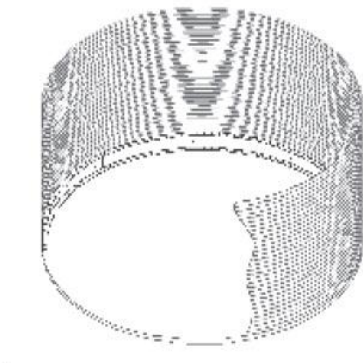
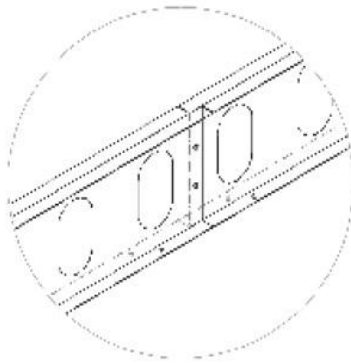
Non Clogging Planks

Perforation makes the difference





Bin Floor Support



support wall flashing perforated plank

- Support system is designet specially for aeration planks
- Support are available to provide floor heights of 335 to ... mm (..inch)
- Floor clearance ist sufficient for unloading with 300 mm auger or chain conveyor
- Supports are fixed on concrete platform by screws and dowels to eliminate movement during installation and loading.
- Uneven concrete flooring can be compensated by ...
- Floor supports can easily assembled

Technical Data

Perforated Planks

Standard Plank Type ... Removable Plank Type

· Material thickness	1.2 mm
· Width of plank	180 mm
· Length of plank	3000 mm
· Height of plang	30 mm
· Openings	17 %
· Slut ...	1.3 mm
· Length of slut	80 mm

Wall Flasching Type

· Material thickness	1,2 mm
· Width of flashing	180 mm
· Length of flashing	3000 mm
· Height of flashing	30 mm
· Openings	17 %
· Hole diameter	1.3 mm

Bin Floor Support Type

· Material thickness	1,2 mm
· Width of support	180 mm
· Length of support	3000 mm
· Height of support	345 mm